

INVOIC

EDIFACT MESSAGE

**Guidelines of e-invoice to ABB Sweden according to
EDIFACT INVOIC Version D.96A**




Type des.	Part no.			
Prep. COFI/SASL / Bengt Geverts 2008-10-14	Doc. kind Technical Specification			No. of p.
Appr. COFI/SASL / Bengt Geverts 2011-03-08	Title D96A Specification version 3.4			28
Resp. dept COFI/SASL Approved				
 ABB AB	Doc. no. 9ADG112101	Lang. en	Rev. ind. E	Page 1

TABLE OF CONTENT

1	Introduction	3
1.1	General	3
1.2	Mandatory fields in an invoice.....	3
1.3	Other clarifications.....	4
1.4	Test Procedure.....	4
2	Contacts.....	5
3	File structure	6
4	INVOIC Message-definition [head-section]	7
4.1	UNA	7
4.2	UNB Interchange Header.....	7
4.3	UNH Message Header.....	9
4.4	BGM Beginning of Message	9
4.5	DTM Date/Time/Period	10
4.6	FTX Free Text	10
4.7	RFF Reference	11
4.8	NAD Name and Address.....	11
4.9	FII Financial institution information.....	12
4.10	RFF Reference	13
4.11	CTA Contact information.....	13
4.12	COM Communication contact	14
4.13	CUX Currencies.....	14
4.14	PAT Payment terms.....	15
4.15	DTM Date/Time/Period	15
4.16	ALC Allowances and charges	16
4.17	PCD Percentage details.....	16
4.18	MOA Monetary Amount	16
5	INVOIC Message-definition [line-section]	17
5.1	LIN Line Item	17
5.2	PIA Additional Product Id	17
5.3	IMD Item description.....	18
5.4	QTY Quantity.....	18
5.5	DTM Date/Time/Period	19
5.6	FTX Free text	19
5.7	MOA Monetary Amount	20
5.8	PRI Price information.....	20
5.9	RFF Reference	21
5.10	TAX Duty/tax/fee details	21
5.11	MOA Monetary Amount	22
6	INVOIC Message-definition [summary-section].....	22
6.1	UNS Section control	22
6.2	MOA Monetary Amount	23
6.3	TAX Duty/tax/fee details	24
6.4	MOA Monetary Amount	25
6.5	ALC Allowance and charges	25
6.6	MOA Monetary Amount	26
6.7	UNT Message Trailer.....	26
6.8	UNZ Interchange Trailer	26
7	Example of INVOIC-message.....	27

1 Introduction

1.1 General

This specification provides the definition of the invoice message “INVOIC” to be used in Electronic Data Interchange (EDI) between trading partners involved in administration, commerce and transport. Within this document ABB will define in detail how the message needs to be filled.

All segments at this moment used by ABB are described according the physical sequence in which they are processed by ABB. The basis of this application is the EDIFACT message entitled INVOIC on version EDIFACT D96A

ABB will reserve the right to add segments or to fill additional fields in existing segments in case this might improve the data exchange with suppliers. EDIFACT rules will be applicable to these modifications. Suppliers will be informed in advance of all future modifications.

Detailed application

The following section includes only those segments used by ABB.

Dependent segments

Under each segment heading, we are giving instructions on how to use. Some segments may only be used after special agreement.

Dependent data elements

Under each data element heading we specify the valid conditions.

Explanation of codes used in the Message-definition

Under EDIFACT Attributes column

M – Mandatory according to the international EDIFACT standard

C – Conditional according to the international EDIFACT standard

Under ABB Attributes column

R – Required according to ABB demands

D – Dependent according to ABB demands

O – Optional according to ABB demands

N – Not used by ABB


1.2 Mandatory fields in an invoice

Principally EU directive 2001/115/EG for information in the invoices is valid.

This directive specifies 14 mandatory fields which have to be present on all invoices.

These are:

1. Date of invoice issuance.
2. Invoice identification number.
3. VAT registration number of the VAT-payer (normally the seller)
4. VAT registration number of the buyer.
5. Complete name & address to both buyer and seller.

	ABB AB	Doc. no. 9ADG112101	Lang. en	Rev. ind. E	Page 3
---	--------	------------------------	-------------	----------------	-----------

6. Description and amount of delivered goods or services.
7. Date of delivery.
8. Taxable amount for each VAT rate.
9. Applied VAT rate.
10. The VAT to be paid.
11. Reference to Swedish law or EU directive in cases of tax-relief.
12. Information on type of transport means on a transport invoice.
13. Reference to the appropriate provision in Directive 2006/112 when a system where a “margin scheme” applies. (I.e. second-hand goods, antiques, works of art, collectors’ items)
14. Tax representative (“VAT Agent”) name, address and VAT registration number when necessary.

The following information is also required by ABB and necessary in order to correctly receive process and finally pay the invoices:

- **The invoice receivers’ VAT No.** – Used for identify which ABB unit/company that is the receiver of the invoice.
- **The invoice receivers’ PO Box No (or Fe No).** – used for identify which ABB unit/company that is the buyer and the final receiver of the invoice.
- **Buyers reference** (Purchase Order No) – Mandatory if given by ABB at the purchase
- **Buyers reference** (contact person) – Mandatory if not Purchase Order No. is used. May be given together with Purchase Order No.

Information about invoice receiver, VAT No. and PO Box No. for the different Swedish ABB-units can be found at:

<http://www.abb.se/cawp/seabb361/a66d93ce25c2eca6c125748d002c0dd7.aspx>

1.3 Other clarifications


Additional costs (except from freight, packing and currency rounding (öres-avrundning)) have to be specified as separate invoice lines

Discounts per invoice lines. Use free text (FTX) for information and specification.

1.4 Test Procedure

The test procedure is described in documentation that could be found at

<http://www.abb.se/cawp/seabb361/ab84745e8490111dc125748d002c0dc1.aspx>

	ABB AB	Doc. no. 9ADG112101	Lang. en	Rev. ind. E	Page 4
---	--------	------------------------	-------------	----------------	-----------

2 Contacts

ABB AB

Main contact Invoices:

Utredningsgruppen


Tel: +46 (0)21 34 88 66

E-Mail: efaktura@se.abb.com

Strålfors AB (Customer Service Sweden)

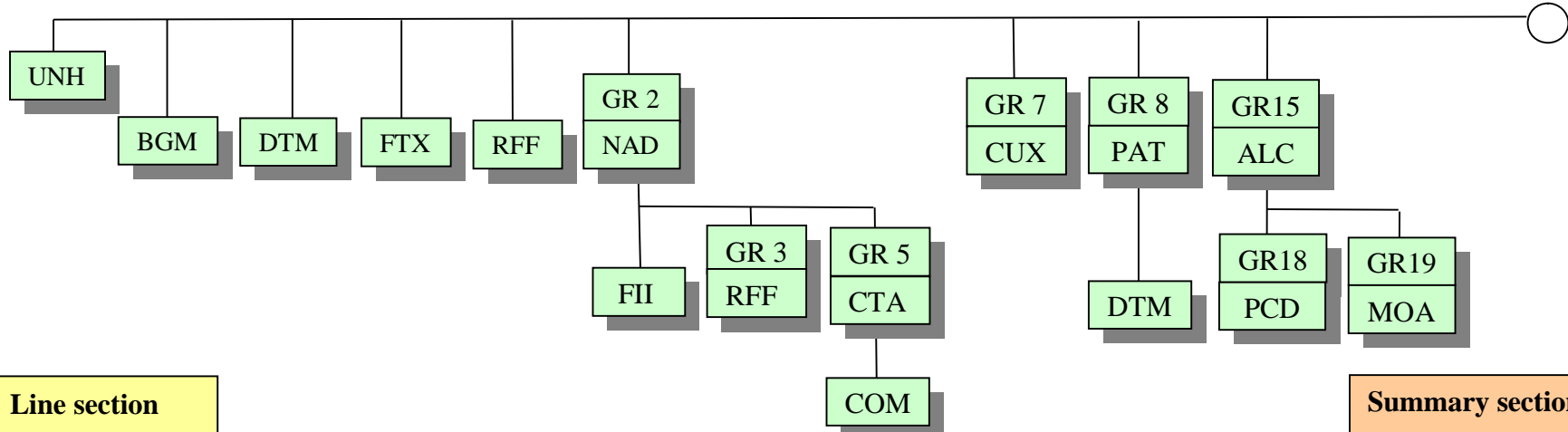
Tel: +46 (0) 20 53 53 51

Email: Customer.Service@Stralfors.se

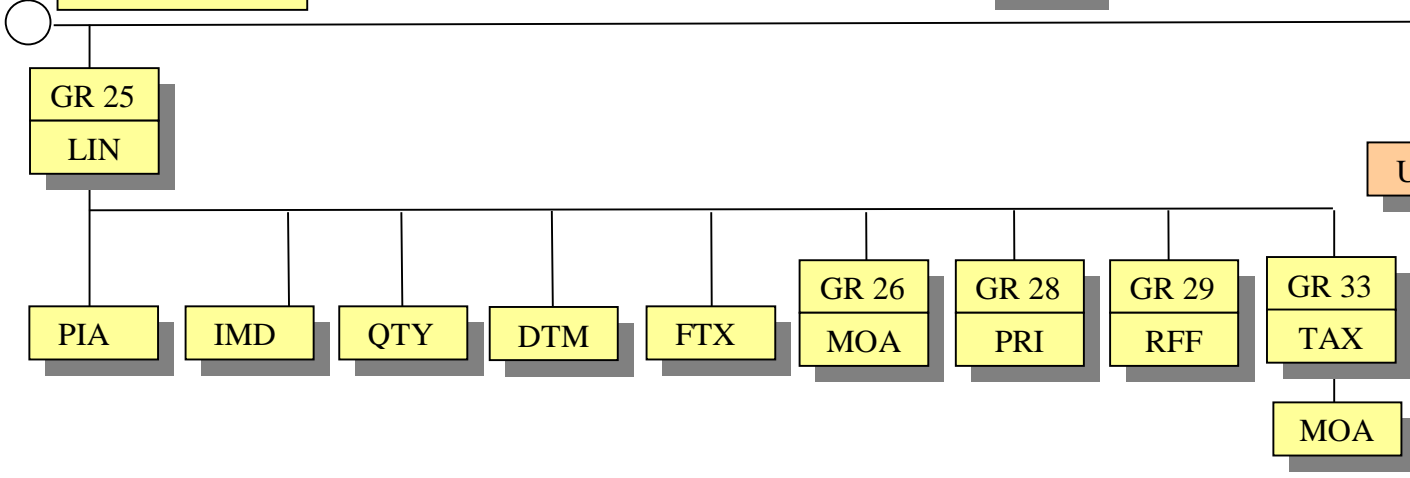
	ABB AB	Doc. no. 9ADG112101	Lang. en	Rev. ind. E	Page 5
---	--------	------------------------	-------------	----------------	-----------

3 File structure

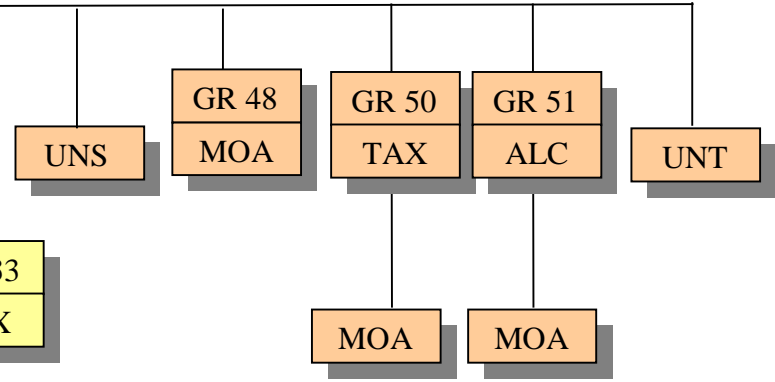
Head section



Line section



Summary section



4 INVOIC Message-definition [head-section]

4.1 UNA

Group:
Usage: M
Max Use: 1
Purpose: A service segment carrying the list of delimiters used to parse the various elements of EDIFACT message. The list of delimiters used in the EDIFACT message is indicated using this UNA segment. The UNA segment is followed by the six unique delimiters used in the EDI payload and is shown below.
Example: **UNA:+.?'**
ABB *UNA segment is mandatory and have to indicate . (period) as decimal delimiter*

In this,
: (colon) Sub-elementseparator
+ (plus sign) Element Separator
. (period) Decimal Notation
? (question mark) Release Indicator
(space) Repetition Separator
' (single quote) Segment Terminator.

4.2 UNB Interchange Header

Group:
Usage: M
Max Use: 1
Purpose: A service segment starting, uniquely identifying and addressing an interchange (one or more EDI-messages) like an envelope
Example: UNB+UNOC:1+7365562392462:ZZ+SE04800015260:01+080808:0808+50325419085023'

Data Element Summary

Data Element	Component Element	Name	EDIFACT Attributes	ABB Attributes
S001		SYNTAX IDENTIFIER	M	R
	0001	Syntax identifier "UNOC"	M an.,4	R
	0002	Syntax version number Indication of the syntax version used for this message. 1 - EDIFACT syntax version 1	M n..1	R
S002		INTERCHANGE SENDER	M	R
	0004	Sender identification Communication number of the party originating the message.	M an.,35	R
	0007	Identification code qualifier Qualifiers to be determined by trading partner relationship.	C an.,4	O
	0008	Address for Reverse Routing Sub-address for reverse-routing	C an.,14	O

S003		INTERCHANGE RECIPIENT	M	R
	0010	Recipient identification Communication number of the party receiving the message. 7365562392462 – ABB Sweden	M an,,35	R
	0007	Identification code qualifier TEST – Test via Strålfors test application ZZ - Test to ABB’s test environment 14 - Production state Please refer to ABB’s test procedure documentation	C an,,4	R
	0014	Routing address Sub-address for reverse-routing	C an,,14	N
S004		DATE / TIME OF PREPARATION	M	R
	0017	Date of preparation In format “YYMMDD”	M n,,6	R
	0019	Time of preparation In format “HHMM”	M n,,4	R
0020		Interchange Control Reference Reference number assigned by the sender of the message. This number must uniquely identify each interface and must be unique within an inventory year.	M an,,14	R
0026		Application reference	C an..14	N
0029		Process Priority, coded	C a1	N
0031		Acknowledgement Request, coded	M n..6	N
0032		ID For Communication Agreement	C an..35	N
0035		Test Indicator	C n1	N

4.3 UNH Message Header

Group:

Usage: M

Max Use: 1

Purpose: A service segment starting and uniquely identifying a message. The message type code for the INVOIC message is INVOIC

Example: UNH+2346+INVOIC:D:96A:UN'

Data Element Summary

Data Element	Component Element	Name	EDIFACT Attributes	ABB Attributes
0062		MESSAGE REFERENCE NUMBER Unique message reference assigned by the sender.	M an..14	R
S009		MESSAGE IDENTIFIER Identification of the type, version etc. of the message being interchanged.	M	R
	0065	Message type identifier Code identifying a type of message and assigned by its controlling agency. INVOIC - message	M an..6	R
	0052	Message type version number Version number of a message type. D - Message version number	M an..3	R
	0054	Message type release number Release number within the current message type version number (0052). 96A - Message release number	M an..3	R
	0051	Controlling agency Code identifying the agency controlling the specification, maintenance and publication of the message type. UN - UN/ECE/TRADE/WP.4, United Nations Standard Messages (UNSM)	M an..2	R

4.4 BGM Beginning of Message

Group:

Usage: M

Max Use: 1

Purpose: Identifying the used document.

Example: BGM+380+925896'

Data Element Summary

Data Element	Component Element	Name	EDIFACT Attributes	ABB Attributes
C002		DOCUMENT/MESSAGE NAME Identification of a type of document/message by code or name.	C	R
	1001	Document/message name, coded Document/message identifier expressed in code. 380 – Commercial invoice 381 – Credit note	C an..3	R
1004		DOCUMENT/MESSAGE NUMBER Document ID assigned to the document/message by the issuer.	C an..35	R

4.5 DTM Date/Time/Period

Group:
Usage: M
Max Use: 2
Purpose: A segment specifying general dates for the used document.
ABB Both invoice and delivery dates are required by ABB

Example: DTM+137:20071027:102'
 DTM+35:20071026:102'

Data Element Summary				
Data Element	Component Element	Name	EDIFACT Attributes	ABB Attributes
C507		DATE/TIME/PERIOD	M	R
		Date and/or time, or period relevant to the specified date/time/period type.		
	2005	Date/time/period qualifier	M an..3	R
		Code giving specific meaning to a date, time or period. 137 - Document/message date (invoice date) 35 - Delivery date 4 - Order date		
	2380	Date/time/period	C n8	R
		The value of a date, a date and time, a time or of a period in a specified representation.		
	2379	Date/time/period format qualifier	C an..3	R
		Specification of the representation of a date, a date and time or of a period. 102 - CCYYMMDD		

4.6 FTX Free Text

Group:
Max Use: 10
Purpose: free text information. Used when additional information is needed but cannot be accommodated within other segments.

ABB Use only one text line (DE 4440) per segment. Max 10 loops of the segment.
 Refer to original invoice here (with qualifier ZZZ) for credit invoices.

Example: FTX+AAB+++30 dagar netto'
 FTX+MKS+++Goods Mark'
 FTX+ZZZ+++Original invoice No 987654321'

Data Element Summary				
Data Element	Component Element	Name	EDIFACT Attributes	ABB Attributes
4451		Text Subject Qualifier	M an..3	R
		Code giving specific meaning to the text AAB - Free text referring to payment terms MKS - Shipping identification ZZZ - Mutually defined free text		
4453		Text Function, Coded	C an..3	N
C107		TEXT REFERENCE	C	N
		Standard text, coded		
C108		TEXT LITERAL	C	R
	4440	Free text	M an..70	R

4.7 RFF Reference

Group: Segment Group 1 (Reference)
Usage: C
Max Use: 3
Purpose: A segment identifying the reference(s).
ABB *Buyers purchase order number is required if submitted by ABB. If order number is not submitted the buyers contact person is required in NAD/BY-CTA.*
-Do not use RFF/ON for any other data then purchase order No issued by ABB!
Supplier client code for buyer (RFF/CR) is not mandatory but recommended.

Example: RFF+ON:49590152'

Data Element Summary				
Data Element	Component Element	Name	EDIFACT Attributes	ABB Attributes
C506		REFERENCE Identification of a reference.	M	R
	1153	Reference qualifier Code giving specific meaning to a reference segment or a reference number. ON – Buyers order number SS – Suppliers order number CR – Suppliers client code for buyer API – Suppliers client code for Buyer (alternative)	M an..3	R
	1154	Reference number Identification number the nature and function of which can be qualified by an entry in data element 1153 Reference qualifier.	C an..35	R

4.8 NAD Name and Address

Group: Segment Group 2 (Name and Address) (Required)
Usage: M
Max Use: 4
Purpose: A segment identifying names and addresses of the parties involved in the transaction
ABB *Supplier, buyer and invoice receiver is required by ABB. For the ABB receiver it is mandatory to have an Invoice address, PO Box No (or Fe number) stated.*
Valid Invoice addresses as well as postal addresses can be found at the ABB Sweden website. Invoice address shall be present in last occurrence of DE 3042.
If additional postal address is used, this should be in the first occurrence and the Invoice address in the second.

Example: NAD+BY+++ABB AB, Kabeldon+Box 531+Alingsås++44115' (Postal address)
 NAD+IV+++ABB AB, Kabeldon+Fe 6210+Östersund++83984' (Invoice address)
 NAD+DP+++ABB AB, Kabeldon+Sävelundsgatan 2+Alingsås++44138' (Delivery address)
 NAD+SU+++Bengtssons Mekaniska AB+Nya Hamnvägen 4+KÖPING++73136+SE

Data Element Summary				
Data Element	Component Element	Name	EDIFACT Attributes	ABB Attributes
3035		PARTY QUALIFIER Code giving specific meaning to a party. SU – Supplier. BY – Buyer IV – Invoice receiver (DP – Delivery party)	M an..3	R

C082		PARTY IDENTIFICATION DETAILS	C	N
C058		NAME AND ADDRESS	C	N
C080		PARTY NAME	C	R
	3036	Party name	M an..35	R
	3036	Party name	C an..35	N
C059		STREET	C	R
	3042	Postal address	C an..35	R
	3042	Invoice address	M an..35	D
3164		City name	C an..35	R
3229		Country sub-entity, coded	C an..3	N
3251		Postcode identification	C an..9	R
3251		Country, coded	C an..3	D

4.9 FII Financial institution information

Group: Segment Group (Name and Address)
Usage: D
Max Use: 3
Purpose: A segment identifying an account and a related financial institution.
ABB *Required for the supplier (NAD/SU) at least once, with either Bankgirot or Plusgirot. Please note that DE 3432 should be used with precise spelling ("Plusgirot" or "Bankgirot") IBAN is required also when invoicing in other currency than SEK*

Example: FII+RB+4147137+BK::9:::Bankgirot'
FII+RB+5880254+PO::9:::Plusgirot'
FII+BF+SE236000000000048805283+HANDSESS:25:5'

Data Element Summary

Data Element	Component Element	Name	EDIFACT Attributes	ABB Attributes
3035		PARTY QUALIFIER Code giving specific meaning to a party. RB – Receiving financial institution BF - Beneficiary's bank (use for IBAN only)	M an..3	R
C506	3194	ACCOUNT IDENTIFICATION Account holder number	C C an..35	R R
C088	3433	INSTITUTION IDENTIFICATION Institution name identification BK – Bankgirot PO – Plusgirot For IBAN use BIC (Bank Identifier Code)	C C an..11	R R
	1131	Code list qualifier 25 - Bank identification	C an..3	D
	3055	Code list responsible agency, coded 9 – EAN 5 - ISO	C an..3	R
	3434	Institution branch number	C an..17	N
	1131	Code list qualifier	C an..3	N
	3055	Code list responsible agency, coded	C an..3	N
	3432	Institution name	C an..70	D

4.10 RFF Reference

Group: Segment Group 3 (Reference)
Usage: D
Max Use: 1
Purpose: A segment identifying the reference(s).
ABB Used in the NAD-group for VAT registration number and required for both supplier (NAD-SU) and buyer (NAD-BY) by ABB

Example: RFF+VA:SE556012224301'

Data Element Summary				
Data Element	Component Element	Name	EDIFACT Attributes	ABB Attributes
C506		REFERENCE Identification of a reference.	M	R
	1153	Reference qualifier Code giving specific meaning to a reference segment or a reference number. VA – VAT registration number	M an..3	R
	1154	Reference number Identification number the nature and function of which can be qualified by an entry in data element 1153 Reference qualifier	C an..35	R

4.11 CTA Contact information

Group: 5 (Name and address)
Usage: D
Max Use: 1
Purpose: A segment specifying contacts persons or a department for communication with related partners.
ABB Supplier contact (SU) is always required by ABB and accounting contact (AD) is mandatory if no purchase order number is used (in RFF/ON)

Example: CTA+AD+:Lars Åkesson'

Data Element Summary				
Data Element	Component Element	Name	EDIFACT Attributes	ABB Attributes
3139		CONTACT FUNCTION CODED AD – Accounting contact (for NAD/BY) SU – Supplier contact (for NAD/SU)	M an..3	R
C056		DEPARTMENT OR EMPLOYEE DETAILS	M	R
	3413	Department or employee identification	C an..17	N
	3412	Department or employee Name of person or department	C an..35	R

4.12 COM Communication contact

Group:	5 (Name and address)
Usage:	D
Max Use:	1
Purpose:	To identify a communication channel for contact person or department specified in the CTA-segment. Required for the supplier contact (CTA/SU).
ABB	<i>Email or telephone can be used.</i>
Example:	COM+021-10 11 12:TE'

Data Element Summary				
Data Element	Component Element	Name	EDIFACT Attributes	ABB Attributes
C076		COMMUNICATION CONTACT	M	R
	3148	Communication number	C an..17	R
	3155	Communication channel qualifier	C an..3	R
		EM - Email TE – Telephone No		

4.13 CUX Currencies

Group:	7 (Currency)
Usage:	O
Max Use:	1
Purpose:	To specify currencies used in the transaction and relevant details for the rate of exchange.

Example: Suppliers invoicing in SEK:
CUX+2:SEK:4'

Suppliers invoicing in other currency than SEK:
CUX+2:EUR:4+3:SEK:3'

Data Element Summary				
Data Element	Component Element	Name	EDIFACT Attributes	ABB Attributes
C504		CURRENCY DETAILS	M	R
	6347	Currency details qualifier 2 – Reference currency	M an..3	R
	6345	Currency, coded Code for used currency, i.e. (SEK or EUR)	C an..3	R
	6343	Currency qualifier 4 – Invoicing currency	C an..3	R
C504		CURRENCY DETAILS	C	D
	6347	Currency details qualifier 3 – Target currency	M an..3	R
	6345	Currency, coded Code for used currency, i.e. (SEK or EUR)	C an..3	R
	6343	Currency qualifier 3 – Home currency	C an..3	R

4.14 PAT Payment terms

Group: 8 (Payment terms)
Usage: M
Max Use: 1
Purpose: A segment specifying the payment terms basis.
ABB Referring to the date of the invoice due to agreement with ABB
(i.e. "60 days after date of invoice")

Example: PAT+1+6:::60+5:3:D'

Data Element	Component Element	Data Element Summary		EDIFACT Attributes	ABB Attributes
		Name	Qualifier		
4279		PAYMENT TERMS Type of payment terms 1 – Basic terms		M an..3	R
C110	4277	PAYMENT TERMS Terms of payment identification UN/CEFACT Revision 1996A Code List Values can be 1 to 6.		M an..17	R
	1131	Date/time/period		C an..3	N
	3055	Date/time/period format qualifier		C an..3	N
	4276	Terms of payment Number of days		C an..35	R
C112		TERMS/TIME INFORMATION		C	R
	2475	Payment time reference, coded 5 – Date of invoice		M an..3	R
	2009	Time relation, coded 3 – After reference		C an..3	R
	2151	Type of period, coded D - Days		M an..3	R

4.15 DTM Date/Time/Period

Group: 8 (Payment terms)
Usage: O
Max Use: 1
Purpose: A segment specifying date(s) related with the payment terms
ABB Due date for the payment of the invoice

Example: DTM+13:20071027:102'

Data Element	Component Element	Data Element Summary		EDIFACT Attributes	ABB Attributes
		Name	Qualifier		
C507		DATE/TIME/PERIOD Date and/or time, or period relevant to the specified date/time/period type.		M	R
	2005	Date/time/period qualifier Code giving specific meaning to a date, time or period. 13 – Terms, net due date		M an..3	R
	2380	Date/time/period The value of a date, a date and time, a time or of a period in a specified representation.		C n8	R

2379 **Date/time/period format qualifier** **C an..3** **R**
 Specification of the representation of a date,
 a date and time or of a period.
 102 – CCYYMMDD

4.16 ALC Allowances and charges

Group: Segment Group 15 (Allowances and charges)
Usage: O
Max Use: 1
Purpose: A segment to identify allowance or charge details
ABB Use for allowance on invoice total (only) together with PCD/MOA
 (Use ALC in group 51 for freight charges)

Example: ALC+A'

Data Element Summary				
Data Element	Component Element	Name	EDIFACT Attributes	ABB Attributes
5463		ALLOWANCE /CHARGE QUALIFIER	M an..3	R
		A - Allowance		

4.17 PCD Percentage details

Group: Segment Group 15 (Allowances and charges)
Usage: O
Max Use: 1
Purpose: A segment to specify percentage details
ABB Use for allowance on invoice total (only)

Example: PCD+12:2'

Data Element Summary				
Data Element	Component Element	Name	EDIFACT Attributes	ABB Attributes
C501		PERCENTAGE DETAILS	M	R
	5245	Percentage qualifier	M an..3	R
		12 - Discount		
	5482	Percentage	M n..10	R

4.18 MOA Monetary Amount

Group: Segment Group 15 (Allowances and charges)
Usage: O
Max Use: 1
Purpose: A segment to specify an amount for allowance/charge

Example: MOA+52:735:SEK'

Data Element Summary				
Data Element	Component Element	Name	EDIFACT Attributes	ABB Attributes
C516		MONETARY AMOUNT	M	R
	5025	Monetary amount type qualifier	M an..3	R
		Code giving specific meaning to an amount. 52 – Discount amount		
	5004	Monetary amount	C n..18	R
		Numeric value of a quantity.		
	6345	Currency, coded	C an..3	R
		ISO 4217 three alpha SEK – Swedish kronor NOK – Norwegian kronor		

5 INVOIC Message-definition [line-section]

5.1 LIN Line Item

Group: Segment Group 25 (Line Item)
Usage: M
Max Use: 999
Purpose: A segment identifying the line item by the line number
Example: LIN+1'

Data Element	Component Element	Data Element Summary		EDIFACT Attributes	ABB Attributes
		Name			
1082		LINE ITEM NUMBER	Serial number designating each separate item within a series of articles.	C n..6	R

5.2 PIA Additional Product Id

Group: Segment Group 25 (Line Item)
Usage: C
Max Use: 1
Purpose: A segment identifying additional product, or service, id or information.
Example: PIA+5+40093:SA'

Data Element	Component Element	Data Element Summary		EDIFACT Attributes	ABB Attributes
		Name			
4347		Product Id. Function qualifier	Code specifying the action to be taken or already taken. 5 – Product information	C an..3	R
C212		ITEM NUMBER IDENTIFICATION	Goods identification for a specified source.		
	7140	Item number	A number allocated to a group or item. Article number without leading blanks or zeroes.	C an..35	R
	7143	Item number type, coded	Identification of the type of item number. SA – Supplier's article number MP - Service identification number	C an..3	R

5.3 IMD Item description

Group: Segment Group 25 (Line Item)
Usage: M
Max Use: 2
Purpose: A segment for item description. 2 rows (7008) are allowed.
Example: IMD+F++:::VATTENPASS 600 HVPM'

Data Element	Component Element	Data Element Summary		EDIFACT Attributes	ABB Attributes
		Name			
7077		Item desc. Type coded		C an..3	R
		Code specifying the type of description			
		F – Free form			
7081		Item characteristic, coded		C an..3	N
C273		ITEM DESCRIPTION			
	7009	Item description identification		C an..7	N
	1131	Code list qualifier		C an..3	N
	3055	Code list responsible agency		C an..3	N
	7008	Item description		C an..35	R
	7008	Item description		C an..35	O
		Item description			

5.4 QTY Quantity

Group: Segment Group 25 (Line item)
Usage: M
Max Use: 1
Purpose: A segment identifying the invoiced quantity.
ABB: Use maximum two (2) decimals for the quantity in DE 6060.
 Default measure unit is PCE, so this can be omitted if unit is “pieces”.
 Use “UN/ECE recommendation No. 20” for other measure unit codes, see below for examples.
Example: QTY+47:60:PCE'

Data Element	Component Element	Data Element Summary		EDIFACT Attributes	ABB Attributes
		Name			
C186		QUANTITY DETAILS		M	R
		Quantity information in a transaction, qualified when relevant.			
	6063	Quantity qualifier		M an..3	R
		Code giving specific meaning to a quantity.			
		47 – Invoiced quantity			
	6060	Quantity		M n..15	R
		Numeric value of a quantity.			
	6411	Measure unit qualifier		M an..3	D
		PCE - Pieces			
		KGM - Kilogram			
		LTR - Liter (Volume)			
		MTQ - Cubic metre			
		MTR - Metre			
		PCE - Pieces			
		TNE - Tonne			

5.5 DTM Date/Time/Period

Group: 25
Usage: C
Max Use: 2
Purpose: A segment specifying date/time/period details relating to the line item only
ABB *Used for invoicing period of the line item*

Example: DTM+167:20090401:102'
 DTM+168:20090430:102'

Data Element	Component Element	Data Element Summary		EDIFACT Attributes	ABB Attributes
		Name			
C507		DATE/TIME/PERIOD	Date and/or time, or period relevant to the specified date/time/period type.	M	R
	2005	Date/time/period qualifier	Code giving specific meaning to a date, time or period. 167 – Charge period start date 168 – Charge period start date	M an..3	R
	2380	Date/time/period	The value of a date, a date and time, a time or of a period in a specified representation.	C n8	R
	2379	Date/time/period format qualifier	Specification of the representation of a date, a date and time or of a period. 102 – CCYYMMDD	C an..3	R

5.6 FTX Free text

Group: 25
Usage: C
Max Use: 5
Purpose: Free text information. Used when additional information is needed but cannot be accommodated within other segments, for example allowances.
ABB *Use maximum two text lines (DE 4440) per segment and max 5 loops of the segment.*

Example: FTX+ZZZ+++FREE TEXT LINE 1:FREE TEXT LINE 2'

Data Element	Component Element	Data Element Summary		EDIFACT Attributes	ABB Attributes
		Name			
4451		Text Subject Qualifier	Code giving specific meaning to the text ZZZ – Mutually defined free text	M an..3	R
	4453	Text Function, Coded		C an..3	N
C107		TEXT REFERENCE	Standard text, coded	C	N
C108		TEXT LITERAL		C	R
	4440	Free text		M an..70	R
	4440	Free text		M an..70	C

5.7 MOA Monetary Amount

Group: Segment Group 26 (Line item)
Usage: C
Max Use: 1
Purpose: A segment giving the line amount for an invoice line
 Use maximum two (2) decimals for the value in DE 5004
Example: MOA+203:735.50:SEK'

Data Element	Component Element	Data Element Summary		EDIFACT Attributes	ABB Attributes
		Name			
C516		MONETARY AMOUNT	Used to specify monetary amounts related to the line item.	M	R
	5025	Monetary amount type qualifier	Code giving specific meaning to a quantity. 203 – Line item amount	M an..3	R
	5004	Monetary amount	Numeric value of a quantity.	C n..18	R
	6345	Currency, coded	ISO 4217 three alpha SEK – Swedish kronor NOK – Norwegian kronor EUR - Euro	C an..3	R

5.8 PRI Price information

Group: Segment Group 28
Usage: M
Max Use: 1
Purpose: To specify the unit price of the article.
Example: PRI+AAA:618.56'

Data Element	Component Element	Data Element Summary		EDIFACT Attributes	ABB Attributes
		Name			
C509		PRICE INFORMATION		C	R
	5125	Price qualifier	AAA – The price stated is the <u>net price</u> including allowances/ charges. Allowances/charges may be stated for information only. AAB - The price stated is the <u>gross price</u> to which allowances/charges must be applied.	M an..3	R
	5118	Price	Price of article	C n.,15	R
	5375	Price type, Coded		C an,,3	N
	5387	Price type qualifier		C an,,3	N
	5284	Unit price basis	Basis = "1"	C n.,9	N
	6411	Measure unit qualifier	PCE - Pieces	M an..3	N

5.9 RFF Reference

Group: Segment Group 29 (Reference)
Usage: C
Max Use: 1
Purpose: A segment identifying the reference(s).
ABB: Use for reference to the buyer's (ABB) purchase order line No.

Example: RFF+ON:12'

Data Element	Component Element	Data Element Summary		EDIFACT Attributes	ABB Attributes
		Name			
C506		REFERENCE	Identification of a reference.	M	R
	1153	Reference qualifier	Code giving specific meaning to a reference segment or a reference number. ON – Order reference	M an..3	R
	1154	Reference number	Identification number the nature and function of which can be qualified by an entry in data element 1153 Reference qualifier	C an..6	R

5.10 TAX Duty/tax/fee details

Group: Segment Group 33 (Line item)
Usage: M
Max Use: 1
Purpose: To specify relevant duty/tax/fee information.
Example: TAX+7+VAT++++:::25+S'

Data Element	Component Element	Data Element Summary		EDIFACT Attributes	ABB Attributes
		Name			
5283		Duty/tax/fee function qualifier	7 – Tax	M	R
C241	5153	DUTY/TAX/FEE TYPE	Duty/tax/fee type, coded	C	R
		VAT - Value added tax		C	R
		RED – Reduced value added tax			
	1131	Code list qualifier	C	N	
	3055	Code list responsible agency, coded	C	N	
	5152	Duty/tax/fee type	C	N	
C533		DUTY/TAX/FEE ACCOUNT DETAIL		C	N
5286		Duty/tax/fee assessment basis		C	N
C243		DUTY/TAX/FEE DETAIL		C	R
	5279	Duty/tax/fee rate identification		C	N
	1131	Code list qualifier		C	N
	3055	Code list responsible agency, coded		C	N
	5278	Duty/tax/fee rate		C	R
		- Actual tax rate in percentage with max 2 decimals			

S – Standard rate

E - Exempt from tax

M – Food

T – magazines, books etc.

Z – Zero rated goods

5.11 MOA Monetary Amount

Group: Segment Group 33 (Line item)
Usage: M
Max Use: 1
Purpose: A segment specifying the amount for the identified tax/fee.
 Use maximum two (2) decimals for the amount in DE 5004.
Example: MOA+124:125.13:SEK'

Data Element	Component Element	Data Element Summary		
		Name	EDIFACT Attributes	ABB Attributes
C516		MONETARY AMOUNT Used to specify monetary amounts related to the line item.	M	R
	5025	Monetary amount type qualifier Code giving specific meaning to a quantity. 124 – Tax amount	M an..3	R
	5004	Monetary amount Numeric value of a quantity.	C n..18	R
	6345	Currency, coded ISO 4217 three alpha SEK – Swedish kronor NOK – Norwegian kronor EUR – Euro	C an..3	R

6 INVOIC Message-definition [summary-section]

6.1 UNS Section control

Group: N/A
Usage: M
Max Use: 1
Purpose: A service segment placed at the start of the summary section to avoid segment collision.
Example: UNS+S'

Data Element	Component Element	Data Element Summary		
		Name	EDIFACT Attributes	ABB Attributes
0081		Section identification S - Detail/summary section separation	M	R

6.2 MOA Monetary Amount

Group: Segment Group 48 (Summary)
Usage: M
Max Use: 10
Purpose: A segment specifying the total monetary amounts for the whole invoice.
 The four first amounts (code 176, 79, 9 and 77) are required by ABB so at least 4 loops of the segment are mandatory.
 For suppliers that are invoicing on other currency then SEK, an additional MOA with the tax amount in SEK is required. See below in the example section
 DE 6343 is only used for suppliers who invoices in two currencies..
 Use maximum two (2) decimals for the amount in DE 5004

Example: Suppliers invoicing in SEK

MOA+77:735:SEK'
 MOA+165:-0.12:SEK'
 MOA+176:126.15:SEK'

Suppliers invoicing in other currency then SEK:

MOA+77:105:EUR'
 MOA+165:-0.03:EUR'
 MOA+176:26.12:EUR:4'
 MOA+176:237.70:SEK:3'

Data Element	Data Element Summary			EDIFACT Attributes	ABB Attributes
	Component Element	Name			
C516		MONETARY AMOUNT		M	R
		Used to specify monetary amounts related to the line item.			
	5025	Monetary amount type qualifier		M an..3	R
		Code giving specific meaning to a quantity.			
		176 – Message total duty/tax/fee amount			
		79 – Total line items amount (The sum of all the line item amounts.)			
		9 – Payable amount (Amount to be paid.)			
		77 – Invoice amount			
		165 – Adjustment amount (optional)			
		ZZZ – Package costs (optional)			
	5004	Monetary amount		C n..18	R
	Numeric value of a quantity.				
	6345	Currency, coded		C an..3	R
	ISO 4217 three alpha:				
	SEK – Swedish kronor				
	NOK – Norwegian kronor				
	EUR – Euro				
	6343	Currency, qualifier		C an..3	D
	3 – Home currency (SEK)				
	4 – Invoicing currency				

6.3 TAX Duty/tax/fee details

Group: Segment Group 50
Usage: M
Max Use: 5
Purpose: To specify relevant duty/tax/fee information.
 Use one TAX-MOA per used VAT rate that needs to be specified.
Example: TAX+7+VAT++++:25+S'

Data Element	Component Element	Data Element Summary		EDIFACT Attributes	ABB Attributes
		Name			
5283		Duty/tax/fee function qualifier		M	R
		7 – Tax			
C241		DUTY/TAX/FEE TYPE		C	R
	5153	Duty/tax/fee type, coded		C	R
		VAT - Value added tax			
		RED – Reduced value added tax			
	1131	Code list qualifier		C	N
	3055	Code list responsible agency, coded		C	N
	5152	Duty/tax/fee type		C	N
C533		DUTY/TAX/FEE ACCOUNT DETAIL		C	N
5286		Duty/tax/fee assessment basis		C	N
C243		DUTY/TAX/FEE DETAIL		C	R
	5279	Duty/tax/fee rate identification		C	N
	1131	Code list qualifier		C	N
	3055	Code list responsible agency, coded		C	N
	5278	Duty/tax/fee rate		C	R
		- Actual tax rate in percentage with max 2 decimals			
5305		Duty/tax/fee category, coded		C	R
		S – Standard rate			
		E - Exempt from tax			
		M – Food			
		T – magazines, books etc.			
		Z – Zero rated goods			

6.4 MOA Monetary Amount

Group: Segment Group 50
Usage: M
Max Use: 2 (per VAT-segment)
Purpose: A segment specifying the amounts (taxable and tax, both required) for the identified tax.
 Use maximum two (2) decimals for the amount in DE 5004.
Example: MOA+124:125.13:SEK'

Data Element Summary				
Data Element	Component Element	Name	EDIFACT Attributes	ABB Attributes
C516		MONETARY AMOUNT Used to specify monetary amounts related to the line item.	M	R
	5025	Monetary amount type qualifier Code giving specific meaning to a quantity. 124 – Tax amount 125 – Taxable amount	M an..3	R
	5004	Monetary amount Numeric value of a quantity.	C n..18	R
	6345	Currency, coded ISO 4217 three alpha SEK – Swedish kronor NOK – Norwegian kronor EUR - Euro	C an..3	R

6.5 ALC Allowance and charges

Group: Segment Group 51 (Allowances and charges)
Usage: O
Max Use: 1
Purpose: A segment to identify allowance or charge details
ABB Use for freight charges on invoice total only, together with MOA

Example: ALC+C++++FC'

Data Element Summary				
Data Element	Component Element	Name	EDIFACT Attributes	ABB Attributes
5463		ALLOWANCE /CHARGE QUALIFIER C – Charge	M an..3	R
C552		ALLOWANCE/CHARGE INFORMATION	C	N
4471		Settlement, coded	C an..3	N
1227		Calculation sequence indicator, coded	C an..3	N
C214		SPECIAL SERVICES IDENTIFICATION	C	R
	7161	Special services, coded FC – Freight charge	C	R

6.6 MOA Monetary Amount

Group: Segment Group 51 (Allowances and charges)
Usage: O
Max Use: 1
Purpose: A segment to specify the amount of the freight charge.

Example: MOA+24:735:SEK'

Data Element Summary				
Data Element	Component Element	Name	EDIFACT Attributes	ABB Attributes
C516		MONETARY AMOUNT	M	R
	5025	Monetary amount type qualifier Code giving specific meaning to an amount. 24 – Charge summary total	M an..3	R
	5004	Monetary amount Numeric value of a quantity.	C n..18	R
	6345	Currency, coded ISO 4217 three alpha SEK – Swedish kronor NOK – Norwegian kronor EUR - Euro	C an..3	R

6.7 UNT Message Trailer

Group:
Max Use: 1
Usage: M
Purpose: A service segment ending a message, giving the total number of segments in the message and the control reference number of the message.

Example: UNT+39+2346'

Data Element Summary				
Data Element	Component Element	Name	EDIFACT Attributes	ABB Attributes
0074		NUMBER OF SEGMENTS IN A MESSAGE Control count of number of segments in a message.	M n..6	M
0062		MESSAGE REFERENCE NUMBER Unique message reference assigned by the sender.	M an..14	M

6.8 UNZ Interchange Trailer

Group: 0 (Service segment)
Max Use: 1
Purpose: Service segment ending an interchange and giving the number of messages contained in the interchange as well as the Interchange Control Reference number.

Example: UNZ+1+50325419085023'


Data Element Summary				
Data Element	Component Element	Name	EDIFACT Attributes	ABB Attributes
0036		INTERCHANGE CONTROL COUNT Number of messages in an interchange.	M n..6	R
0020		INTERCHANGE CONTROL REFERENCE Value must be the same as 0020 - Interchange Control Reference in UNB.	M an..14	R

7 Example of INVOIC-message

Mandatory segments are marked with bold font.

For details of usage, dependencies etc. please refer to the detailed description of each segment.

UNA:+.?'
UNB+UNOC:1+7365562392462:ZZ+SE04800015260:01+080808:0808+50325419085023'
UNH+2346+INVOIC:D:96A:UN'
BGM+380+925896'
DTM+137:20071027:102'
DTM+35:20071026:102'
FTX+AAB+++Payment terms?: 45 days'
FTX+MKS+++GOODS MARKING'
FTX+ZZZ+++FREE TEXT FREE TEXT FREE TEXT'
RFF+ON:49590152'
NAD+BY+++ABB AB+LV Motors+Västerås++72162'
RFF+VA:SE556029702901'
CTA+AD+:Lars Åkesson'
NAD+IV+++ABB AB+Box 6120+VÄSTERÅS++72157'
NAD+SU+++Bengtssons Mekaniska AB+Nya Hamnvägen 4+KÖPING+++73136+SE'
FII+RB+4147137+BK::9::::Bankgirot'
FII+RB+5880254+PO::9::::Plusgirot'
FII+BF+SE236000000000048805283+HANDSESS:25:5'
RFF+VA:SE556012224301'
CTA+SU+:Stina Larsson'
COM+021-10 11 12:TE'
CUX+3:EUR:4+3:SEK:3'
PAT+1+6:::60+5:3:D'
DTM+13:20081027:102'
ALC+A'
PCD+12:2'
MOA+52:735:SEK'
LIN+1'
PIA+5+40093:SA'
IMD+F++:::VATTENPASS 600 HVPM:4 st libeller'
QTY+47:10:PCE'
DTM+167:20090401:102'
DTM+168:20090430:102'
FTX+ZZZ+++FREE TEXT LINE 1:FREE TEXT LINE 2'
MOA+203:999.60:SEK'
PRI+AAA:99.96'
RFF+ON:10'
TAX+7+VAT+++:::25+S'
MOA+124:249.90:SEK'
UNS+S'
MOA+176:249.90:SEK'
MOA+79:999.60:SEK'
MOA+9:1249.5:SEK'
MOA+77:1249:SEK'
MOA+165:-0.50:SEK'
TAX+7+VAT+++:::25+S'
MOA+124:249.60:SEK'
MOA+125:999.60:SEK'
ALC+C++++FC'
MOA+24:735:SEK'
UNT+50+2346'
UNZ+1+50325419085023'

	ABB AB	Doc. no. 9ADG112101	Lang. en	Rev. ind. E	Page 27
---	--------	------------------------	-------------	----------------	------------

REVISION

Rev. ind.	Page (P) Chapt. (C)	Description	Date Dept./Init.
A		The English version is approved	20081104 GFAC/L-BG
B		Addition of UNA segment Addition of IBAN No in FII segment Addition of LIN-DTM segment Varios (text) adjustments Adjustment of the example	20090701 SASL - BG
C		Contact persons page 5 are updated	20100701 SASL - BG
D		Contact persons page 5 are updated	20100914 SASL - BG
E		Contact persons page 5 are updated	20110308 SASL - BG