



Brochure

Solution series

Distribution blocks

DBL range

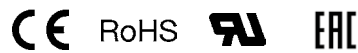
Solutions series, distribution blocks

DBL range



The clever distribution concept

The exclusive compact and modular design of our distribution blocks allows easy installation combined with a great flexibility of use.



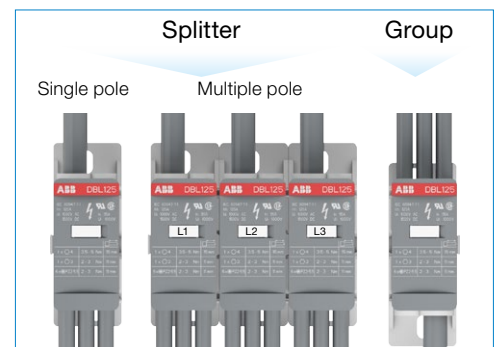
Improve installation efficiency

Easy to use

The benefit of **3 configurations in 1 product**:

- **Single pole splitter** of power main input into several outputs
- **Multiple poles splitter**: interlocking function and ready to use marking kit (L1, L2, L3, N, \perp) delivered with each block.
- **Grouping** several inputs into 1 output.

Flexible cover facilitates identification & wiring: Reversible, two directions opening, snap-on, all wiring data's and specifications visible on top.

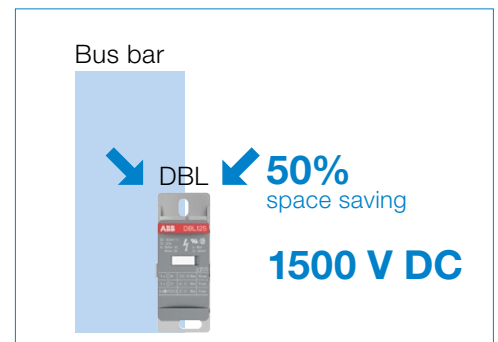


More control in smaller space

Panel space saving

Save up to 50% rail space compare to conventional distribution bars thanks to our modular compact design.

Ready for the future: up to **1500 V DC voltage rating** adapted to most recent solar inverters requirements.

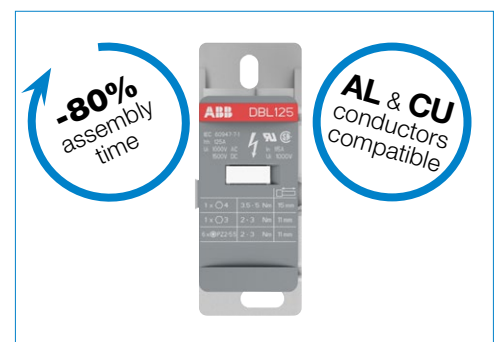


Cost effective solution

Increased productivity

Reduce wiring, inventories, hardware and assembly costs:

- Compatible with **aluminum** or **copper** conductor
- Stocks 1 product get 3 configurations
- **Reduces assembly time by 80%** compare to conventional systems. Our modular and touch proof concept eliminates the need for bus bars, isolators, fasteners, protection screens...

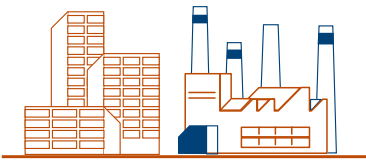


A great flexibility of use whatever your application

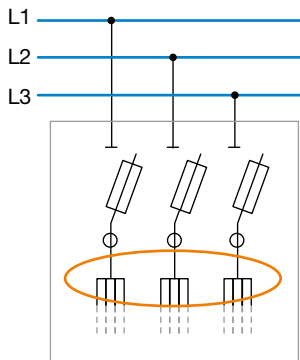
Applications

Commercial & industrial control panels

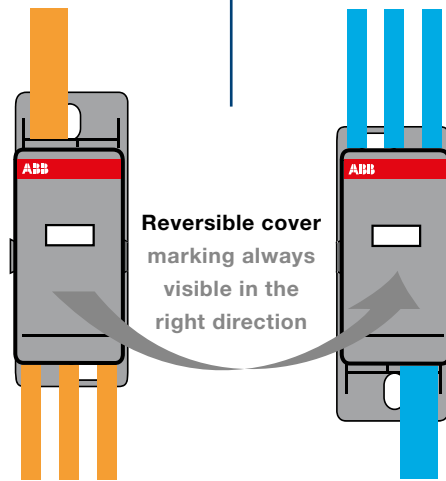
Convenient single pole or multipole splitter



Typical schematic for splitter

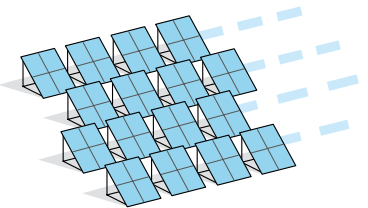


1 product
2 applications

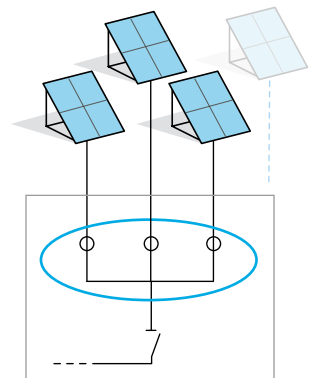


Solar panels

Grouping signals from solar strings



Typical schematic for grouping



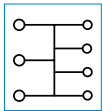
Solutions series, distribution blocks

DBL range

Overview from 80 to 400 A
Single pole or multipole

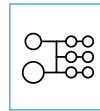
DBL80

7 connections



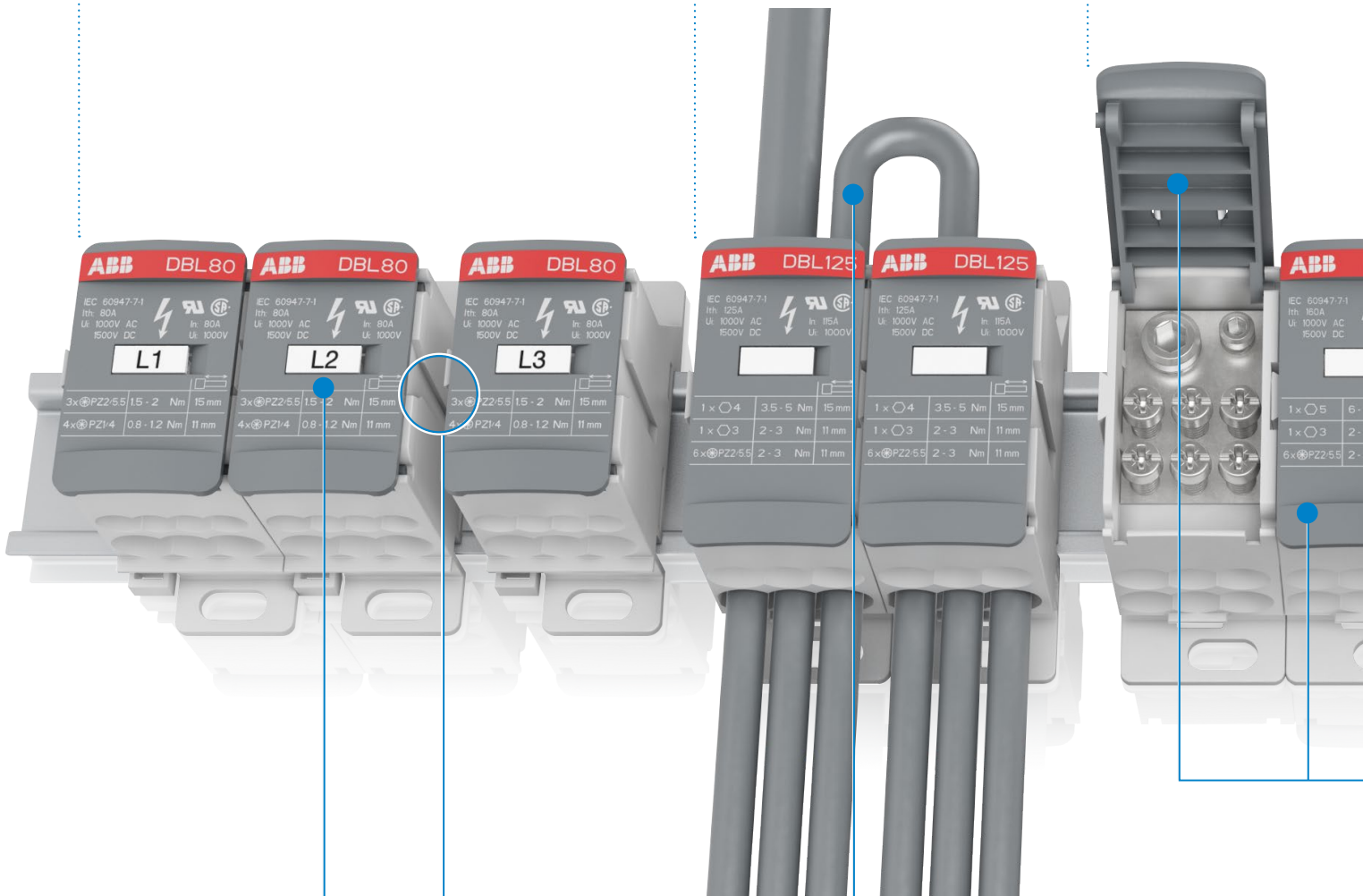
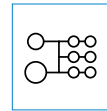
DBL125

8 connections



DBL160

8 connections



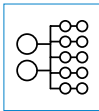
Marking kit
(L1, L2, L3, N, \perp)
delivered with
each block

**Easily creates
multiple
assemblies with
interlocking piece**

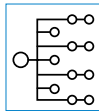


**Easy jumpering,
DBL80...175
incorporate a double
connection point**

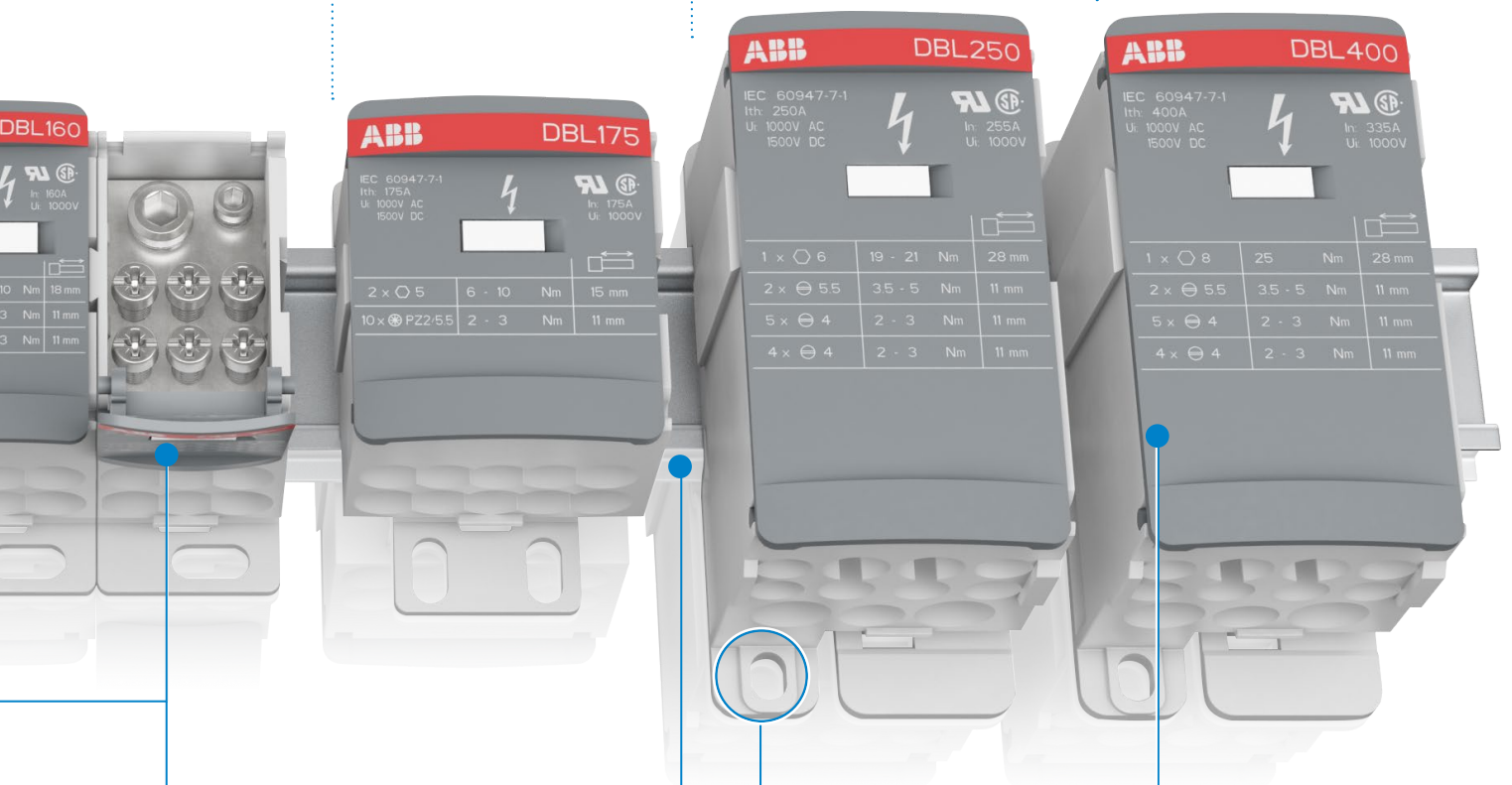
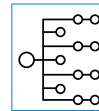
DBL175
12 connections



DBL250
12 connections



DBL400
12 connections



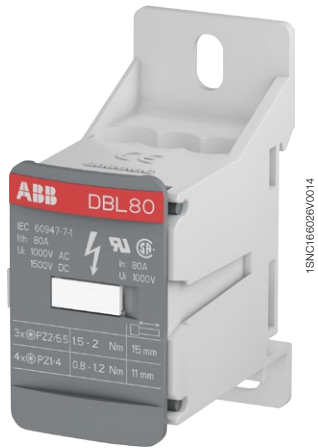
Flexible cover ease the wiring:
- Two directions opening
- Removable & snap-on

**Panel or
DIN rail mounting**

**All wiring data's
and specifications
visible from top**

DBL80 distribution terminal blocks

Single pole - 28.4 mm 1.11 in spacing



DBL80

Description

- Save installation time with our modular solutions,
- Ease the installation with plate or rail mounting options on our modular blocks,
- Easily increase the number of outputs using jumpers.

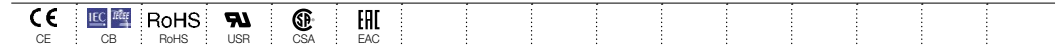
Ordering details

Description	Color	Type	Order code	Pkg qty	Weight (1 pce)
Feed-through Single pole distribution, 7 connections	Grey	<input type="checkbox"/> DBL80	1SNL308010R0000	1	70

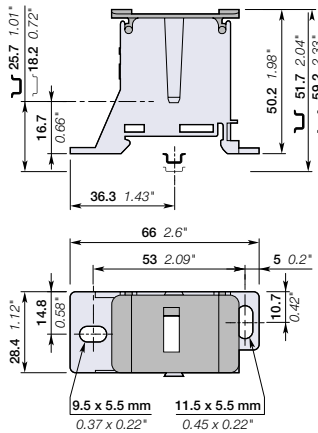
Main technical data

Connecting capacity	IEC	UL	Connection type	Cross section
Max current / Max cross section	Copper Aluminium	80 A / 16 mm ² 63 A / 16 mm ²	80 A / 4 AWG	2.5 ... 16 mm ² 2.5 ... 16 mm ²
Rated voltage		1000 V AC / 1500 V DC	1000 V	14 ... 6 AWG 14 ... 4 AWG
Rated impulse voltage				2.5 ... 6 mm ² 14 ... 10 AWG
Short-time withstand current (I _{cw} 1s)		1900 A		2.5 ... 6 mm ² 14 ... 10 AWG
Short Circuit Current Rating (SCCR)			100 kA	
Rated peak withstand current (I _{pk})		27 kA		
Protection		IP20	NEMA 1	

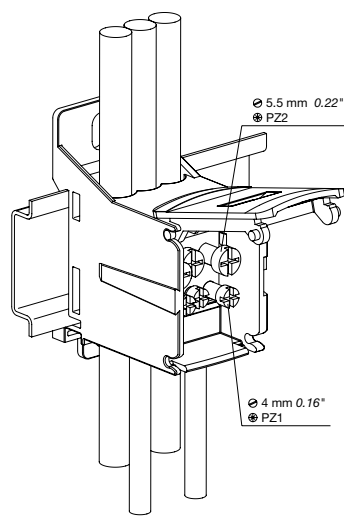
The connecting capacity data for one Rigid - Solid / Stranded - Flexible conductor (when applicable) is a mandatory information required by IEC, UL and CSA standards (Copper conductors). All other data are provided as supplementary information only. For more details, please consult our CB, UL or CSA certificates and technical datasheet available on <http://www.ABB.com>



Mounting instructions



28.4 mm 1.11 in spacing



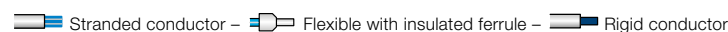
Rail	Tool	Diameter of cable Ø	Wire stripping length	Recommended torque
TH 35-7.5, TH 35-15	Posidriv - flat screwdriver	6.6 mm 0.26 in	15 mm 0.59 in	1.5 ... 2 Nm 13.5 ... 18 lb.in
	Posidriv - flat screwdriver	4.5 mm 0.18 in	11 mm 0.43 in	0.8 ... 1.2 Nm 7.2 ... 10.8 lb.in

Accessories

Description	Color	Type	Order code	Pkg qty	Weight (1 pce)
1 End stops	Grey	<input type="checkbox"/> BAM2	1SNA206351R1600	50	12.00
		<input type="checkbox"/> BADL	1SNA399903R0200	50	4.70
		<input type="checkbox"/> BADH	1SNA116900R2700	50	20.00
2 Terminal block markers	White	<input type="checkbox"/> MC512PA	1SNK149002R0000	1	10.00
		<input type="checkbox"/> MC512	1SNK140000R0000	22	9.00

Complete list of accessories is indicated in the terminal block datasheet including end stops.

Some accessories such as jumper bars may modify the terminal block's ratings: Complete information available in the accessories section of the catalog.



All the technical data for UL/CSA standard and dimensions in inches are in italic.

DBL125 distribution terminal blocks

Single pole - 28.2 mm 1.11 in spacing



DBL125

Description

- Save installation time with our modular solutions,
- Ease the installation with plate or rail mounting options on our modular blocks,
- Easily increase the number of outputs using jumpers.

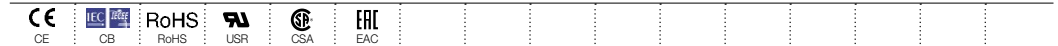
Ordering details

Description	Color	Type	Order code	Pkg qty	Weight (1 pce)
Feed-through Single pole distribution, 8 connections	Grey <input type="checkbox"/>	DBL125	1SNL312510R0000	1	120 g

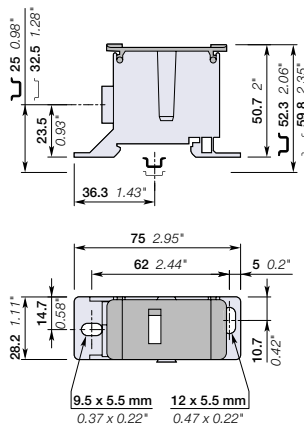
Main technical data

Connecting capacity	IEC		UL	Connection type	Cross section	
	Copper	Aluminium				
Max current / Max cross section	125 A / 35 mm ²	100 A / 35 mm ²	115 A / 2 AWG	1 x Ø 9.8 mm	10 ... 35 mm ²	10 ... 35 mm ²
Rated voltage	1000 V AC / 1500 V DC		1000 V	1 x Ø 6.8 mm	2.5 ... 16 mm ²	8 ... 2 AWG
Rated impulse voltage					14 ... 6 AWG	10 ... 6 AWG
Short-time withstand current (I _{ctw} 1s)	4000 A			6 x Ø 6.4 mm	2.5 ... 16 mm ²	2.5 ... 16 mm ²
Short Circuit Current Rating (SCCR)			100 kA		14 ... 6 AWG	14 ... 6 AWG
Rated peak withstand current (I _{pk})	30 kA					
Protection	IP20		NEMA 1			

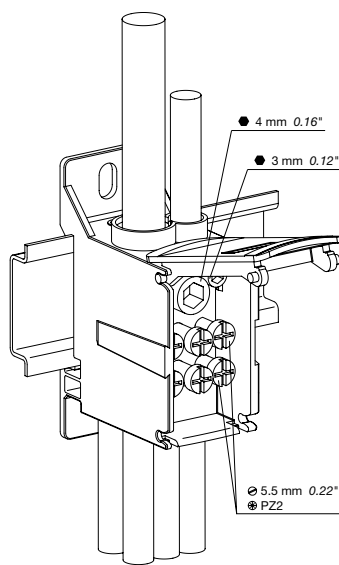
The connecting capacity data for one Rigid - Solid / Stranded - Flexible conductor (when applicable) is a mandatory information required by IEC, UL and CSA standards (Copper conductors). All other data are provided as supplementary information only. For more details, please consult our CB, UL or CSA certificates and technical datasheet available on <http://www.ABB.com>



Mounting instructions



28.2 mm 1.11 in spacing



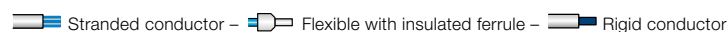
Rail	TH 35-7.5, TH 35-15			
Tool	Diameter of cable Ø	Wire stripping length	Recommended torque	
Allen key	4 mm 0.16 in	9.8 mm 0.39 in	15 mm 0.59 in	3.5 ... 5 Nm 31 ... 44 lb.in
Allen key	3 mm 0.12 in	6.8 mm 0.27 in	11 mm 0.43 in	2 ... 3 Nm 18 ... 26.5 lb.in
Posidriv - flat screwdriver	5.5 mm 0.22 in	6.4 mm 0.25 in	11 mm 0.43 in	2 ... 3 Nm 18 ... 26.5 lb.in

Accessories

Description	Color	Type	Order code	Pkg qty	Weight (1 pce)
1 End stops	Grey <input type="checkbox"/>	BAM2	1SNA206351R1600	50	12.00
		BADL	1SNA399903R0200	50	4.70
		BADH	1SNA116900R2700	50	20.00
2 Terminal block markers	White <input type="checkbox"/>	Pre-printed marker card	MC512PA	1	10.00
		Blank card	MC512	22	9.00

Complete list of accessories is indicated in the terminal block datasheet including end stops.

Some accessories such as jumper bars may modify the terminal block's ratings: Complete information available in the accessories section of the catalog.



All the technical data for UL/CSA standard and dimensions in inches are in *italics*.

DBL160 distribution terminal blocks

Single pole - 28.2 mm 1.11 in spacing



DBL160

Description

- Save installation time with our modular solutions,
- Ease the installation with plate or rail mounting options on our modular blocks,
- Easily increase the number of outputs using jumpers.

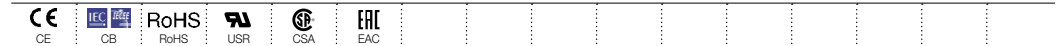
Ordering details

Description	Color	Type	Order code	Pkg qty	Weight (1 pce)
Feed-through Single pole distribution, 8 connections	Grey	DBL160	1SNL316010R0000	1	120

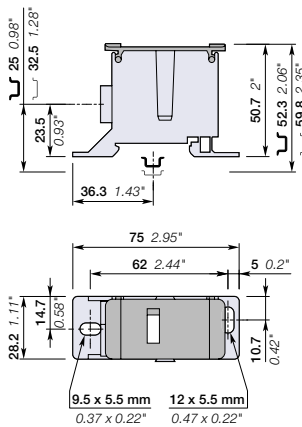
Main technical data

Connecting capacity	IEC	UL	Connection type	Cross section
Max current / Max cross section	Copper 160 A / 70 mm ² Aluminium 135 A / 70 mm ²	160 A / 2/0 AWG	1 x Ø 11.8 mm	16 ... 50 mm ² 6 ... 2/0 AWG
Rated voltage	1000 V AC / 1500 V DC	1000 V	1 x Ø 6.8 mm	2.5 ... 16 mm ² 14 ... 6 AWG
Rated impulse voltage			6 x Ø 6.4 mm	2.5 ... 16 mm ² 14 ... 6 AWG
Short-time withstand current (I _{sw} 1s)	11000 A			
Short Circuit Current Rating (SCCR)		100 kA		
Rated peak withstand current (I _{pk})	30 kA			
Protection	IP10	NEMA 1		

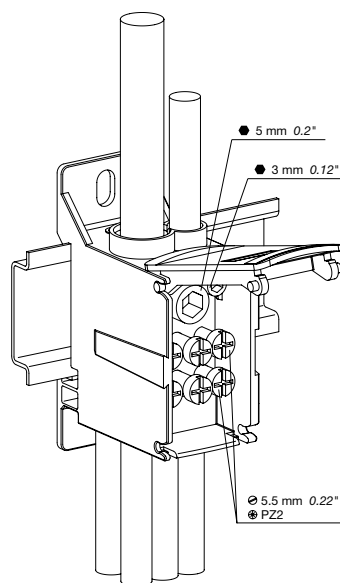
The connecting capacity data for one Rigid - Solid / Stranded - Flexible conductor (when applicable) is a mandatory information required by IEC, UL and CSA standards (Copper conductors). All other data are provided as supplementary information only. For more details, please consult our CB, UL or CSA certificates and technical datasheet available on <http://www.ABB.com>



Mounting instructions



28.2 mm 1.11 in spacing



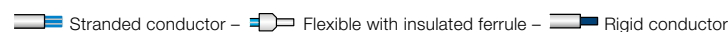
Rail	TH 35-7.5, TH 35-15			
Tool	Diameter of cable Ø	Wire stripping length	Recommended torque	
Allen key	5 mm 0.20 in	11.8 mm 0.46 in	18 mm 0.708 in	6... 10 Nm 53... 88 lb.in
Allen key	3 mm 0.12 in	6.8 mm 0.27 in	11 mm 0.43 in	2... 3 Nm 18... 26.5 lb.in
Posidriv - flat screwdriver	5.5 mm 0.22 in	6.4 mm 0.25 in	11 mm 0.43 in	2... 3 Nm 18... 26.5 lb.in

Accessories

Description	Color	Type	Order code	Pkg qty	Weight (1 pce)
1 End stops	Grey	BAM2	1SNA206351R1600	50	12.00
		BADL	1SNA399903R0200	50	4.70
		BADH	1SNA116900R2700	50	20.00
2 Terminal block markers	White	MC512PA	1SNK149002R0000	1	10.00
		MC512	1SNK140000R0000	22	9.00

Complete list of accessories is indicated in the terminal block datasheet including end stops.

Some accessories such as jumper bars may modify the terminal block's ratings: Complete information available in the accessories section of the catalog.



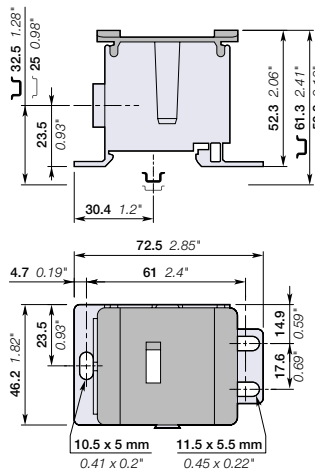
All the technical data for UL/CSA standard and dimensions in inches are in italic.

DBL175 distribution terminal blocks

Single pole - 46.2 mm 1.81 in spacing



DBL175



46.2 mm 1.81 in spacing

Description

- Save installation time with our modular solutions,
- Ease the installation with plate or rail mounting options on our modular blocks,
- Thanks to the two inputs, easily increase the number of outputs using jumper, or increase the current rating with two wires, 300 A with 50 mm² wires and 350 A with 2/0 AWG wires.

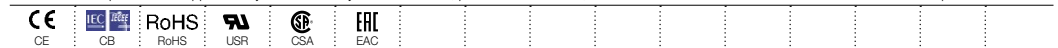
Ordering details

Description	Color	Type	Order code	Pkg qty	Weight (1 pce) g
Feed-through Single pole distribution, 12 connections	Grey <input type="checkbox"/>	DBL175	1SNL317510R0000	1	200

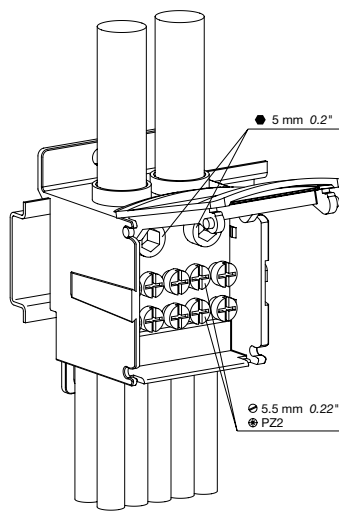
Main technical data

Connecting capacity	IEC		UL	Connection type	Cross section	
	Copper	Aluminium				
Max current / Max cross section	175 A / 70 mm ²	135 A / 70 mm ²	175 A / 2/0 AWG	2 x Ø 11.8 mm	10 ... 50 mm ²	10 ... 70 mm ²
Rated voltage	1000 V AC / 1500 V DC		1000 V	10 x Ø 6.4 mm	2.5 ... 16 mm ²	2.5 ... 16 mm ²
Rated impulse voltage					14 ... 6 AWG	14 ... 6 AWG
Short-time withstand current (I _{ctw} 1s)	11000 A					
Short Circuit Current Rating (SCCR)			100 kA			
Rated peak withstand current (I _{pk})	30 kA					
Protection	IP10		NEMA 1			

The connecting capacity data for one Rigid - Solid / Stranded - Flexible conductor (when applicable) is a mandatory information required by IEC, UL and CSA standards (Copper conductors). All other data are provided as supplementary information only. For more details, please consult our CB, UL or CSA certificates and technical datasheet available on <http://www.ABB.com>



Mounting instructions



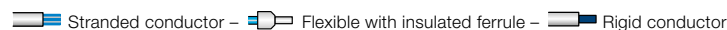
Rail	TH 35-7.5, TH 35-15		
Tool	Diameter of cable Ø	Wire stripping length	Recommended torque
Allen key			
5 mm 0.20 in	11.8 mm 0.46 in	15 mm 0.708 in	6... 10 Nm 53... 88 lb.in
Posidriv - flat screwdriver			
5.5 mm 0.22 in	6.4 mm 0.25 in	11 mm 0.43 in	2... 3 Nm 18... 26.5 lb.in



Accessories

Description	Color	Type	Order code	Pkg qty	Weight (1 pce) g
1 End stops	Grey <input type="checkbox"/>	BAM2	1SNA206351R1600	50	12.00
		BADL	1SNA399903R0200	50	4.70
		BADH	1SNA116900R2700	50	20.00
2 Terminal block markers	White <input type="checkbox"/>	MC512PA	1SNK149002R0000	1	10.00
		MC512	1SNK140000R0000	22	9.00

Complete list of accessories is indicated in the terminal block datasheet including end stops. Some accessories such as jumper bars may modify the terminal block's ratings: Complete information available in the accessories section of the catalog.



All the technical data for UL/CSA standard and dimensions in inches are in *italics*.

DBL250 distribution terminal blocks

Single pole - 46 mm 1.81 in spacing



Description

- Save installation time with our modular solutions,
- Ease the installation with plate or rail mounting options on our modular blocks.

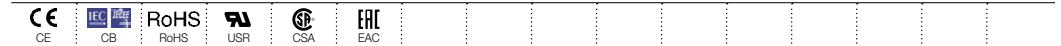
Ordering details

Description	Color	Type	Order code	Pkg qty	Weight (1 pce)
Feed-through Single pole distribution, 12 connections	Grey	DBL250	1SNL325010R0000	1	425 g

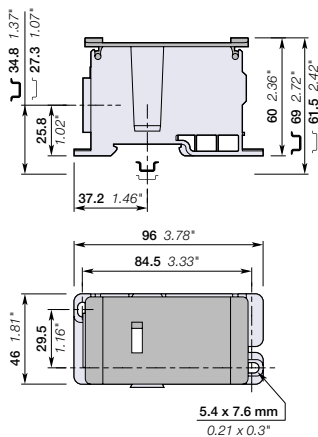
Main technical data

Connecting capacity	IEC	UL	Connection type	Cross section	
				mm²	Kcmil
Max current / Max cross section	Copper Aluminium	250 A / 120 mm² 200 A / 120 mm²	255 A / 250 Kcmil	1 x Ø 15.3 mm	35 ... 95 mm² 2 ... 3/0 AWG
Rated voltage		1000 V AC / 1500 V DC	1000 V	2 x Ø 8.7 mm	2.5 ... 25 mm² 14 ... 4 AWG
Rated impulse voltage				5 x Ø 6.4 mm	2.5 ... 16 mm² 14 ... 6 AWG
Short-time withstand current (I _{tw} 1s)		21000 A		4 x Ø 5.7 mm	2.5 ... 10 mm² 14 ... 8 AWG
Short Circuit Current Rating (SCCR)			100 kA		
Rated peak withstand current (I _{pk})		51 kA			
Protection		IP10	NEMA 1		

The connecting capacity data for one Rigid - Solid / Stranded - Flexible conductor (when applicable) is a mandatory information required by IEC, UL and CSA standards (Copper conductors). All other data are provided as supplementary information only. For more details, please consult our CB, UL or CSA certificates and technical datasheet available on <http://www.ABB.com>



DBL250



46 mm 1.81 in spacing

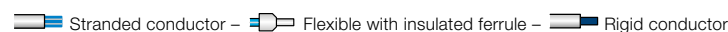
Mounting instructions

Tool	Diameter of cable Ø	Wire stripping length	Recommended torque
Allen key	6 mm 0.24 in	28 mm 1.10 in	19 ... 21 Nm 168 ... 185 lb.in
Flat screwdriver	5.5 mm 0.22 in	8.7 mm 0.34 in	3.5 ... 5 Nm 31 ... 44 lb.in
Flat screwdriver	4 mm 0.16 in	6.4 mm 0.25 in	2 ... 3 Nm 18 ... 26.5 lb.in
Flat screwdriver	4 mm 0.16 in	5.7 mm 0.22 in	2 ... 3 Nm 18 ... 26.5 lb.in

Accessories

Description	Color	Type	Order code	Pkg qty	Weight (1 pce)
1 End stops	Grey	BAM2	1SNA206351R1600	50	12.00
		BADL	1SNA399903R0200	50	4.70
		BADH	1SNA116900R2700	50	20.00
2 Terminal block markers	White	MC512PA	1SNK149002R0000	1	10.00
		MC512	1SNK140000R0000	22	9.00

Complete list of accessories is indicated in the terminal block datasheet including end stops. Some accessories such as jumper bars may modify the terminal block's ratings: Complete information available in the accessories section of the catalog.



All the technical data for UL/CSA standard and dimensions in inches are in *italics*.

DBL400 distribution terminal blocks

Single pole - 46 mm 1.81 in spacing



DBL400

Description

- Save installation time with our modular solutions,
- Ease the installation with plate or rail mounting options on our modular blocks.

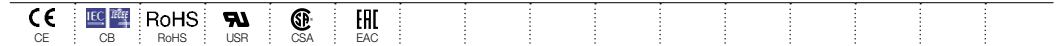
Ordering details

Description	Color	Type	Order code	Pkg qty	Weight (1 pce) g
Feed-through Single pole distribution, 12 connections	Grey	DBL400	1SNL340010R0000	1	410

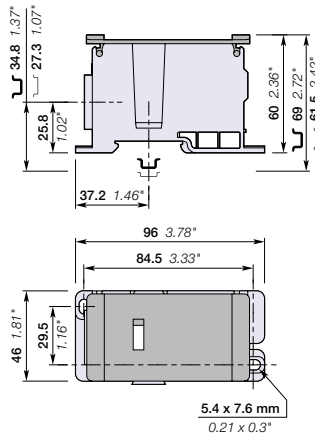
Main technical data

Connecting capacity	IEC		UL	Connection type	Cross section	
	Copper	Aluminium				
Max current / Max cross section	400 A / 185 mm ²	300 A / 185 mm ²	335 A / 400 Kcmil	1 x Ø 18.8 mm	95 ... 150 mm ²	95 ... 185 mm ²
Rated voltage	1000 V AC / 1500 V DC		1000 V	2 x Ø 8.7 mm	2.5 ... 25 mm ²	2.5 ... 35 mm ²
Rated impulse voltage				5 x Ø 6.4 mm	14 ... 4 AWG	14 ... 2 AWG
Short-time withstand current (I _{ctw} 1s)	21000 A			4 x Ø 5.7 mm	2.5 ... 16 mm ²	2.5 ... 16 mm ²
Short Circuit Current Rating (SCCR)			100 kA		14 ... 6 AWG	14 ... 6 AWG
Rated peak withstand current (I _{pk})	51 kA				2.5 ... 10 mm ²	2.5 ... 10 mm ²
Protection	IP10		NEMA 1		14 ... 8 AWG	14 ... 8 AWG

The connecting capacity data for one Rigid - Solid / Stranded - Flexible conductor (when applicable) is a mandatory information required by IEC, UL and CSA standards (Copper conductors). All other data are provided as supplementary information only. For more details, please consult our CB, UL or CSA certificates and technical datasheet available on <http://www.ABB.com>



Mounting instructions



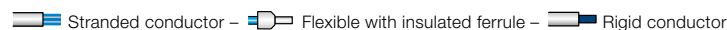
46 mm 1.81 in spacing

Tool	Diameter of cable Ø	Wire stripping length	Recommended torque
Allen key	8 mm 0.31 in	28 mm 1.10 in	25 Nm 221 lb.in
Flat screwdriver	5.5 mm 0.22 in	11 mm 0.43 in	3.5 ... 5 Nm 31 ... 44 lb.in
Flat screwdriver	4 mm 0.16 in	11 mm 0.43 in	2 ... 3 Nm 18 ... 26.5 lb.in
Flat screwdriver	4 mm 0.16 in	5.7 mm 0.22 in	2 ... 3 Nm 18 ... 26.5 lb.in

Accessories

Description	Color	Type	Order code	Pkg qty	Weight (1 pce) g
1 End stops	Grey	BAM2	1SNA206351R1600	50	12.00
		BADL	1SNA399903R0200	50	4.70
		BADH	1SNA116900R2700	50	20.00
2 Terminal block markers	White	MC512PA	1SNK149002R0000	1	10.00
		MC512	1SNK140000R0000	22	9.00

Complete list of accessories is indicated in the terminal block datasheet including end stops. Some accessories such as jumper bars may modify the terminal block's ratings: Complete information available in the accessories section of the catalog.



All the technical data for UL/CSA standard and dimensions in inches are in *italics*.

Contact us

ABB France
Electrification Products Division
Low Voltage Products and Systems
3, rue Jean Perrin
F-69687 Chassieu cedex / France

You can find the address of your local sales organisation
on the ABB home page



<http://www.abb.com/lowvoltage>



<http://new.abb.com/low-voltage/connection>

Note

We reserve the right to make technical changes or modify the contents of this document without prior notice.

ABB does not accept any responsibility whatsoever for potential errors or possible lack of information in this document.

We reserve all rights in this document and in the subject matter and illustrations contained therein. Any reproduction, disclosure to third parties or utilization of its contents – in whole or in parts – is forbidden without prior written consent of ABB.

Copyright© 2016 ABB - All rights reserved