



Elektromos installációs megoldások épületekhez katalógus 2020

Tartozékok

Electrical installation solutions for buildings

Accessories for MCBs and RCDs

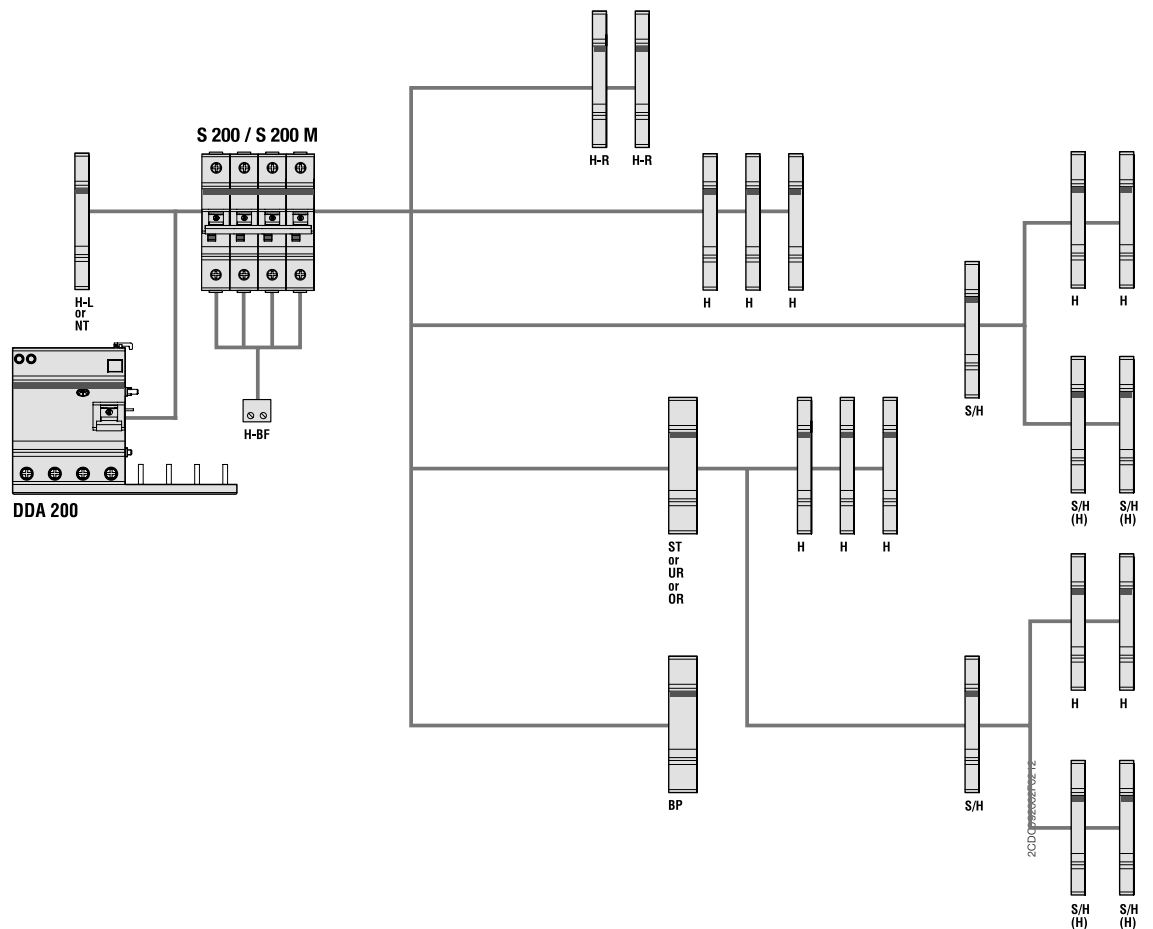
Index

Selection tables	4/2
Auxiliary elements for MCBs S200, SN 201, RCDs F 200, DS 200, DS201-DS202C, DS203NC, DSE201 M, AFDD S-ARC1 and Switch disconnectors SD 200 series	4/13
Accessories for MCBs, RCDs, AFDD and Switch Disconnectors	4/23
Motor operating and autoreclosing devices for MCBs, RCDs and Switch Disconnectors	4/24
Busbars and accessories for MCBs, RCDs and DS 200 series	4/28
Accessories for AFDD 1P+N, S-ARC1 busbars	4/35
Busbar systems selection table	4/36
Accessories for MCBs and RCDs busbars	4/52
Auxiliary elements for S750 DR	4/62
Accessories for S700	4/64
Auxiliary elements and accessories for MCBs S800	4/65
UNIFIX rapid wiring system	4/87
Accessories for MCBs and RCDs	
Auxiliary switch S700 + H2WR	4/89

Auxiliary elements and accessories for MCBs and RCDs

Selection tables

Combination of auxiliary elements with S200, S200M, S200P, DDA200 + S200 or DS200
(for S200 80-100A no combination with DDA)



H	Auxiliary contact	S2C-H6R
H-R	Auxiliary contact	S2C-H6-...R
S/H	Signal/Auxiliary contact	S2C-S/H6R
S/H (H)	Signal/Auxiliary contact used as auxiliary contact	S2C-S/H6R
ST	Shunt trip for S 200 MCB	S2C-A...
UR	Undervoltage release	S2C-UA
OR	Overvoltage release	S2C-OVP
H-L *	Auxiliary contact for S 200 MCBs to be mounted on the left	S2C-H...L
H-BF	Auxiliary contact for MCBs bottom fitting (1 for each pole of MCB)	S2C-H01/S2C-H10
BP	Mechanical tripping device	S2C-BP
NT	Switched neutral	S2C-Nt

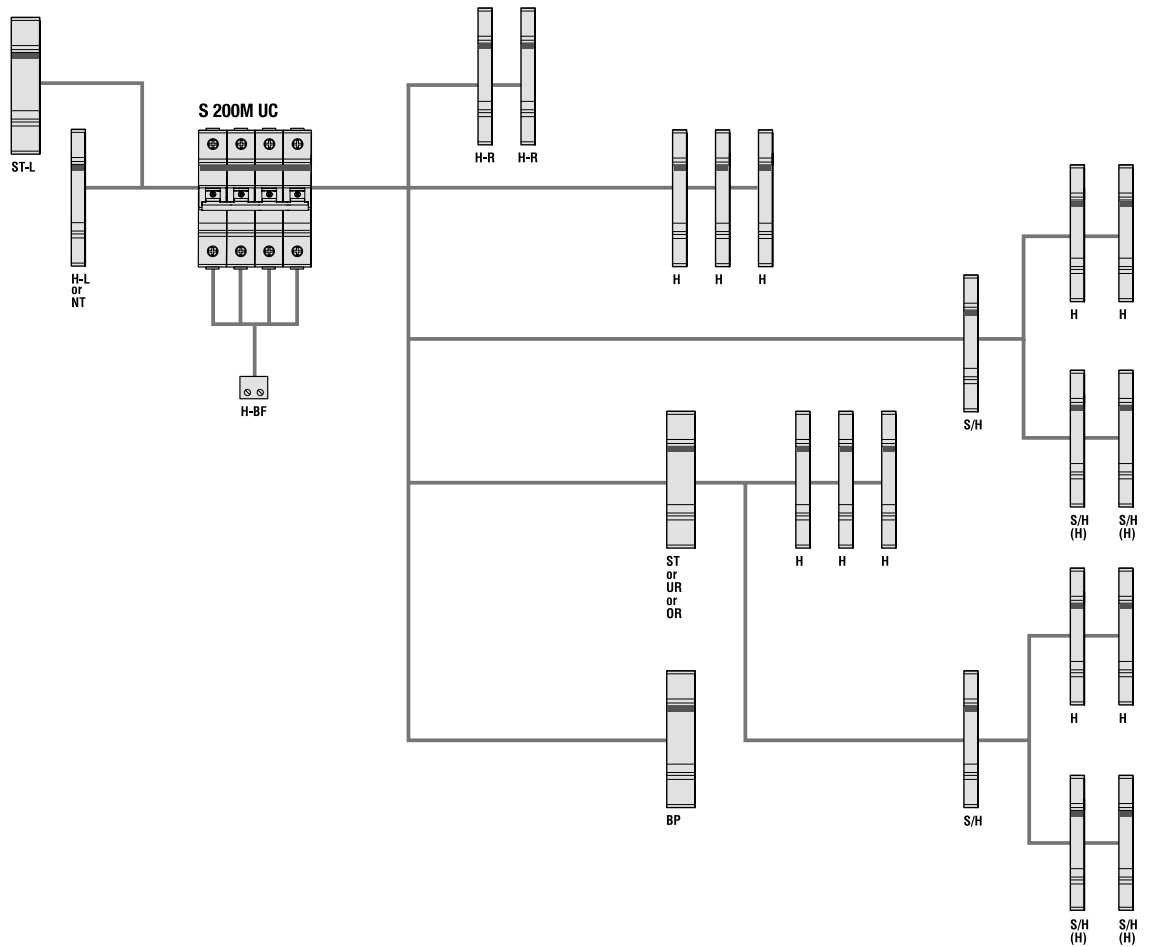
In case of using rotary operating mechanism S2C-DH (only right side mountable) the auxiliary devices left side and bottom fitting auxiliary contact could be used.

* H-L and H-BF cannot be coupled with DS200.

Auxiliary elements and accessories for MCBs and RCDs

Selection tables

Combination of auxiliary elements with S200M, S200MUC

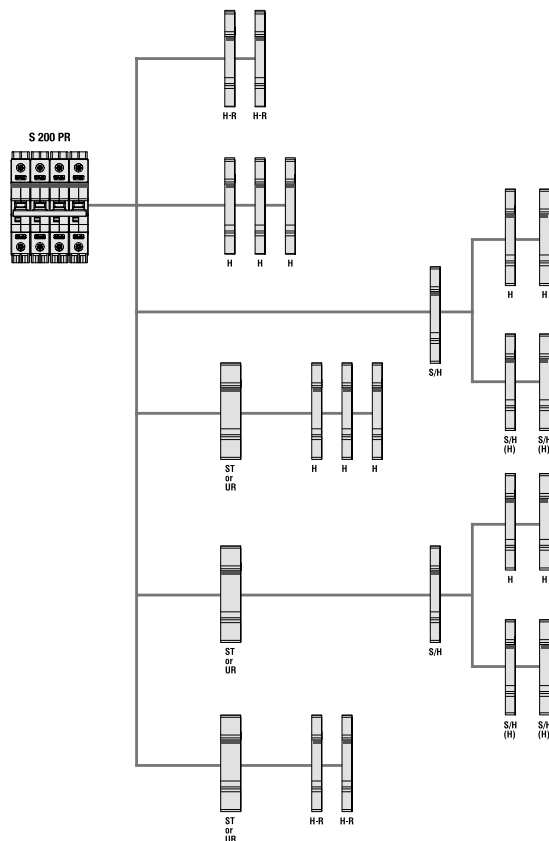


H	Auxiliary contact	S2C-H6R
H-R	Auxiliary contact	S2C-H6-...R
S/H	Signal/Auxiliary contact	S2C-S/H6R
S/H (H)	Signal/Auxiliary contact used as auxiliary contact	S2C-S/H6R
ST	Shunt trip for S 200 MCB	S2C-A...
ST-L	Shunt trip to be mounted on the left	
UR	Undervoltage release	S2C-UA
OR	Overvoltage release	S2C-OVP
H-L	Auxiliary contact for S 200 MCBs to be mounted on the left	S2C-H...L
H-BF	Auxiliary contact for MCBs bottom fitting (1 for each pole of MCB)	S2C-H01/S2C-H10
BP	Mechanical tripping device	S2C-BP
NT	Switched neutral	S2C-Nt

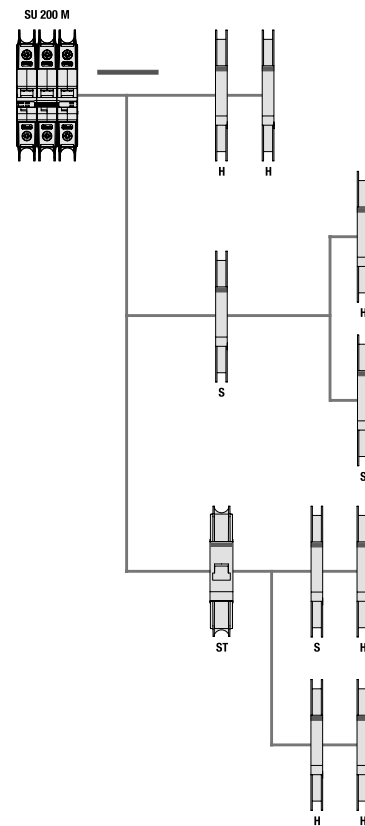
Auxiliary elements and accessories for MCBs and RCDs

Selection tables

Combination of auxiliary elements with S200PR



Combination of auxiliary elements with SU200M and S200UDC, SU200PR



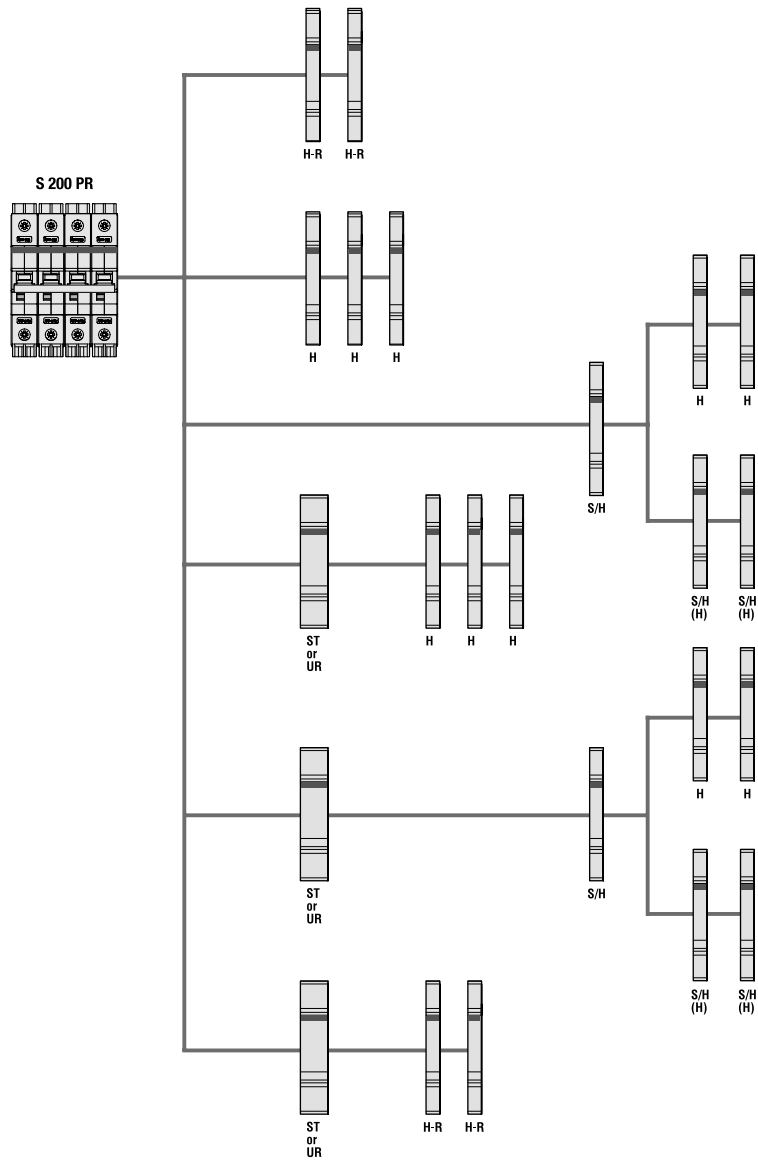
H	Auxiliary contact	S2C-H6R
H-R	Auxiliary contact	S2C-H6-...R
S/H	Signal/Auxiliary contact	S2C-S/H6R
S/H (H)	Signal/Auxiliary contact used as auxiliary contact	S2C-S/H6R
ST	Shunt trip	S2C-A...
UR	Undervoltage release	S2C-UA

H	Auxiliary contact	S2C-H6RU
S	Signal contact	S2C-S6RU
ST	Shunt trip	S2C-A...U

Auxiliary elements and accessories for MCBs and RCDs

Selection tables

Combination of auxiliary elements with S200P

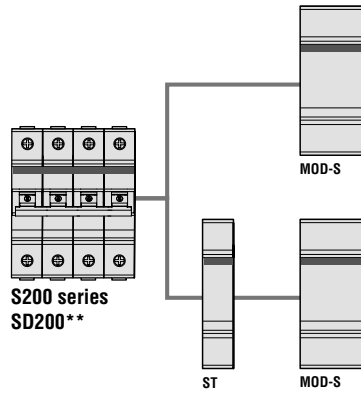


H	Auxiliary contact	S2C-H6R
H-R	Auxiliary contact	S2C-H6-...R
S/H	Signal/Auxiliary contact	S2C-S/H6R
S/H (H)	Signal/Auxiliary contact used as auxiliary contact	S2C-S/H6R
ST	Shunt trip	S2C-A...
UR	Undervoltage release	S2C-UA

Auxiliary elements and accessories for MCBs and RCDs

Selection tables

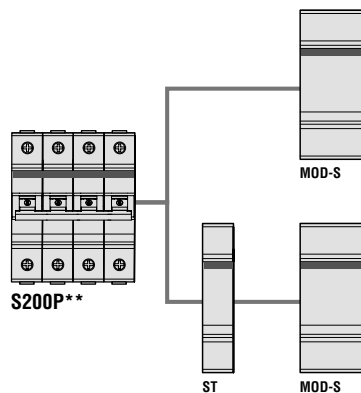
Combination of S200/SD200 with motor operating device



ST	Shunt trip for S 200 MCB	S2C-A...
MOD-S*	Motor operating device	S2C-CM...

* in case of using S 200 coupled with DDA 200, MOD-S doesn't operate in case of earth-leakage fault
 ** S200 series MCBs and SD200 switch disconnectors up to 3P or 2P+ST can be coupled with MOD-S

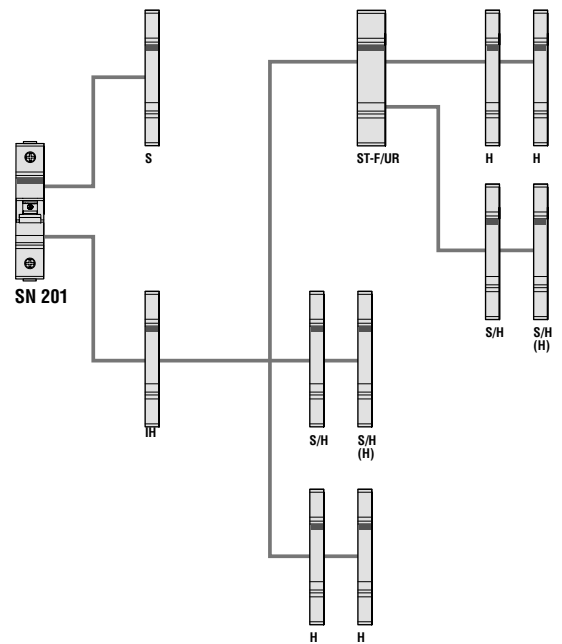
Combination of S200P with motor operating device



ST	Shunt trip for S 200 MCB S	S2C-A...
MOD-S*	Motor operating device	S2C-CM...

* in case of using S 200 coupled with DDA 200, MOD-S doesn't operate in case of earth-leakage fault
 ** S200P MCBs in all poles variants can be coupled with MOD-S

Combination of auxiliary elements with SN201

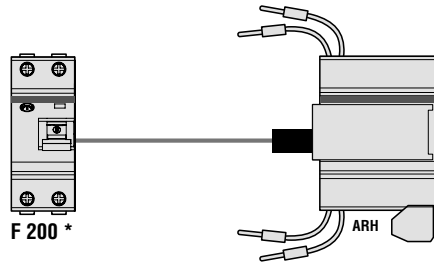


IH	Coupling interface/ auxiliary contact	SN201-IH
S	Signal contact	SN201-S
H	Auxiliary contact	S2C-H6R
S/H	Signal/auxiliary contact	S2C-S/H6R
S/H (H)	Signal/auxiliary contact used as auxiliary contact	S2C-S/H6R
ST-F	Shunt trip of F200 RCD	F2C-A
UR	Undervoltage release	S2C-UA

Auxiliary elements and accessories for MCBs and RCDs

Selection tables

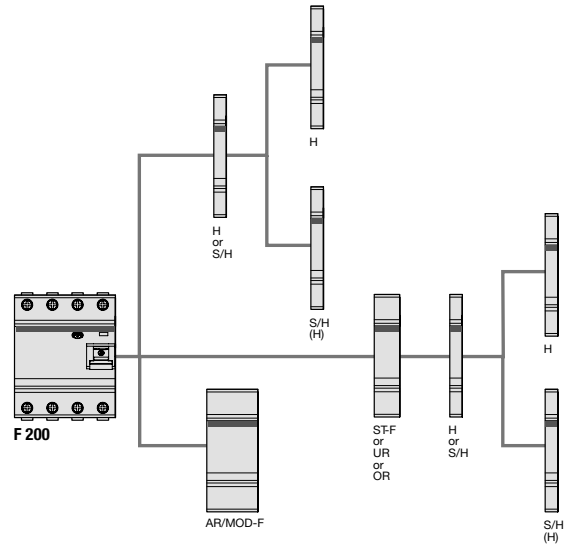
Combination of home automatic resetting unit with F200



ARH	Home automatic resetting unit	F2C-ARH
------------	-------------------------------	---------

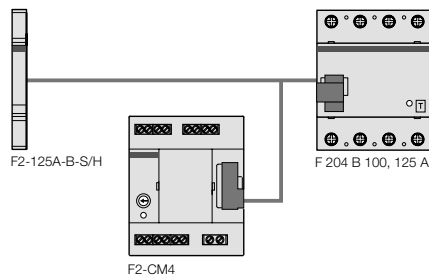
* F 202 30 mA or 100 mA (depending on ARH model), max 63 A

Combination of auxiliary elements with F200



H	Auxiliary contact	S2C-H6R
S/H	Signal/Auxiliary contact	S2C-S/H6R
S/H (H)	Signal/Auxiliary contact used as auxiliary contact	S2C-S/H6R
UR	Undervoltage release	S2C-UA
OR	Overvoltage release	S2C-OVP
AR	Auto reclosing unit	F2C-ARI
MOD-F	Motor operating device	F2C-CM
ST-F	Shunt trip for F 200 RCCB	F2C-A

F200 B high ratings

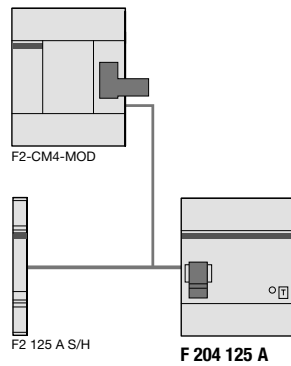


F2-125A-B-S/H	Signal/Auxiliary contact
F2-CM4-MOD	

Auxiliary elements and accessories for MCBs and RCDs

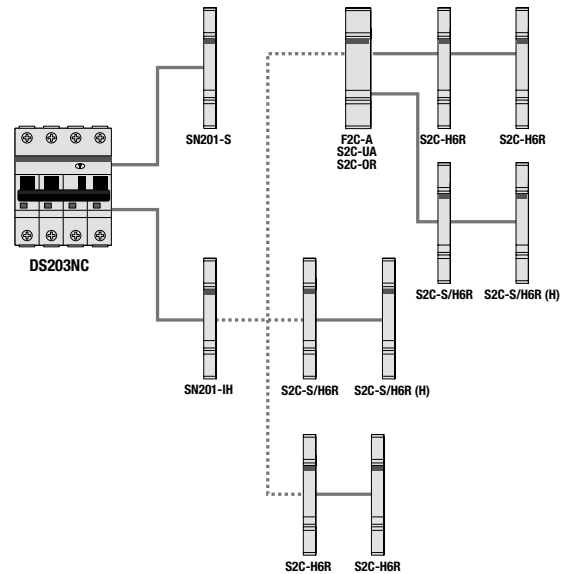
Selection tables

Combination of auxiliary elements with F204 125 A



F2-125A-B-S/H	Signal/Auxiliary contact
F2-CM4-MOD	Motor operating device

Combination of auxiliary elements with DS203NC

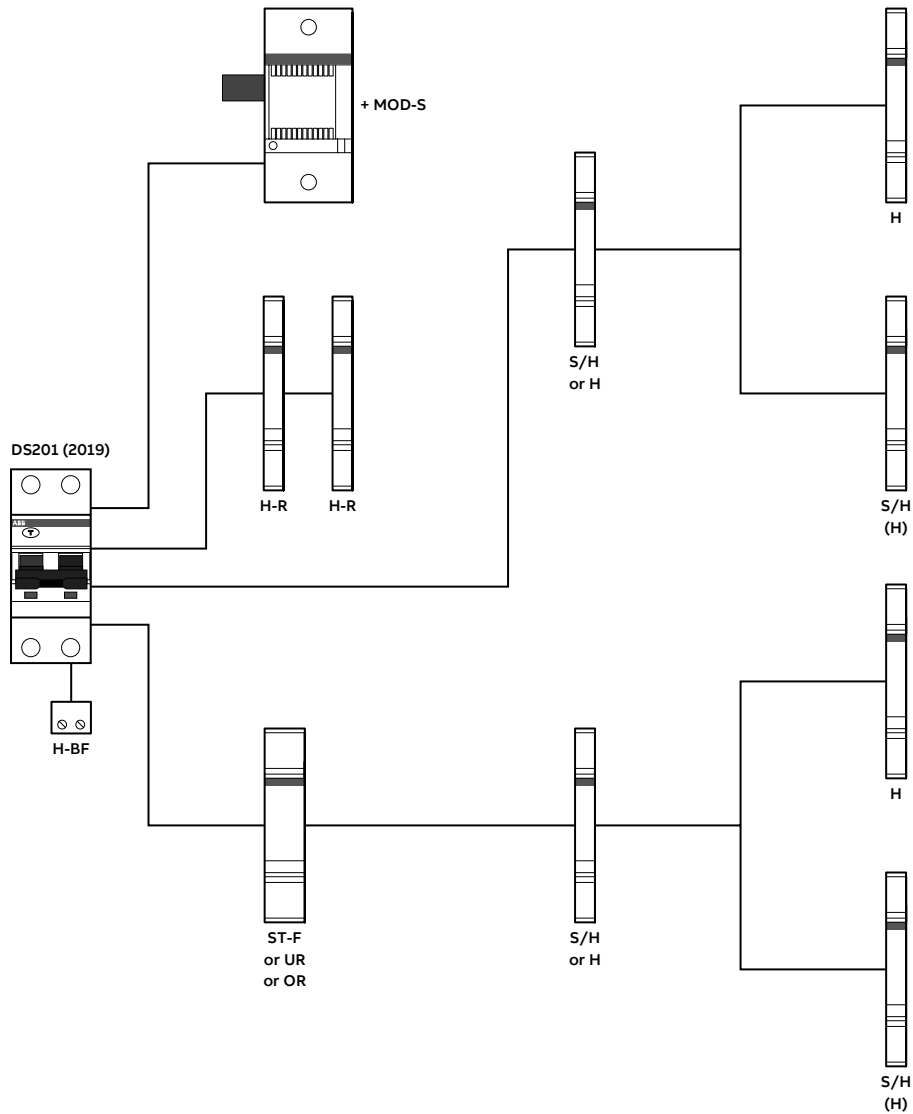


SN201-IH	coupling interface / auxiliary contact
SN201-S	signal contact
S2C-H6R	auxiliary contact
S2C-S/H6R	signal/ auxiliary contact
S2C-S/H6R (H)	signal/ auxiliary contact used as auxiliary contact
F2C-A	shunt trip
S2C-UA	undervoltage release
S2C-OR	overvoltage release

Auxiliary elements and accessories for MCBs and RCDs

Selection tables

Combination of auxiliary elements with DS201, DS201 (2019), DS202C

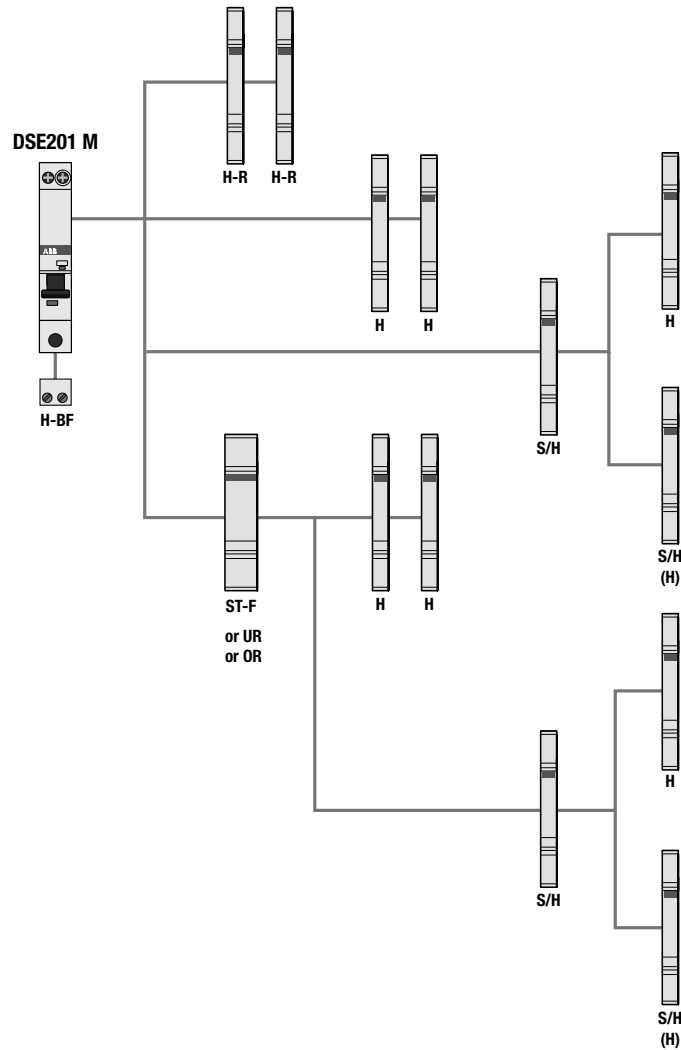


H	Auxiliary contact	S2C-H6R
H-R	Auxiliary contact	S2C-H6-xxR
S/H	Signal / auxiliary contact	S2C-S/H6R
S/H (H)	Signal / auxiliary contact used as auxiliary contact	S2C-S/H6R
ST-F	Shunt Trip	F2C-A
UR	Undervoltage release	S2C-UA
OR	Oversvoltage release	S2C-OVP
H-BF	Auxiliary contact for bottom fitting (only DS201 (2019))	S2C-H01 / S2C-H10
MOD-S	Motor operating device (for DS201 (2019))	S2C-CM2/3
MOD-S	Motor operating device (for DS201 and DS202C)	DS2C-CM

Auxiliary elements and accessories for MCBs and RCDs

Selection tables

Combination of auxiliary elements with DSE201 M

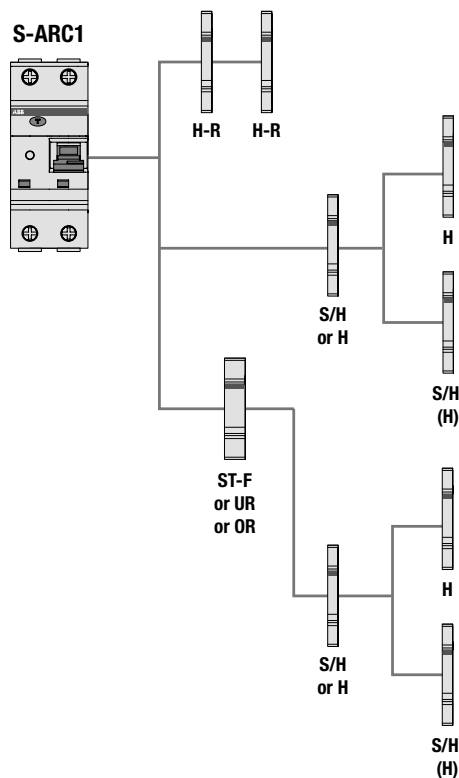


H	Auxiliary contact	S2C-H6R
H-R	Auxiliary contact	S2C-H6R / S2C-H6-xxR
S/H	Signal/Auxiliary contact	S2C-S/H6R
S/H (H)	Signal/Auxiliary contact used as auxiliary contact	S2C-S/H6R
ST-F	Shunt trip for RCD	F2C-A
UR	Undervoltage release	S2C-UA
OR	Overvoltage release	S2C-OVP
H-BF	Auxiliary contact for bottom fitting	S2C-H01 / S2C-H10

Auxiliary elements and accessories for AFDD

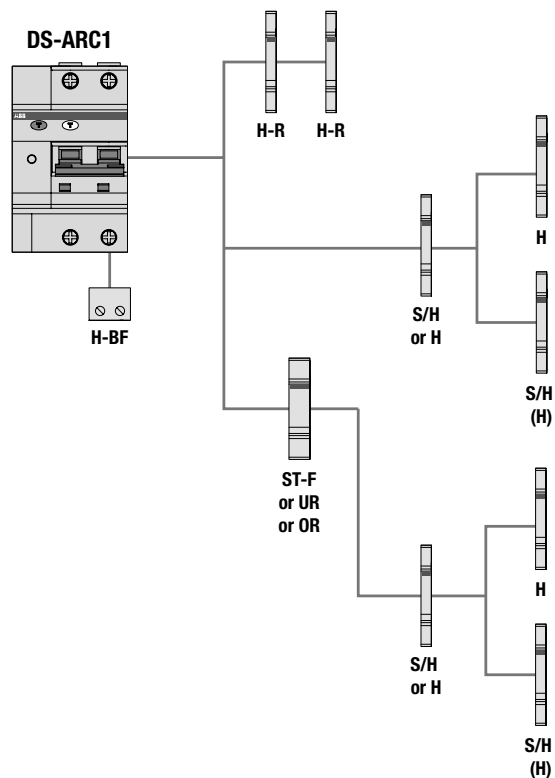
Selection tables

Combination of auxiliary elements
with S-ARC1 and S-ARC1 M



H	Auxiliary contact	S2C-H6R
H-R	Auxiliary contact	S2C-H6R / S2C-H6-xxR
S/H	Signal/Auxiliary contact	S2C-S/H6R
S/H (H)	Signal/Auxiliary contact used as auxiliary contact	S2C-S/H6R
ST-F	Shunt trip for RCD	F2C-A
UR	Undervoltage release	S2C-UA
OR	Overvoltage release	S2C-OVP

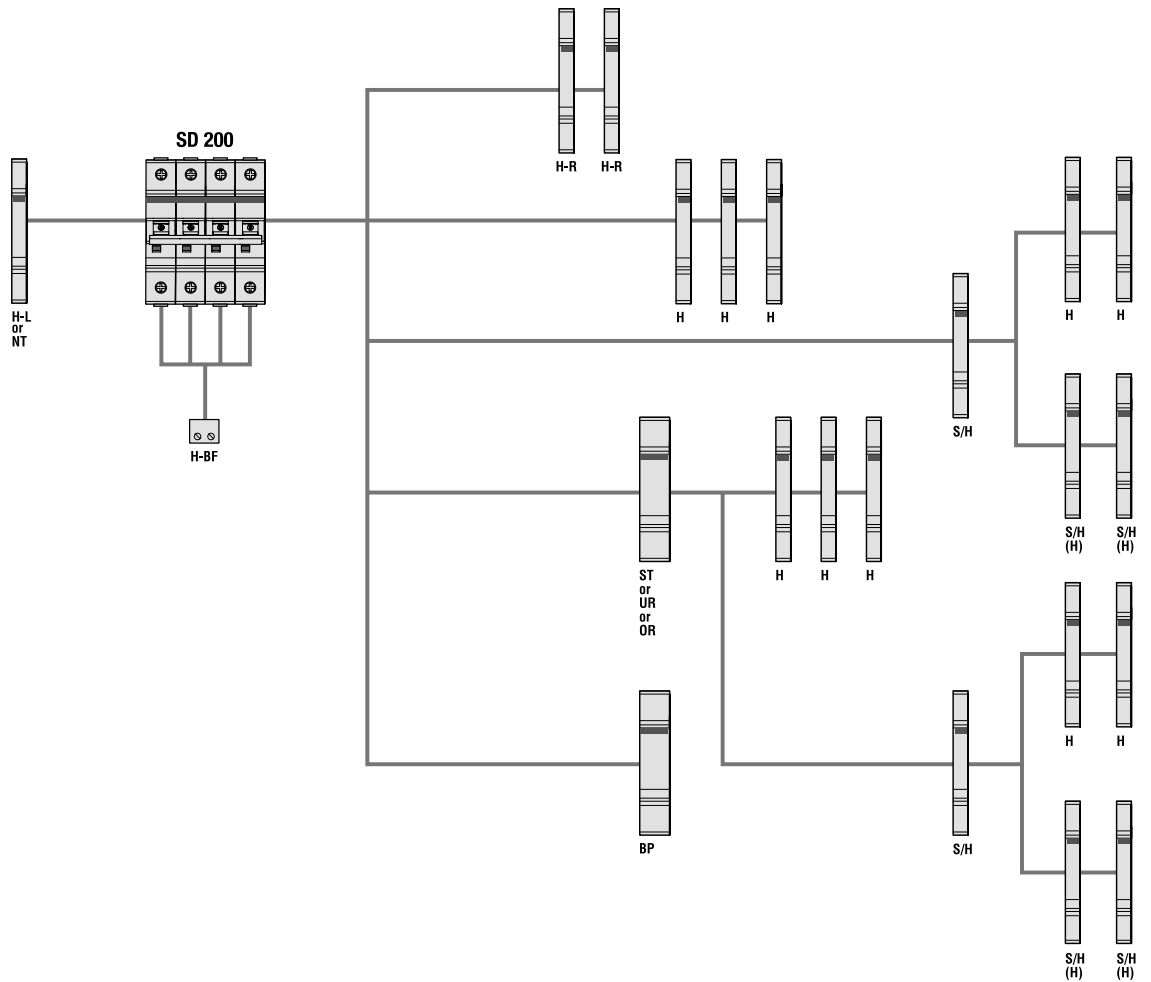
Combination of auxiliary elements
with DS-ARC1



H	Auxiliary contact	S2C-H6R
H-R	Auxiliary contact	S2C-H6R / S2C-H6-xxR
S/H	Signal/Auxiliary contact	S2C-S/H6R
S/H (H)	Signal/Auxiliary contact used as auxiliary contact	S2C-S/H6R
ST-F	Shunt trip for RCD	F2C-A
UR	Undervoltage release	S2C-UA
OR	Overvoltage release	S2C-OVP
H-BF	Auxiliary contact for bottom fitting	S2C-H01/ S2C-H10

Auxiliary elements and accessories for Switch Disconnectors SD 200

Selection tables



H	Auxiliary contact	S2C-H6R
H-R	Auxiliary contact	S2C-H6-...R
S/H	Signal/Auxiliary contact	S2C-S/H6R
S/H (H)	Signal/Auxiliary contact used as auxiliary contact	S2C-S/H6R
NT	Switched neutral	S2C-Nt
MOD-S	Motor operating device	S2C-CM
OR	Oversvoltage release	S2C-OVP
BP	Mechanical tripping device	S2C-BP
ST	Shunt trip	S2C-A...
UR	Undervoltage release	S2C-UA

Auxiliary elements for

MCBs S 200, SN 201, RCDs F 200, DS 200, DS201-DS202C, DS203NC, DSE201 M, AFDD S-ARC1 and Switch disconnectors SD 200 series



Auxiliary elements

Auxiliary contact and signal/auxiliary contact		
S2C-S/H6R, S2C-H6R, S2C-H11L, S2C-H20L and S2C-H02L		
Utilization category		AC14 1A/400V, 2A/230V - DC12 1A/220V, 1,5A/110V - DC13 2A/60V, 4A/24V
Conventional free air thermal current	A	10
Min. operational current/voltage*		10 mA at 12 V; 5 mA at 24 V
Rated conditional short-circuit current	V	230 V AC 1,000 A with S201 K4
Overvoltage category		III
Rated impuls withstand voltage (1.2/50µs)	kV	4
Cross-section of conductors	mm ²	0.75...2.5 (up to 2 x 1.5 mm ² for S2C-H11L, S2C-H20L and S2C-H02L)
Tightening torque	Nm	1.2 (max. 0.8 for S2C-H11L, S2C-H20L and S2C-H02L)
Contact stability in vibration test according to IEC/EN 60 068-2-6		5g, 20 sweep cycles 5...150...5 Hz at 24 V AC/DC, 5 mA automatic reclosing < 10 ms
Mechanical service life		10000 operations
Dimensions (H x D x W)	mm	85 x 69 x 8.8

Auxiliary contact and signal/auxiliary contact		
S2C-H6-11R, S2C-H6-20R, S2C-H6-02R		
Utilization category		AC14: 1A/400V, 2A/230V DC12/DC13: 1A/50V, 2A/30V
Conventional free air thermal current	A	10
Min. rated operational current/voltage*		10 mA at 12 V; 5 mA at 24 V
Rated conditional short-circuit current	V	230 V AC 1,000 A with S201 K4
Overvoltage category		III
Rated impuls withstand voltage (1.2/50µs)	kV	4
Cross-section of conductors	mm ²	0.75...2.5
Tightening torque	Nm	1.2
Contact stability in vibration test according to IEC/EN 60068-2-6		5g. 20 sweep cycles 5...150...5 Hz at 24 V AC/DC. 5mA automatic reclosing < 10 ms
Mechanical service life		10000 operations
Dimensions (H x D x W)	mm	85 x 69 x 8.8

* ensures safe contacting without current interruption by pollution layer

Auxiliary elements for

MCBs S 200, SN 201, RCDs F 200, DS 200, DS201-DS202C, DS203NC, DSE201 M, AFDD S-ARC1 and Switch disconnectors SD 200 series



S2C-S/H6R

Signal/auxiliary contacts

Signal contacts indicate if a device tripped due to a failure (overcurrent/short-circuit for MCBs and RCBOs; earth fault for RCCBs and RCBOs).

Auxiliary contacts indicate the position of the contacts, independent if a failure occurred or the device was operated manually.

S2C-S/H6R: choice through a selector between signal and auxiliary contact.

S2C-H6R and S2C-HxxR: Auxiliary contacts with contact configuration according the following table. All right-side mounted contacts are suitable for MCBs, RCDs, AFDD and switch disconnectors SD200 according the "Selection tables" which are displayed in the beginning of chapter 4.

S2C-HxxL: Auxiliary contacts with contact configuration according the following table. These contacts are left-side mounted and fit to S200 MCBs and switch disconnectors SD200 according the "Selection tables" which are displayed in the beginning of chapter 4. Especially when using a motor operating device this is a possibility to add a contact as the right side mounted ones do not fit within this combination.

S2C-Hxx: Unique bottom-fitting contact for the S200 compact range, DS201 (2019), DSE201 M and SD200 switch disconnectors. Simple and space-saving solution. Also intended for retrofitting.



S2C-H6...

Description	Bbn 4016779	Order details		Price 1 piece	Weight 1 piece	Pack unit
	EAN	Type code	Order code		kg	pc.
Signal contact/ auxiliary switch 1CO	563819	S2C-S/H6R	2CDS200922R0001		0.04	1
Auxiliary contact 1CO	563826	S2C-H6R	2CDS200912R0001		0.04	1
Auxiliary contact 1NO/1NC	697941	S2C-H6-11R	2CDS200946R0001		0.04	1
Auxiliary contact 2NO	697958	S2C-H6-20R	2CDS200946R0002		0.04	1
Auxiliary contact 2NC	697965	S2C-H6-02R	2CDS200946R0003		0.04	1

Auxiliary contacts mounting on the left side

Description	Bbn 4016779	Order details		Price 1 piece	Weight 1 piece	Pack unit
	EAN	Type code	Order code		kg	pc.
Auxiliary contact 1 NO/1NC	648820	S2C-H11L	2CDS200936R0001		0.04	1
Auxiliary contact 2 NO	648837	S2C-H20L	2CDS200936R0002		0.04	1
Auxiliary contact 2 NC	648844	S2C-H02L	2CDS200936R0003		0.04	1

Auxiliary elements for

MCBs S 200, SN 201, RCDs F 200, DS 200, DS201-DS202C, DS203NC, DSE201 M, AFDD S-ARC1 and Switch disconnectors SD 200 series



S2C-H

Bottom-fitting auxiliary contact		
S2C-H10 and S2C-H01		
Conventional free air thermal current	A	7.5
Utilization category		AC14 2A/230V - DC 12 identical DC13 1A /50V, 2A/30V
Min. operational current/voltage*	V	10 mA at 12 V AC/DC
Rated conditional short-circuit current		230 VAC 1000 A, fault protection with S 201-K2 or Z2
Tightening torque	Nm	0.5
Cross-section of conductors	mm ²	0.75 to 2.5
Mechanical service life		4 000 operations
Dimensions (HxDxW)		19 x 17 x 17.5

* ensures safe contacting without current interruption by pollution layer

Bottom-fitting auxiliary contacts for S 200, S 200 M, S 200 P, S 200 S, SD 200, DS201 (2019), DSE201 M, DS-ARC1

Description	Bbn	Order details		Price	Weight	Pack
	4016779			1 piece	1 piece	unit
	EAN	Type code	Order code		kg	pc.
1 NC	065108	S 2C-H01	2CDS200970R0031		0.01	1
1 NO	065139	S 2C-H10	2CDS200970R0032		0.01	1

packing unit 15 parts

Description	Bbn	Order details		Price	Weight	Pack
	4016779			1 piece	1 piece	unit
	EAN	Type code	Order code		kg	pc.
1 NC	065160	S 2C-H01 15x	2CDS200970R0041		0.01	15
1 NO	065191	S 2C-H10 15x	2CDS200970R0042		0.01	15

Auxiliary contact bridge for bottom-fitting auxiliary contacts

Wire jumper for integrated auxiliary contact S2C-H01/S2C-H10 for series connections (HKB) or parallel connections (HKB1).

Description	Bbn	Order details		Price	Weight	Pack
	8012542			1 piece	1 piece	unit
	EAN	Type code	Order code		kg	pc.
1/2 mod.	523134	HKB	GHV0360504R0100		0.001	1000
1 mod.	524209	HKB 1	GHV0360504R0101		0.001	1000

Signal and auxiliary contacts

		SN201-S	SN201-IH
Terminals	mm ²	2x1,5	
Tightening torque	N	1.2	
Dimensions	mm	H: 85 x D: 68 x W: 8.9	H: 85 x D: 68,7 x W: 8.9
Rated voltage	V	230	
Rated current	A	2	

Auxiliary elements for

MCBs S 200, SN 201, RCDs F 200, DS 200, DS201-DS202C, DS203NC, DSE201 M, AFDD S-ARC1 and Switch disconnectors SD 200 series



SN201-S

Utilization category / contact capacity				
SN201-S, SN201-IH				
AC14	Ue	V	400	230
	Ie	A	1	2
DC12	Ue	V	220	110
	Ie	A	1	1,5
DC13	Ue	V	60	24
	Ie	A	2	4

Signal contact for SN201 MCBs and DS203NC RCBOs

Function: indication of the device contact positions only after the automatic release of the MCBs/RCBOs due to overcurrent.



SN201-IH

Description	Bbn	Order details		Price	Weight	Pack
	8012542			1 piece	1 piece	unit
	EAN	Type code	Order code		kg	pc.
Signal contact 1CO	104957	SN201-S	2CSS200924R0001		0.040	1

Auxiliary contact / interface module for SN201 MCBs and DS203NC RCBOs

Function: indication of the device contact positions. The auxiliary contact can be used as an interface module between SN201, DS203NC and other compact auxiliary elements.

Description	Bbn	Order details		Price	Weight	Pack
	8012542			1 piece	1 piece	unit
	EAN	Type code	Order code		kg	pc.
Interface module/Aux. Contact 1CO	104858	SN201-IH	2CSS200923R0001		0.050	1

Signal and auxiliary contacts for F 200 125A and F 200 B

F2 125A-S/H			
Rated current	AC	A	6
	DC	A	1
Min. rated voltage Ub min	AC	V	230
	DC	V	110
Connection cross section		mm ²	1...1.5
Tightening torque		Nm	0.8
Dimensions (H x D x W)		mm	85 x 69 x 8.8

Auxiliary/Signal contact for F 200 125A and F 200 B

Function: choice through a selector between indication of the position of the device's contacts and signalling of the earth fault. Suitable for RCCBs F 200 125A and F 200 B series



F2-125A-B-S/H

Description	Bbn	Order details		Price	Weight	Pack
	8012542			1 piece	1 piece	unit
	EAN	Type code	Order code		kg	pc.
Auxiliary/Signal contact 1CO+1NC	600527	F2-125A-B-S/H	2CSF200922R0001		0.04	1

Clamping cover for F200 125A-F200 B type

Description	Bbn	Order details		Price	Weight	Pack
	4016779			1 piece	1 piece	unit
	EAN	Type code	Order code		kg	pc.
	999638	CPV B	2CSF200988R0001			1

Auxiliary elements for

MCBs S 200, SN 201, RCDs F 200, DS 200, DS201-DS202C, DS203NC, DSE201 M, AFDD S-ARC1 and Switch disconnectors SD 200 series



S2C-A

Shunt trip for S 200 MCBs								
S2C-A1								
Rated voltage	AC	V	12...60					
	DC	V	12...60					
Max release duration		ms	<10 @ Rated voltage					
Min. release voltage	AC	V	8.4					
	DC	V	8.4					
Power consumption	Ub	V	12	24	24	60	60	
			DC	AC	DC	AC	DC	AC
	Ib max	A	2.2	2.5	4.5	5	14	8.8
Coil resistance		Ω	3.7					
Terminals			Fale-safe bi-directional cylinder-lift-terminal					
Tightening torque		Nm	2.8					
Dimensions (H x D x W)		mm	85 x 69 x 17.5					
S2C-A2								
Rated voltage	AC	V	110...415					
	DC	V	110...250					
Max release duration		ms	<10 @ Rated voltage					
Min. release voltage	AC	V	77					
	DC	V	77					
Power consumption	Ub	V	110	110	220	230	415	
			DC	AC	DC	AC	AC	
	Ib max	A	0.4	0.5	1.1	1.0	2.7	
Coil resistance		Ω	225					
Terminals			Fale-safe bi-directional cylinder-lift-terminal					
Tightening torque		Nm	2.8					
Dimensions (H x D x W)		mm	85 x 69 x 17.5					

Shunt trips

Function: remote opening of the device when a voltage is applied. Suitable for MCBs S 200 series, RCBOs DS 200 series, SD 200 switch disconnectors series.

Shunt trips use a coil like MCBs for tripping. To trip a shunt it is necessary to choose the right voltage and make sure the corresponding Ibmax (as mentioned in the table above) is provided by the power supply used. If the power supply can provide higher currents the shunt trip will reduce the current to Ibmax due to its internal resistance.

As soon as the shunt tripped, the contact inside is open – the electrical circuit is disconnected even if the shunt trip is still powered on. The free-tripping mechanism of the shunt trip allows a restart of the MCB only after the shunt trip gets no external release signal anymore.

Rated voltage	Bbn	Order details			Price	Weight	Pack
	4016779				1 piece	1 piece	unit
	EAN	Type code	Order code		kg	pc.	
AC/DC 12...60 V	570992	S2C-A1	2CDS200909R0001		0.15	1	
AC 110...415 V/DC110...250 V	571005	S2C-A2	2CDS200909R0002		0.15	1	

Auxiliary elements for

MCBs S 200, SN 201, RCDs F 200, DS 200, DS201-DS202C, DS203NC, DSE201 M, AFDD S-ARC1 and Switch disconnectors SD 200 series



F2C-A

Shunt trip for F 200 RCCBs							
F2C-A1							
Rated voltage	AC	V	12...60				
	DC	V	12...60				
Max release duration		ms	10				
Min. release voltage	AC	V	6				
	DC	V	4.5				
Consumption on release	Ub	V	12 DC	12 AC	24 DC	60 DC	60 AC
	Ib max	A	0.88	0.65	1.58	5.8	5
Coil resistance		Ω	5.5				
Terminals		mm ²	2x1.5				
Tightening torque		Nm	0.2				
Dimensions (H x D x W)		mm	85 x 69 x 17.5				
F2C-A2							
Rated voltage	AC	V	110...415				
	DC	V	110...250				
Max release duration		ms	10				
Min. release voltage	AC	V	75				
	DC	V	55				
Consumption on release	Ub	V	110 DC	110 AC	250 DC	415 AC	
	Ib max	A	0.05	0.03	0.1	0.16	
Coil resistance		Ω	1355				
Terminals		mm ²	2x1.5				
Tightening torque		Nm	0.2				
Dimensions (H x D x W)		mm	85 x 69 x 17.5				

Function: remote opening of the device when a voltage is applied. Suitable for RCCBs F 200 series and RCBOs DS201, DS201 (2019), DS202C, DSE201 M, AFDD S-ARC1.

It can be used with MCBs SN201 and RCBOs DS203NC series by means of SN201-IH interface module.

Rated voltage	Bbn	Order details			Price	Weight	Pack
	8012542				1 piece	1 piece	unit
	EAN	Type code	Order code		kg	pc.	
AC/DC 12...60V	974901	F2C-A1	2CSS200933R0011		0.15	1	
AC 110...415V / DC 110...250V	975007	F2C-A2	2CSS200933R0012		0.15	1	

Auxiliary elements for

MCBs S 200, SN 201, RCDs F 200, DS 200, DS201-DS202C, DS203NC, DSE201 M, AFDD S-ARC1 and Switch disconnectors SD 200 series



S2C-UA

Undervoltage release			S2C-UA 12 DC	S2C-UA 24 AC	S2C-UA 24 DC	S2C-UA 48 AC	S2C-UA 48 DC
Standards			IEC/EN 60947-1				
Rated voltage	AC	V	24		48		
	DC	V	12	24		48	
Frequency		Hz	50...60				
Release trip		V	0.35 Un \geq V \geq 0.7 Un				
Terminals		mm ²	2x1.5				
Consumption		VA	2.2	3.6	2	3.6	2.1
Resistance to corrosion		°C/RH	constant atmosphere: 23/83 - 40/93 - 55/20; variable atmosphere: 25/95 - 40/93				
Protection degree			IPXXB/IP2X				
Tightening torque		Nm	0.4				
Dimensions (H x D x W)		mm	85 x 69 x 17.5				
Undervoltage release			S2C-UA 110 AC	S2C-UA 110 DC	S2C-UA 230 AC	S2C-UA 230 DC	S2C-UA 400 AC
Standards			IEC/EN 60947-1				
Rated voltage	AC	V	110	230		400	
	DC	V	110		230		
Frequency		Hz	50...60				
Release trip		V	0.35 Un M V M 0.7 Un				
Terminals		mm ²	2x1.5				
Consumption		VA	3.5	2.2	3.7	2.3	2.4
Resistance to corrosion		°C/RH	constant atmosphere: 23/83 - 40/93 - 55/20; variable atmosphere: 25/95 - 40/93				
Protection degree			IPXXB/IP2X				
Tightening torque		Nm	0.4				
Dimensions (H x D x W)		mm	85 x 69 x 17.5				

Undervoltage releases

Function: protection of the load in the event of a voltage drop (between 70% and 35% of its rated value); positive safety (device's tripping when the voltage is disconnected) emergency stop by means of a button. Suitable for MCBs S 200 series, RCCBs F200 series and RCBOs DS201, DS201 (2019), DS202C, DSE201 M, AFDD S-ARC1 series, DS 200 series, SD 200 switch disconnectors series. It can be used with MCBs SN201 and RCBOs DS203NC series by means of SN201-IH interface module.

Rated voltage	Bbn 8012542	Order details		Price 1 piece	Weight 1 piece	Pack unit
		EAN	Type code			
12VDC	839705	S2C-UA 12 DC	2CSS200911R0001	0.09	1	
24VAC	839804	S2C-UA 24 AC	2CSS200911R0002	0.09	1	
24VDC	896401	S2C-UA 24 DC	2CSS200911R0007	0.09	1	
48VAC	839903	S2C-UA 48 AC	2CSS200911R0003	0.09	1	
48VDC	896500	S2C-UA 48 DC	2CSS200911R0008	0.09	1	
110VAC	840008	S2C-UA 110 AC	2CSS200911R0004	0.09	1	
110VDC	896609	S2C-UA 110 DC	2CSS200911R0009	0.09	1	
230VAC	840107	S2C-UA 230 AC	2CSS200911R0005	0.09	1	
230VDC	896708	S2C-UA 230 DC	2CSS200911R0010	0.09	1	
400VAC	840206	S2C-UA 400 AC	2CSS200911R0006	0.09	1	

Auxiliary elements for

MCBs S 200, SN 201, RCDs F 200, DS 200, DS201-DS202C, DS203NC, DSE201 M, AFDD S-ARC1 and Switch disconnectors SD 200 series



S2C-OVP

Overvoltage release			
		S2C - OVP2	S2C - OVP1
Rated voltage	VAC	230	
Rated frequency	Hz	50	
Max non-tripping voltage AC	V	253	
Max tripping voltage AC	V	290	275
Tripping time	@ 290V AC	s	t<1
	@ 380V AC	s	t<0.1
Peak current	@ 315V AC	A	1
	@ 440V AC	A	1.8
Max duration of impulse command	ms	7	
Operating temperature	°C	-5....+40	

Overvoltage release

Function: monitoring voltage between the neutral and phase; when an overvoltage reaches the threshold value, the OVP device causes the tripping of the associated MCB or RCCB. Suitable for MCBs of the S200 series up to 63 A, and RCCBs of the F200 series up to 100 A and RCBOs DS201, DS201 (2019), DS202C, DSE201 M, AFDD S-ARC1 series, Suitable for SD 200 switch disconnectors series. It can be used with MCBs SN201 and RCBOs DS203NC series by means of SN201-IH interface module.

Description	Bbn	Order details		Price	Weight	Pack
	8012542			1 piece	1 piece	unit
	EAN	Type code	Order code		kg	pc.
Overvoltage release (max tripping voltage AC: 275V)	748137	S2C-OVP1	2CSS200910R0005		0.100	1/5
Overvoltage release (max tripping voltage AC: 290V)	952039	S2C-OVP2	2CSS200993R0005		0.100	1/5



S2C-Nt

Hand operated neutral left side mounted

S2C-Nt		
Rated current	A	max. 40
Terminal	mm ²	10; cage terminal
Tightening torque	Nm	1.2
Dimensions (H x D x W)	mm	85 x 69 x 8.8

Hand operated neutral

The hand operated neutral has to be mounted to the left side of the MCB and be snapped on the DIN rail. It is used for measuring duties where the neutral conductor must be in the open position. Due to the special design of the handle - when switching ON the MCB - the neutral will make before the MCB is closed. Suitable for SD 200 switch disconnectors series. The S2C - Nt is not to switch with a tool (screw driver).

Description	Bbn	Order details		Price	Weight	Pack
	4016779			1 piece	1 piece	unit
	EAN	Type code	Order code		kg	pc.
Max 40A	647625	S2C-Nt	2CDS200918R0001		0.06	1

Auxiliary elements for

MCBs S 200, SN 201, RCDs F 200, DS 200, DS201-DS202C, DS203NC, DSE201 M, AFDD S-ARC1 and Switch disconnectors SD 200 series



S 2C-S6R U



S 2C-H6R U

Auxiliary contact and signal contact		
S2C-H6R U, S2C-S6RU		
Rating according UL 489 / CSA22-2 No.5		1A / 480 VAC 2A / 277 VAC 1.5 A / 125 VDC 2A / 60 VDC 4 A / 24 VDC
Conventional free air thermal current	A	10
Min. operational current/voltage*		10 mA at 12 V; 5 mA at 24 V
Rated conditional short-circuit current	V	230 V AC 1,000 A with S201 K4
Overvoltage category		III
Rated impuls withstand voltage (1.2/50µs)	kV	4
Cross section of conductors	mm ²	0.75...2.5
Tightening torque	Nm	1.2
Contact stability in vibration test according to IEC/EN60068-2-6		5g, 20 sweep cycles 5...150...5 Hz according to DIN IEC 68-2-6 at 24 V AC/DC, 5 mA automatic reclosing < 10 ms
Mechanical service life		10000 operations
Dimensions (H x D x W)	mm	100 x 69 x 8.8

* ensures safe contacting without current interruption by pollution layer.

Accessories for S 200 U/S 200 UP/S 200 UDC

Auxiliary contact (switch)						
Description	Bbn	Order details		Price	Weight	Pack
	4016779			1 piece	1 piece	unit
	EAN	Type code	Order code		kg	pc.
only for range U/UP/UDC	61561 7	S 2C-H6R U	2CDS200914R0001		0.035	1

Signal contact (bell alarm)						
Description	Bbn	Order details		Price	Weight	Pack
	4016779			1 piece	1 piece	unit
	EAN	Type code	Order code		kg	pc.
only for range U/UP/UDC	64677 2	S 2C-S6R U	2CDS200924R0001		0.035	1

Auxiliary elements for

MCBs S 200, SN 201, RCDs F 200, DS 200, DS201-DS202C, DS203NC, DSE201 M, AFDD S-ARC1 and Switch disconnectors SD 200 series



S 2C-A1 U

Shunt trip								
S2C-A1 U								
Rated voltage	AC	V	12...60					
	DC	V	12...60					
Max release duration		ms	<10					
Min. release voltage	AC	V	7					
	DC	V	10					
Power consumption	Ub	V	12	12	24	24	60	60
		DC	AC	DC	AC	DC	AC	
	Ib max	A	2.2	2.5	4.5	5	14	8.8
Coil resistance		Ω	3.7					
Terminals	Fale-safe bi-directional cylinder-lift-terminal							
Tightening torque		Nm	2.8					
Dimensions (H x D x W)		mm	100 x 69 x 17.5					
S2C-A2 U								
Rated voltage	AC	V	110...415					
	DC	V	110...250					
Max release duration		ms	<10					
Min. release voltage	AC	V	55					
	DC	V	80					
Power consumption	Ub	V	110	110	220	230	415	
		DC	AC	DC	AC	DC	AC	
	Ib max	A	0.4	0.5	1.1	1.0	2.7	
Coil resistance		Ω	225					
Terminals	Fale-safe bi-directional cylinder-lift-terminal							
Tightening torque		Nm	2.8					
Dimensions (H x D x W)		mm	100 x 69 x 17.5					
Shunt trip only for range U/UP/UDC								
Description	Bbn 4016779	Order details				Price	Weight	Pack
		EAN	Type code	Order code	1 piece	1 piece	unit	
12 - 60 V AC/DC	64472 3	S 2C-A1 U	2CDS200908R0001		0.15	1		
110-415 V AC,110-250V DC	64473 0	S 2C-A2 U	2CDS200908R0002		0.15	1		

Auxiliary elements for

MCBs, RCDs and Switch Disconnectors



S 2C-TC20 U

IP20 Terminal cover						
Description	Bbn	Order details		Price	Weight	Pack
	4016779			1 piece	1 piece	unit
	EAN	Type code	Order code	kg	pc.	
only for range U/UP/UDC	87756 5	S 2C-TC20 U	2CDS200917R0001	0.0002	20	

Mechanical tripping device

Function: it causes the automatic tripping of the circuit-breakers which it is associated to, when the panel or the door of the electrical switchboard are opened or removed.

Suitable for MCBs S 200 series (on both sides of the devices) and for DS 200 (only on the right side, because on the left side there's RCD-block DDA 200). Suitable for SD 200 switch disconnectors series.



S 2C-BP

Description	Bbn	Order details		Price	Weight	Pack
	8012542			1 piece	1 piece	unit
	EAN	Type code	Order code	kg	pc.	
Mechanical tripping device	941309	S2C-BP	2CSS200998R0001	0.048	1	

Plug-in base

Function: it is possible to transform a standard circuit-breaker of the S 200 and F 200 range in a plug-in device which can be pulled out of the circuit where it is installed in one operation. Suitable for MCBs S 200 series and for RCCBs F 200 series up to 63 A and RCBOs DS201, DS202C and AFDD S-ARC1 series.



S 2C-EST

Description	Bbn	Order details		Price	Weight	Pack
	8012542			1 piece	1 piece	unit
	EAN	Type code	Order code	kg	pc.	
Plug-in base	940708	S2C-EST	2CSS200999R0001	0.115	1	

Motor operating and autoreclosing devices for MCBs, RCDs and Switch Disconnectors



S2C-CM

Motor operating devices			S2C-CM	F2C-CM
Supply		V	12 ... 30 V a.c. +10% - 15% (50-60Hz); 12 ... 48 V d.c. +10% - 15%	
Power consumption during the operation	12 V a.c.	VA	< 15	
	24 V a.c.	VA	< 22	
	30 V a.c.	VA	< 25	
	12 ... 48 Vd.c.	VA	< 20	
Power consumption at rest		VA	< 1.5	
Make-time at ambient temperature		sec	< 1	
Opening time at ambient temperature		sec	< 0.5	
Number of operations			< 20.000	
Operating temperature		°C	- 25 ... + 55	
Cables length of control circuit		m	< 1500	
Cables cross-section		mm ²	< 2.5	
Signal contact (terminals 3 – 4 – 5) Current carrying capacity			1NA + 1NC (change-over contact) 5 A (250 V AC) (inductive-ohmic load)	
Auxiliary contact (terminals 6 – 7 – 8) Current carrying capacity			1NA + 1NC (change-over contact) 3 A (250 V AC) (inductive-ohmic load)	
Remote control*			By means of dry contacts	
Remote control terminals			Terminal 9 = make contact; Terminal 10 = opening contact Terminal 11 = common reference for control contacts, +5V d.c. (supplied by the motor operating device)	

* Note: In case of the device opening due to a fault, please wait 8 seconds before attempting to reclose the motor operator.

Motor operating and autoreclosing devices for MCBs, RCDs and Switch Disconnectors

Motor operating devices			
DS2C-CM			
Supply	V	12 ... 30 V a.c. +10% - 15% (50-60Hz); 12 ... 48 V d.c. +10% - 15%	
Insulation voltage	V	2500 for 1 minute	
Power consumption during the operation	12 V a.c.	VA	< 15
	24 V a.c.	VA	< 22
	30 V a.c.	VA	< 25
	12 ... 48 V d.c.	VA	< 20
Power consumption at rest	VA	< 1.5	
Remote control *		by means of dry contacts	
Make-time at ambient temperature	sec	< 1	
Opening time at ambient temperature	sec	< 0.5	
Time before attempting to reclose the motor operator	sec	8	
Number of operations		< 20.000	
Operating temperature	°C	- 25 ... + 55	
Storage temperature	°C	- 40 ... + 70	
Mounting		on DIN rail EN 60715 by means of fast clip device	
Protection degree (EN 60529)		terminals: IP2X	
		enclosure: IP4X	
Cables length of control circuit	m	< 1500	
Cables cross-section	mm ²	< 2.5	
Signal contact (terminals 3 – 4 – 5)		1NO + 1NC (change-over contact)	
Current carrying capacity		5 A (250 V AC) (resistive load)	
Auxiliary contact (terminals 6 – 7 – 8)		1NO + 1NC (change-over contact)	
Current carrying capacity		3 A (250 V AC) (resistive load)	
Remote control terminals		Terminal 9 = make contact; Terminal 10 = opening contact Terminal 11 = common reference for control contacts, +5 V d.c. (supplied by the motor operating device)	

* Note: In case of the device opening due to a fault, please wait 8 seconds before attempting to reclose the motor operator.

Motor operating devices

Function: S2C-CM, F2C-CM and DS2C-CM allow the remote control (opening or closing) of the coupled device. Suitable for S200 series MCBs, SD200 switch disconnectors, F200 RCCBs, RCBOs DS201, DS201 (2019), DS202C.

Description	Bbn	Order details		Price 1 piece	Weight 1 piece	Pack unit
	8012542	Type code	Order code			
	EAN			kg	pc.	
Motor operating device for 1P S200 series MCBs and SD200 switch disconnectors	026259	S2C-CM1	2CSS201997R0013		0.166	1
Motor operating device for 2P and 3P S200 series MCBs, 2P DS201 (2019) RCBOs and SD200 switch disconnectors	026358	S2C-CM2/3	2CSS203997R0013		0.166	1
Motor operating device for 4P S200P MCBs	026457	S2C-CM4	2CSS204997R0013		0.166	1
Motor operating device for 2P and 4P F200 RCCBs	026556	F2C-CM	2CSF200997R0013		0.166	1
Motor operating device for 1P+N and 2P DS201, DS202C RCBOs	135951	DS2C-CM	2CSR201997R0013		0.166	1
Motor operating device for F200 125A RCCB	020721	F2-125A-24V-CM4	2CSF200997R1214		0,36	1
Motor operating device for F200 125A RCCB	600626	F2-125A-230V-CM4	2CSF200997R1205		0,36	1

Motor operating and autoreclosing devices for MCBs, RCDs and Switch Disconnectors



F2C-ARI

		Auto-reclosing unit	
		F2C-ARI	F2C-ARI30
Supply	V	12 ... 30 V a.c. +10% - 15% (50-60Hz); 12 ... 48 V d.c. +10% - 15%	
Number of automatic reset attempts		3	
Time of reset of the auto-reset meter	sec	12	45
Power consumption during the operation	12 V a.c.	VA	< 15
	24 V a.c.	VA	< 22
	30 V a.c.	VA	< 25
	12...48 V d.c.	VA	< 20
Power consumption at rest	VA	< 1.5	
Waiting time between auto-reset attempts	sec	3	30
Closing time at ambient temperature	sec	< 1	
Opening time at ambient temperature	sec	< 0.5	
Number of operations		< 20.000	
Operating temperature	°C	- 25 ... + 55	
Cables length of control circuit	m	< 1500	
Cables cross-section	mm ²	< 2.5	
Signaling contact to signal a locked state following three auto-reset attempts (terminals 3-4-5)		1NA + 1NC (change-over contact)	
Current carrying capacity		5 A (250 V AC) (ohmic load)	
Auxiliary contact (terminals 6-7-8)		1NA + 1NC (change-over contact)	
Current carrying capacity		3 A (250 V AC) (ohmic load)	
Remote control		By means of dry contacts	
Remote control terminals		Terminal 9 = closing and remote reset contact for locked state; Terminal 10 = opening contact Terminal 11 = common reference for control contacts, +5V d.c. (supplied by the motor operating device)	

Auto-reclosing units

Function: F2C-ARI and F2C-ARI30 allow the auto-reclosing of the coupled device in case of unwanted tripping. Suitable for F 200 RCCBs up to 100 A.

Description	Bbn	Order details		Price	Weight	Pack
	8012542			1 piece	1 piece	unit
	EAN	Type code	Order code		kg	pc.
Auto-reclosing unit for 2P and 4P F200 RCCBs	026655	F2C-ARI	2CSF200996R0013		0.166	1
Auto-reclosing unit for 2P and 4P F200 RCCBs (30")	064350	F2C-ARI30	2CSF200995R0013		0.166	1

Motor operating and autoreclosing devices for

MCBs, RCDs and Switch Disconnectors



F2C-ARH



F2C-ARH-T

Home automatic resetting unit		
F2C-ARH /F2C-ARH-T		
Power supply	VAC	230
Number of automatic reclosing attempts		1
Reset time for counter of automatic reclosing attempts	sec	12
Power absorbed during the operation	VA	(t<0.5s) 20 max
Power consumption in stand-by	W	0.4 max
Number of operations		≤ 10.000
Operating temperature	°C	-25 ... + 55
Signal contact cable section	mm ²	≤ 2.5
Signal contact for the locked state (terminals 1-2)		1NA (change-over contact)
Signal contact rated current	A	3 (250V AC)

Home automatic resetting unit (for domestic and similar applications)

Function: it recloses the associated residual current device, only after having checked that there are no effective faults in the system protected by the RCCB.

Suitable for 2-pole RCCB series with 30 mA or 100 mA sensitivities, max 63 A

Description	Bbn	Order details		Price	Weight	Pack
	8012542			1 piece	1 piece	unit
	EAN	Type code	Order code		kg	pc.
Home automatic resetting unit (30 mA)	732433	F2C-ARH	2CSF200992R0005		0.200	1
Home automatic resetting unit (100 mA)	658535	F2C-ARH100	2CSF200990R0005		0.200	1

Home automatic resetting unit with autotest (for domestic and similar applications)

Function: it recloses the associated residual current device, only after having checked that there are no effective faults in the system protected by RCCB.

Suitable for 2-pole RCCB series with 30 mA or 100 mA sensitivities, max 63 A.

F2C-ARH-T allows the RCCB automatic test every six months.

Description	Bbn	Order details		Price	Weight	Pack
	8012542			1 piece	1 piece	unit
	EAN	Type code	Order code		kg	pc.
Home automatic resetting unit (30 mA) with RCCB autotest	733232	F2C-ARH-T	2CSF200991R0005		0.200	1
Home automatic resetting unit (100 mA) with RCCB autotest	593836	F2C-ARH-T100	2CSF200989R0005		0.200	1

Busbars and accessories for

MCBs S 200, RCDs F 200 and DS 200 series

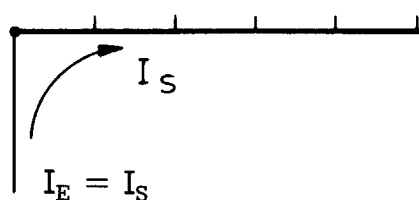
		Busbars PS			Busbars PS...CB			
Suitable for		MCB: S200, S200M, S200P RCD: F200, DDA-blocks			MCB: S200, S200M, S200P, S200MUC, S200MTUC			
Electrical Data	Standards		for IEC applications IEC/EN 60947-1			for IEC / UL applications IEC/EN 60947-1 UL1077		
	Approvals		—			UL508		
	Rated voltage Ue		1P, 2P, 3P, 4P: 690 V AC, 690 V DC			1P: 1000 V AC/DC 2P, 3P: 600 V AC/DC		
	Rated frequency	Hz	50 / 60 Hz, DC			50 / 60 Hz		
	Current carrying capacity / Phase (35°C ambient temperature)	A		10 mm ²	16 mm ²	30 mm ²	18 mm ²	25 mm ²
			End feeding ①	63 A	80 A	120 A	End feeding ①	80 A
Non-end feeding ①			100 A	130 A	160 A	Non-end feeding ①	160 A	200 A
Short-circuit withstand capacity	kA	25 kA in series with fuse NH3 355 A gG 500 V			10 kA 3 cycles @ 480 V / 100 kA Fuse Class J 175 A / 18 mm ² – 200 A / 25 mm ²			
Mechanical Data	Housing		light grey, RAL 7035					
	Environmental conditions acc. to		DIN EN 60068					
	Overtoltage category		III					
	Pollution degree		2					
Installation	Cross-Section Busbar		10 mm ² , 16 mm ² , 30 mm ²			18 mm ² , 25 mm ²		
	Mounting position		optional					
	Supply		Feed on terminal of the device (supply side optional) or use of feeder terminal range AST; SZ-ESK			Feed on terminal of the device (supply side optional) or use of feeder terminals AST 35/... CB; SZ-ESK SP		
Accessories	Shock-protection caps		BSK, SZ-BSK			BSK CB		
	Feeder terminals		range AST, SZ-ESK			AST 35/15.. CB; AST 35/38.. CB SZ-ESK SP		
	End caps		range END, PS-END, PSB-END			PS-END SP; PS-END1 SP		
		Feeder Terminals AST , SZ-ESK			Feeder Terminals AST... CB and SZ-ESK SP			
Electrical Data	Max. operating voltage	V	690 V AC, 690 V DC			AST.. CB 1000 V AC/DC; SZ-ESK SP 690 V AC/DC		
	Current carrying capacity / phase	A	see below ①			115 A ①		
	Cross-Section	mm ²	SZ-ESK	6 - 35 mm ²	100 A	SZ-ESK SP	35 mm ² / 2AWG flexible with ferrules	
				6 - 50 mm ²	125 A		50 mm ² / 1AWG solid / stranded	
Cross-Section	mm ²	AST	6 - 25 mm ²	80 A	AST.. CB	35 mm ² / 2AWG flexible with ferrules		
			6 - 50 mm ²	125 A		50 mm ² / 1AWG solid / stranded		
Instruction of installation		When cutting the busbar, ensure that the insulation profile exceeds the copper bar by approx. 10 mm on each side. Shock protection only with mounted end caps ensured. For DC applications the required increased clearance and creepage distances needs to be ensured.			When cutting the busbar, ensure that the installation profile exceeds the copper bar by approx. 10 mm on each side. Shock protection only with mounted end caps ensured.			

① In case of feed in from the middle of the busbar it needs to be ensured, that the sum of junction currents per side must not exceed the max busbar current I_s/phase. Irrespective of the current carrying capacity (I_s) of the busbar, the max. rated current of the devices terminal may not be exceeded.

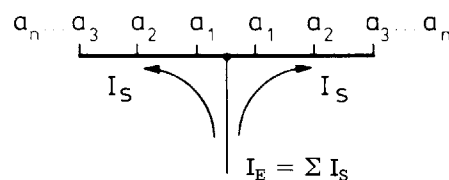
Busbars and accessories for

MCBs S 200, RCDs F 200 and DS 200 series

Busbars PS...BP	Busbars PS...BP-C	Busbars PS..DC
MCB: SU200M, S200UDC, S200U, S200UP	MCB: SU200M, S200UDC, S200U, S200UP	MCBs, Fuseholders E90
for IEC / UL applications IEC/EN 60947-1 UL489	for IEC / UL applications IEC/EN 60947-1 UL508	for IEC applications IEC/EN 60947-1
UL489	UL 489	-
1P, 2P, 3P: 480 V AC	600 V AC/DC	690 V AC / 1000 V DC
50 / 60 Hz	50 Hz (IEC) / 60 Hz (UL)	50 / 60 Hz, DC
16 mm ²		
80 A (115A for cubicle size ≥ 30"x30"x10")	End feeding ① 100 A Non-end feeding ① 200 A	End feeding ① 100 A Non-end feeding ① 160 A
10 kA in series with fuse NH3 355 A gG 500 V	10 kA 3 cycles @ 600 V / 140 kA Fuse Class J 200 A	25 kA/0,1 s, 100 kA in series with fuse NH3 355 A gG
16 mm ²	25 mm ²	30 mm ²
Feed on terminal of the device (supply side optional) or use of feeder terminals AST 35/15 BP; SZ-ESK BP	Feed on terminal of the device (supply side optional) or use of feeder terminal AST 35/58 BP-C	Feed on terminal of the device (supply side optional) or use of feeder terminal AST 35/18 DC or AST 35/45 DC
BSK BP	BSK BP-C	
AST 35/15 BP SZ-ESK BP	AST 35/58 BP-C	AST 35/18 DC (for use with 1-phase busbar) AST 35/45 DC (for use with 2-phase busbar)
-	PS-END 3 BP-C	PS-END0, PS-END3
Feeder Terminals AST 35/15 BP and SZ-ESK BP	Feeder Terminals AST 35/58 BP-C	
480 V AC	1000 V AC/DC	
115 A ①	115 A use 75° wire 95 A use 60° wire	
SZ-ESK BP 35 mm ² / 2AWG flexible with ferrules 50 mm ² / 1AWG solid / stranded	AST 35/58 BP-C 28mm ² / 2AWG	
AST 35/15 BP 25 mm ² / 3AWG flexible with ferrules 35 mm ² / 2AWG solid / stranded		
Cutting of busbar is not permitted.	Shock protection only with mounted end caps ensured. For DC applications the required increased clearance and creepage distances needs to be ensured.	The copper bus has to be cut to a length that is app. 10 mm less than the corresponding length of the plastic busbar housing. Torch-safe only when used with the required end caps. Independent from the rated voltage of the devices like busbars or feeder terminals the creepage distances and distances over the air needs to be considered. This is depending on the particular application as well as on the complete assembling.



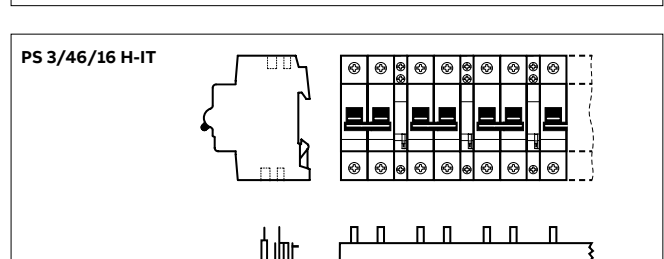
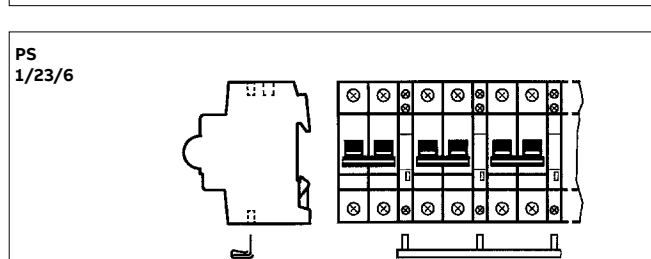
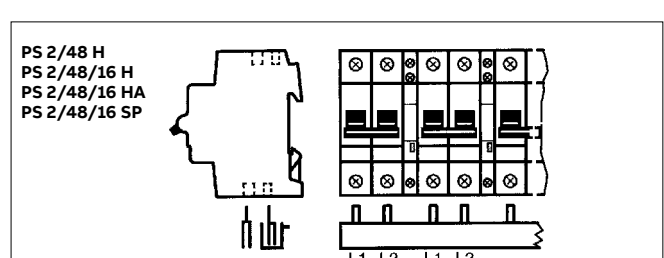
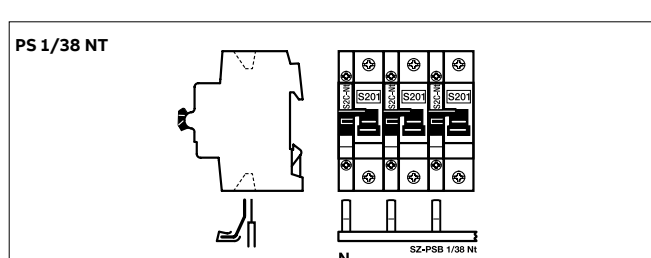
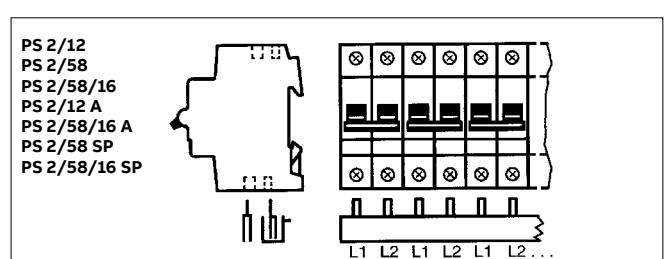
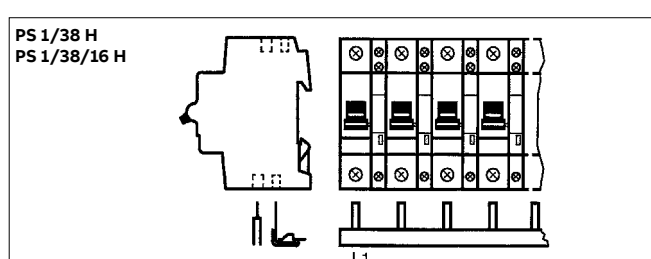
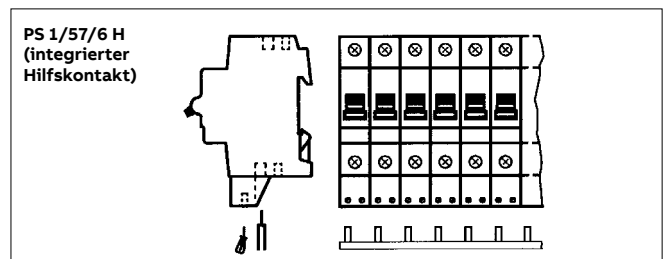
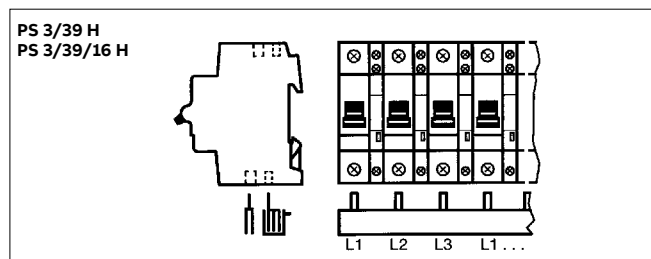
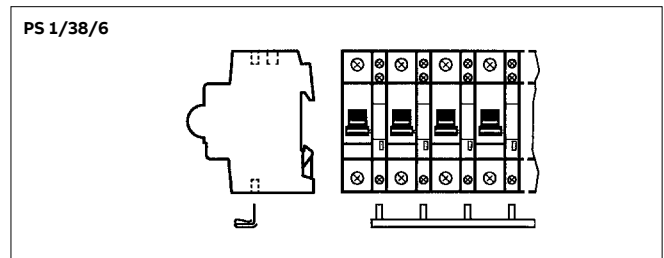
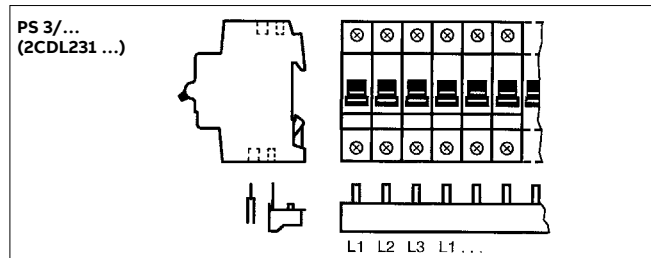
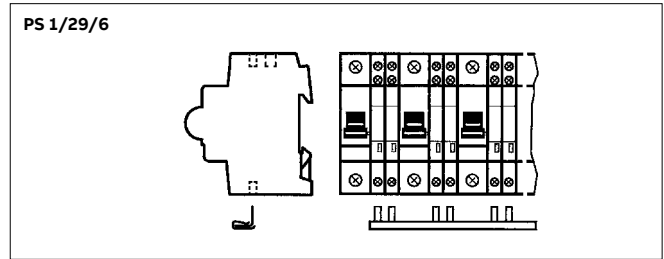
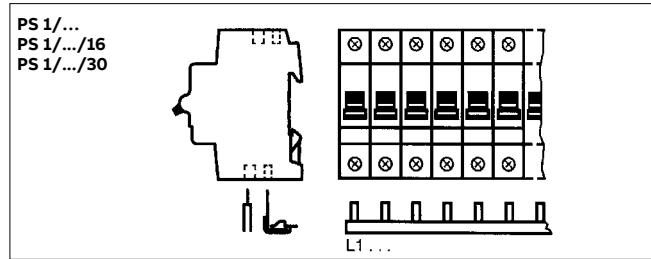
Feed in from the end of the busbar



Feed in from the middle of the busbar

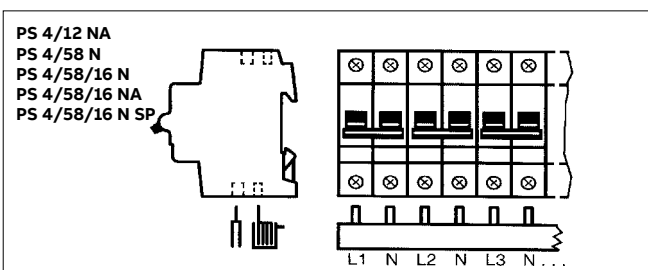
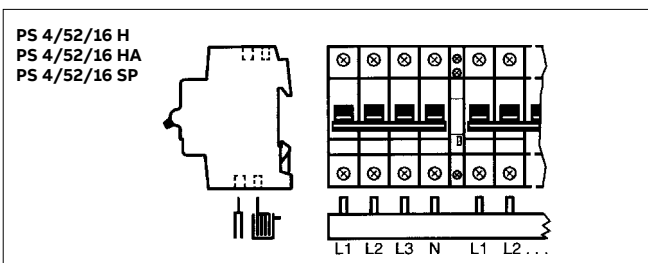
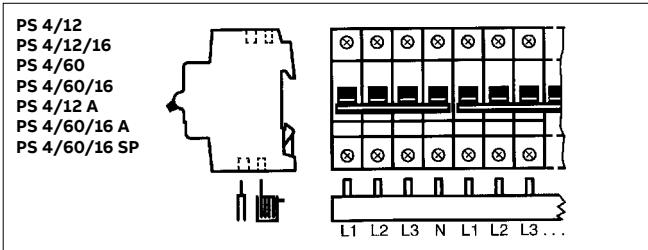
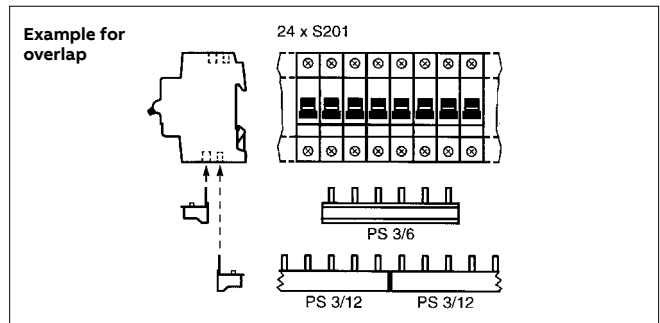
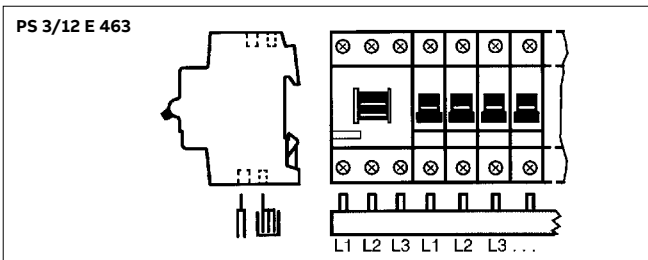
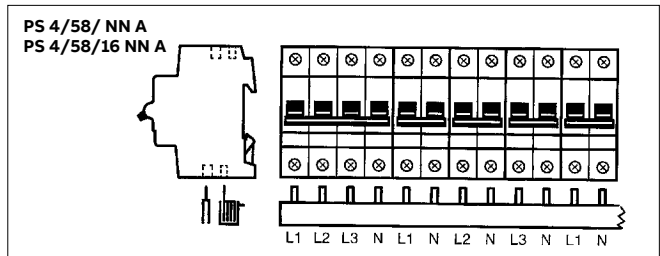
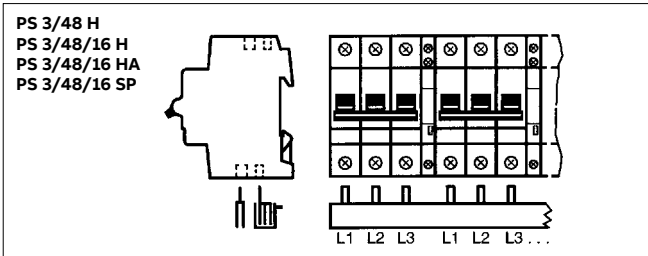
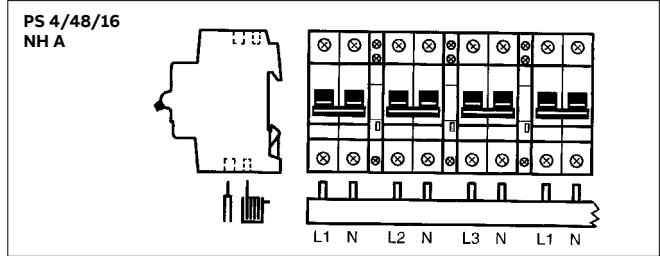
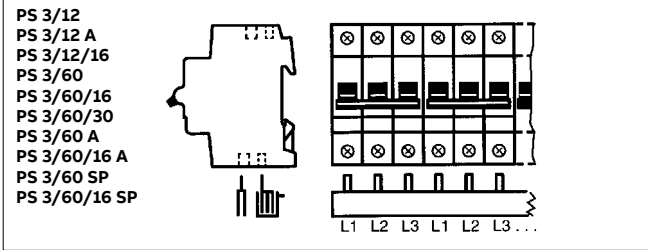
Accessories for MCBs and RCDs

Busbars



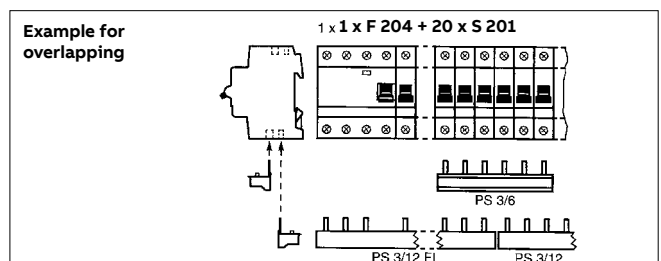
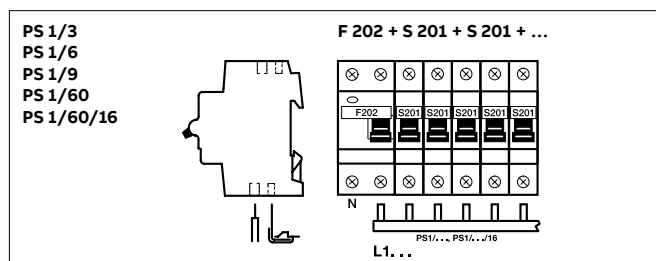
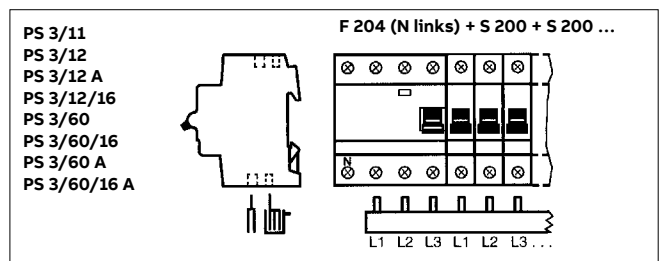
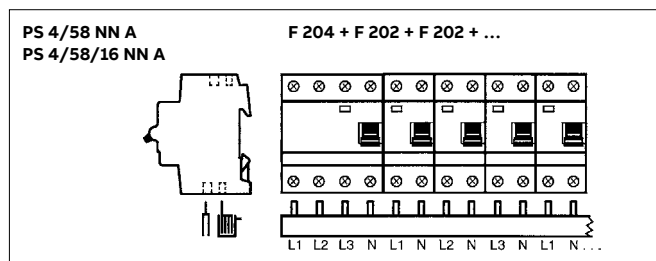
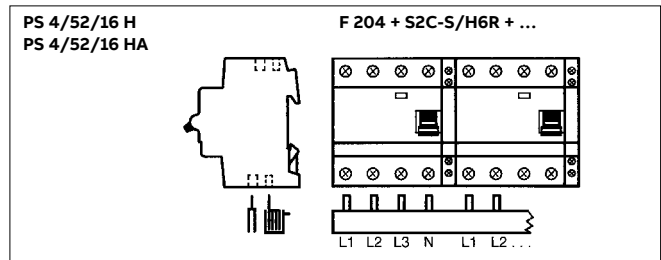
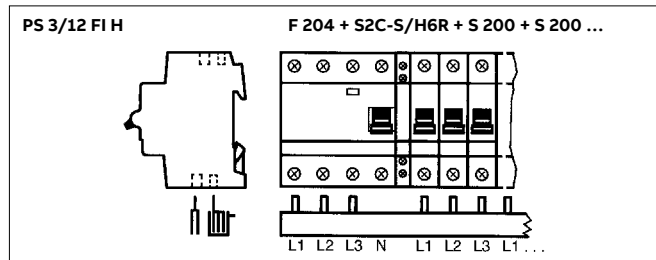
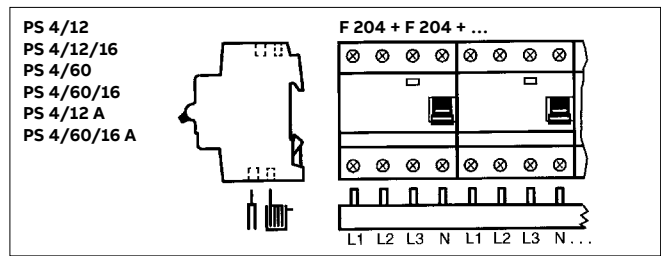
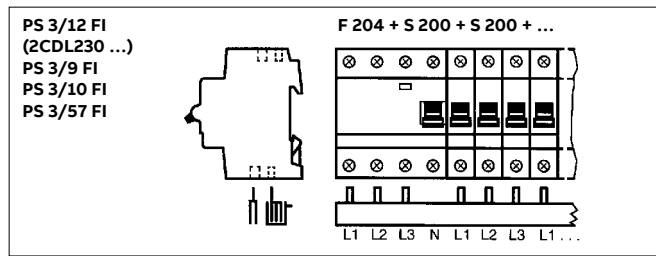
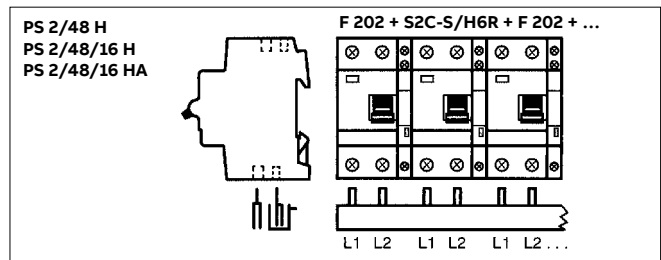
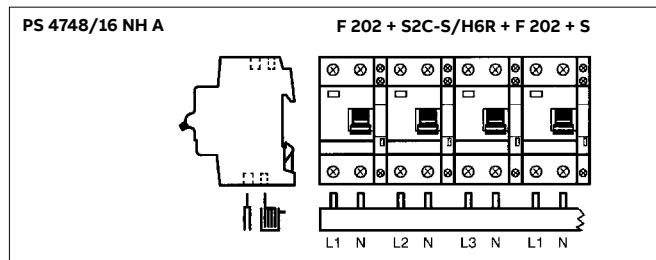
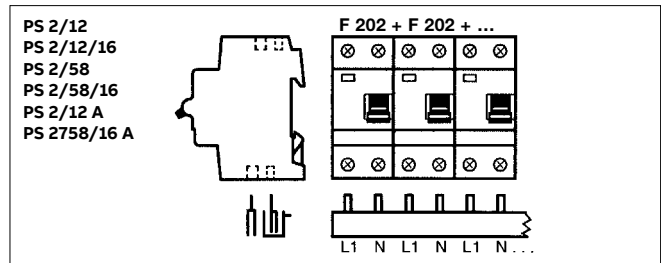
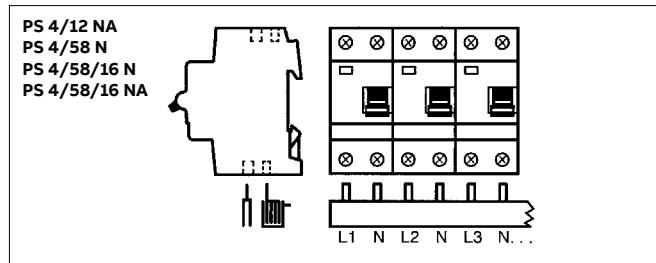
Accessories for MCBs and RCDs

Busbars



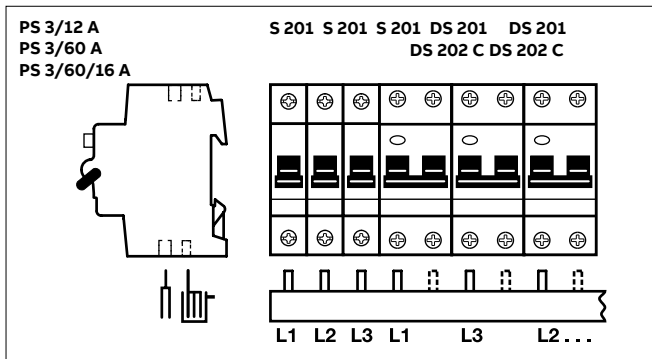
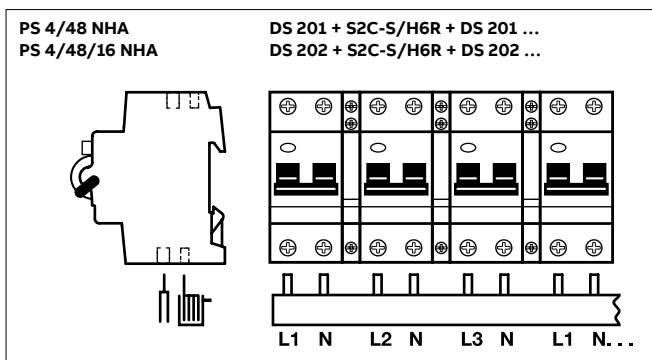
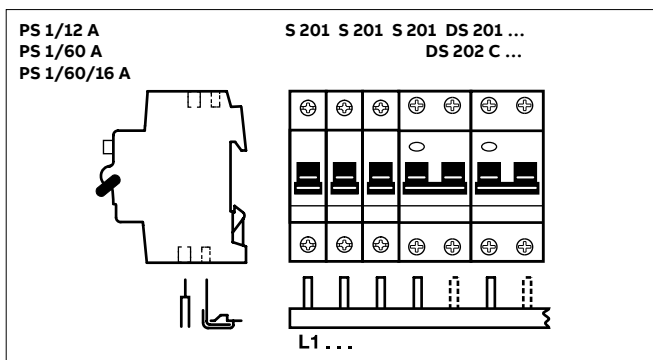
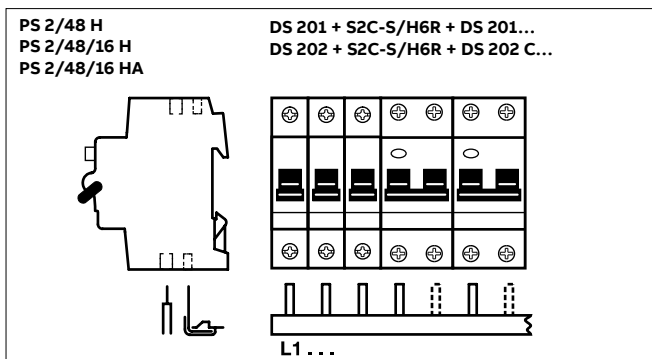
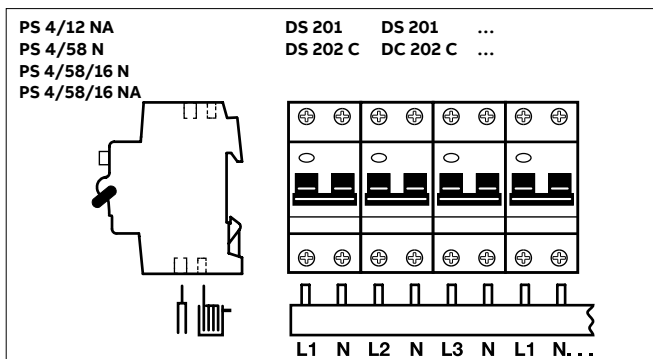
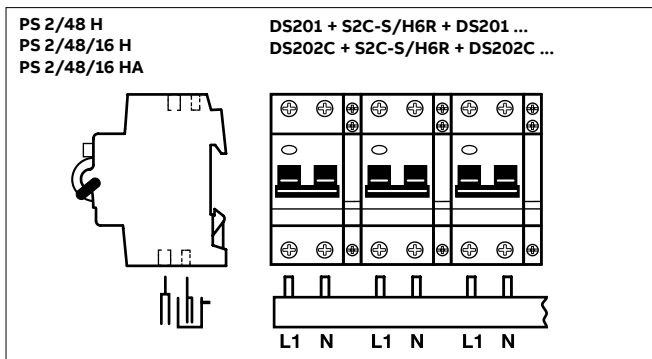
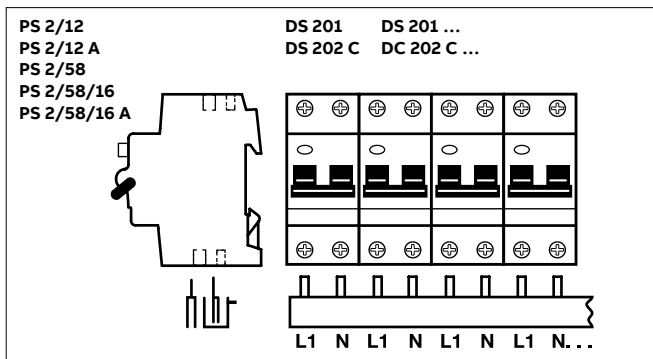
Accessories for MCBs and RCDs

Busbars



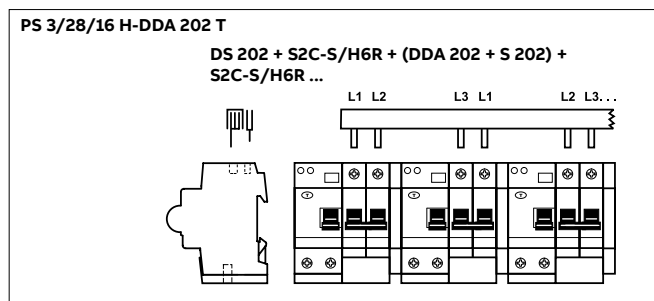
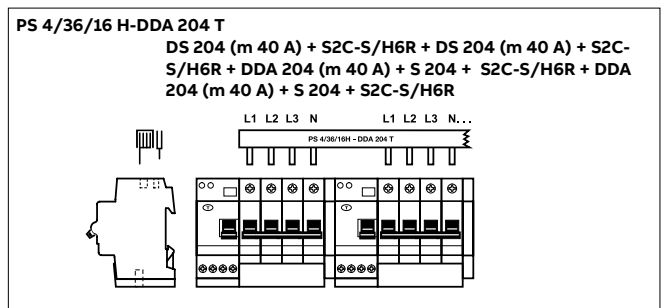
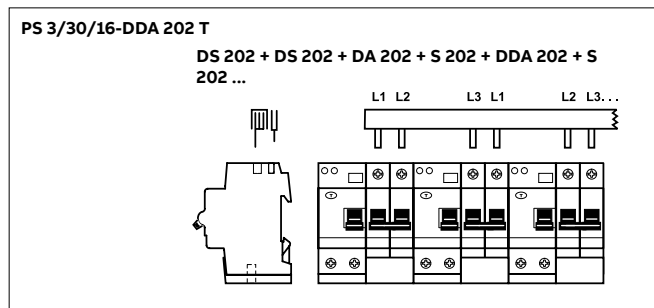
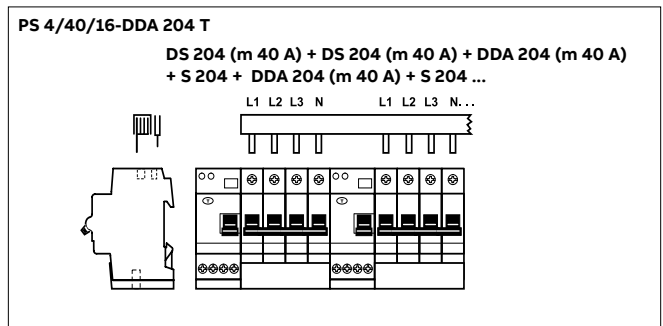
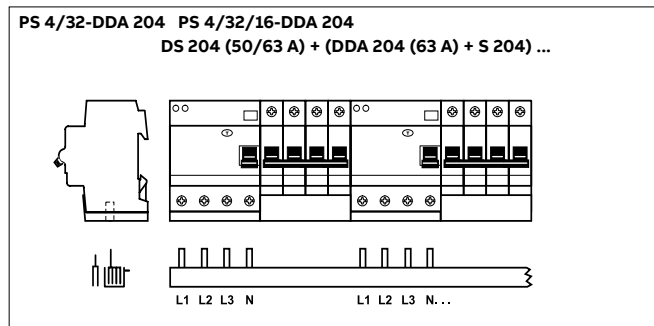
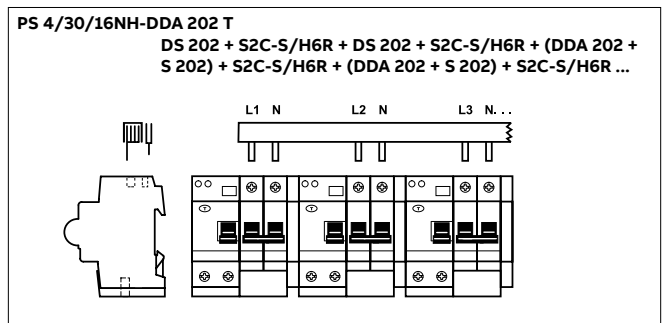
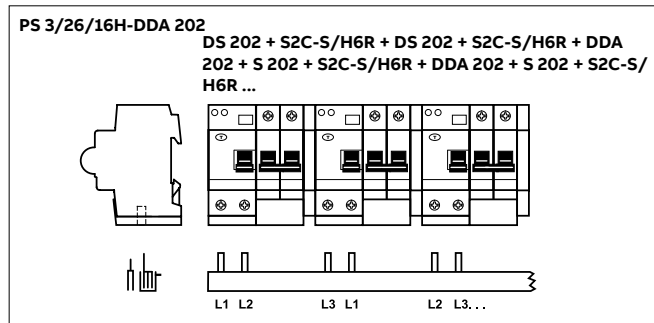
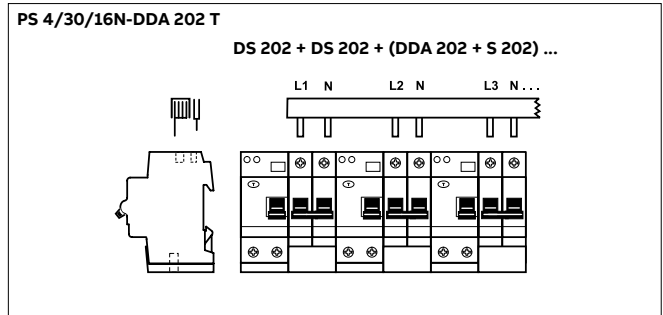
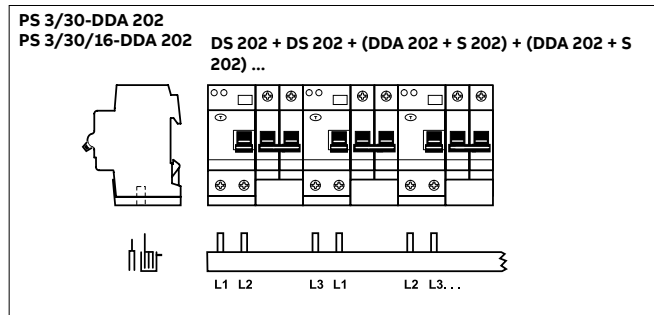
Accessories for MCBs and RCDs

Busbars



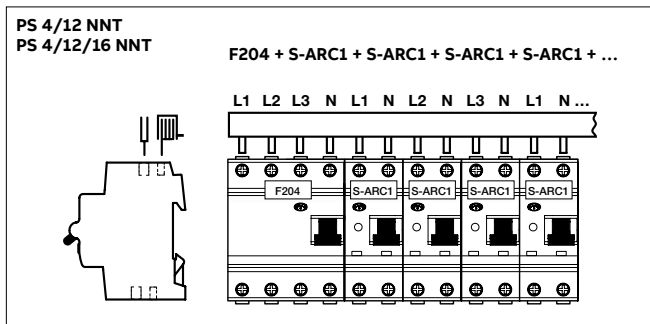
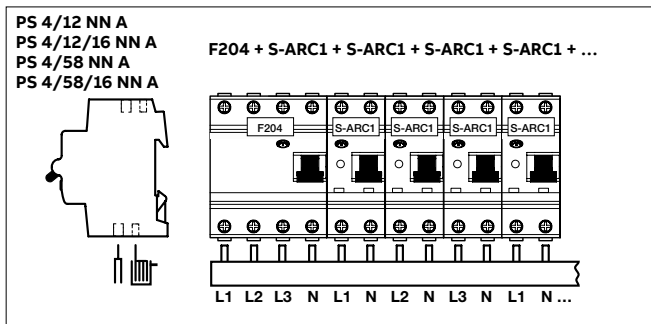
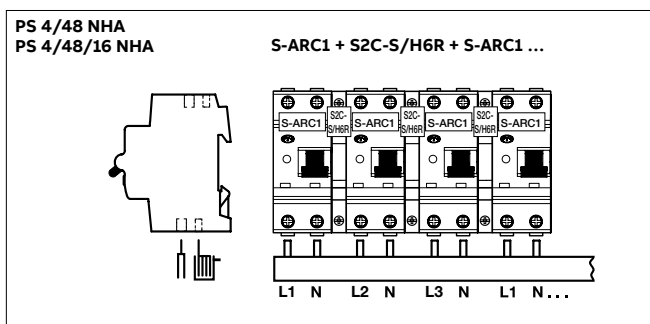
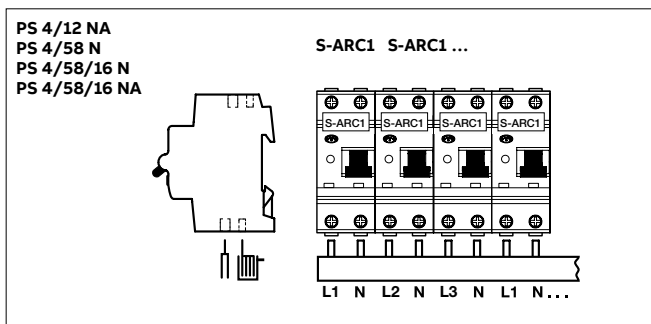
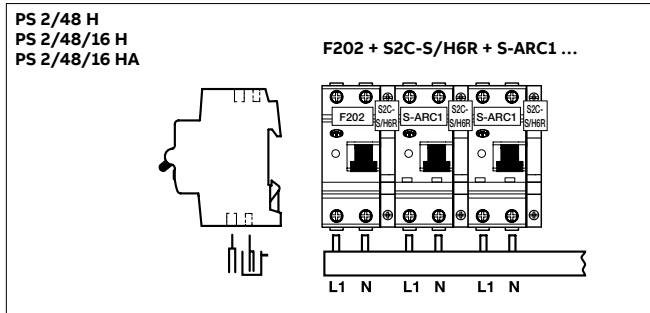
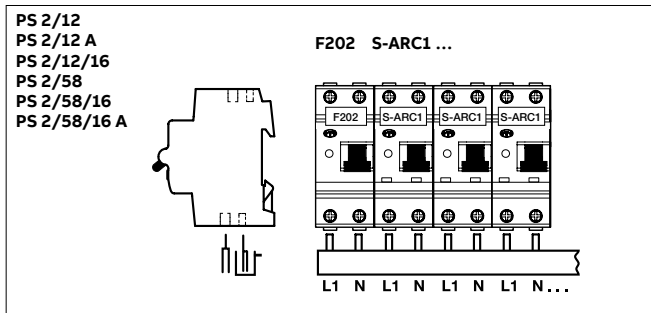
Accessories for MCBs and RCDs

Busbars



Accessories for AFDD 1P+N, S-ARC1

Busbars



Busbar systems

Selection table

Short description

ABB busbar systems enable the safe and economic cross connection of MCBs, RCCBs and RCBOs.

For a correct busbar selection the following points need to be considered:

MCB terminal type (Twin terminal or cage terminal)

Number of poles (1, 2, 3, 4, 1+N or 3+N)

Device type (MCB, RCCB or RCBO)

Combinations (e.g. RCCB + MCB or RCCB 3+N + RCCB 1+N)

Use of side mounted auxiliary elements on MCB *)

Busbar diameter (for current carrying capacity calculation)

Number of modules (choice of standard busbar or busbar for cutting)

	PS		/		/				
	1	2	3	4	5	6	7	7	
Phases									
1 phase	1								
2 phases	2								
3 phases	3								
4 phases	4								
Number of pins									
Diameter									
10 mm ²				-	-				
6 mm ²				6	-				
16 mm ²				1	6				
30 mm ²				3	0				
Application									
Cross connection of RCCB and MCB (4th pin removed for RCCB 3+N)							F	I	
Use of neutral conductor (phase sequence e.g. L1-N-L2-N-L3-N-L1...)					N				
Space for 1 side mounted auxiliary contact					H				
Space for 2 side mounted auxiliary contacts							H	2	
Pins for breaking off									A
Cross connection of devices 3P+N + 1P+N (phase sequence L1-L2-L3-N-L1-N-L2-N-L1-N-...)							N	N	
Busbars for IT networks							I	T	
Busbars acc. to UL 489 (Branch Protection)							B	P	
Busbars acc. to UL 1077 (Supplementary Protection)							S	P	
Note: Combinations of above applications are possible									

*) only right side mounted auxiliary elements and bottom fixed auxiliary contacts can be considered for busbar connection

Busbar systems

Selection table



Pre-assembled busbars (not to be cut)

1-phase busbars, pin distance 17.6 mm, end caps PS-END 0									
No. of pins	Phases	mm ²	Cu-No.	Bbn 4016779	Order details		Price 1 piece	Weight 1 piece	Pack unit
					kg	EAN			
2	1	10	0.01	463003	PS1/2	2CDL210001R1002		0.01	180
3	1	10	0.03	514651	PS1/3	2CDL210001R1003		0.03	120
4	1	10	0.03	648233	PS1/4	2CDL210001R1004		0.03	100
6	1	10	0.03	463102	PS1/6	2CDL210001R1006		0.03	60
9	1	10	0.04	463201	PS1/9	2CDL210001R1009		0.04	30
12	1	10	0.05	463300	PS1/12	2CDL210001R1012		0.05	30
12	1	10a	0.05	682985	PS1/12A ②	2CDL210010R1012		0.05	30

3-phase busbars, pin distance 17.6 mm									
No. of pins	Phases	mm ²	Cu-No.	Bbn 4016779	Order details		Price 1 piece	Weight 1 piece	Pack unit
					kg	EAN			
6	3	10	0.04	463409	PS3/6	2CDL231001R1006		0.04	60
9	3	10	0.07	463508	PS3/9	2CDL231001R1009		0.07	30
12	3	10	0.10	463607	PS3/12	2CDL231001R1012		0.10	30
12	3	10	0.10	463706	PS3/12FI *	2CDL231002R1012		0.09	50

* phase sequence: L1, L2, L3, free, L2, L3, L1, ...

Busbars suitable for cutting

1-phase busbars, pin distance 17.6 mm, end caps PS-END 0									
No. of pins	Phases	mm ²	Cu-No.	Bbn 4016779	Order details		Price 1 piece	Weight 1 piece	Pack unit
					kg	EAN			
60	1	10	0.26	514668	PS1/60	2CDL210001R1060		0.26	20
60	1	10	0.26	682992	PS1/60A ②	2CDL210010R1060		0.28	50
60	1	16	0.41	516655	PS1/60/16	2CDL210001R1660		0.41	20
60	1	16	0.41	683005	PS1/60/16A ②	2CDL210010R1660		0.39	50
5	1	30	0.04	653244	PS1/5/30 ①	2CDL210001R3005		0.04	100
10	1	30	0.09	653268	PS1/10/30 ①	2CDL210001R3010		0.09	100
11	1	30	0.09	653275	PS1/11/30 ①	2CDL210001R3011		0.10	100
14	1	30	0.120	653282	PS1/14/30 ①	2CDL210001R3014		0.120	50
15	1	30	0.130	653299	PS1/15/30 ①	2CDL210001R3015		0.130	50
18	1	30	0.150	653305	PS1/18/30 ①	2CDL210001R3018		0.150	50
19	1	30	0.160	653312	PS1/19/30 ①	2CDL210001R3019		0.160	50
60	1	30	0.520	653596	PS1/60/30	2CDL210001R3060		0.520	20

1-phase busbars, connection of 1-pole devices with auxiliary, end caps PS-END 0									
No. of pins	Phases	mm ²	Cu-No.	Bbn 4016779	Order details		Price 1 piece	Weight 1 piece	Pack unit
					kg	EAN			
38	1	10	0.27	586139	PS1/38H	2CDL210001R1038		0.27	30
38	1	16	0.45	586146	PS1/38/16H	2CDL210001R1638		0.45	30

① inclusive of end caps

② pre-cutted pins

Busbars and accessories for

MCBs S 200, RCDs F 200 and DS 200 series

1-phase busbars, connection of neutral (blue insulation), end caps END 1.1									
No. of pins	Phases	mm ²	Cu-No.	Bbn 4016779	Order details		Price 1 piece	Weight 1 piece	Pack unit
					kg	EAN			
28	1	10	0.24	629546	PS1/28N	2CDL210001R1028		0.14	50
28	1	16	0.32	629560	PS1/28/16N	2CDL210001R1628		0.20	50
57	1	10	0.24	579728	PS1/57NA ②	2CDL210011R1057		0.14	50
57	1	10	0.24	629539	PS1/57N	2CDL210001R1057		0.14	50
57	1	16	0.32	579735	PS1/57/16NA ②	2CDL210011R1657		0.20	50
57	1	16	0.32	629553	PS1/57/16N	2CDL210001R1657		0.20	50

1-phase busbars, connection of auxiliaries, end caps END 1.1 except PS 1/57/6									
No. of pins	Phases	mm ²	Cu-No.	Bbn 4016779	Order details		Price 1 piece	Weight 1 piece	Pack unit
					kg	EAN			
23	1	6	0.16	584739	PS1/23/6	2CDL210005R0623		0.09	50
29	1	6	0.14	580823	PS1/29/6	2CDL210005R0629		0.10	50
38	1	6	0.14	580816	PS1/38/6	2CDL210005R0638		0.09	50
57	1	6	0.11	585309	PS1/57/6	2CDL210005R0657		0.08	50

1-phase busbars, connection of hand operated neutral S2C-Nt (blue insulation), end caps END 1.1									
No. of pins	Phases	mm ²	Cu-No.	Bbn 4016779	Order details		Price 1 piece	Weight 1 piece	Pack unit
					kg	EAN			
38	1	10	0.410	655361	PS1/38 NT	2CDL210002R1038			10

2-phase busbars, pin distance 17.6 mm, end caps PS-END									
No. of pins	Phases	mm ²	Cu-No.	Bbn 4016779	Order details		Price 1 piece	Weight 1 piece	Pack unit
					kg	EAN			
12	2	10	0.07	556521	PS2/12 ①	2CDL220001R1012		0.08	50
12	2	10	0.07	584616	PS2/12A ①②	2CDL220010R1012		0.08	50
12	2	16	0.11	646918	PS2/12/16	2CDL220001R1612		0.09	50
58	2	10	0.32	556552	PS2/58	2CDL220001R1058		0.36	10
58	2	16	0.55	556569	PS2/58/16	2CDL220001R1658		0.49	10
58	2	16	0.55	584746	PS2/58/16A ②	2CDL220010R1658		0.49	10
58	2	30	1.81	654272	PS2/58/30 ③④	2CDL220001R3058		1.81	10

Note: PS...A is a busbar with removable pin

2-phase busbars, connection of 2-pole devices with auxiliary, end caps PS-END									
No. of pins	Phases	mm ²	Cu-No.	Bbn 4016779	Order details		Price 1 piece	Weight 1 piece	Pack unit
					kg	EAN			
48	2	10	0.47	556538	PS2/48H	2CDL220001R1048		0.35	10
48	2	16	0.68	556545	PS2/48/16H	2CDL220001R1648		0.48	10
48	2	16	0.68	584630	PS2/48/16HA ②	2CDL220012R1648		0.48	10

① inclusive of end caps

② pre-cut pins

③ use end cap PS-END 3

④ removal of installed MCB not possible

Busbars and accessories for

MCBs S 200, RCDs F 200 and DS 200 series

3-phase busbars, pin distance 17.6 mm, end caps PS-END									
No. of pins	Phases	mm ²	Cu-No.	Bbn 4016779	Order details		Price 1 piece	Weight 1 piece kg	Pack unit pc.
					Type code	Order code			
11	3	10	0.10	649926	PS3/11 ①	2CDL230001R1011	0.08	50	
12	3	10	0.09	576116	PS3/12 ①	2CDL230001R1012	0.09	50	
12	3	10	0.09	584647	PS3/12A ①②	2CDL230010R1012	0.09	50	
12	3	16	0.16	562805	PS3/12/16 ①	2CDL230001R1612	0.12	50	
60	3	10	0.51	514699	PS3/60	2CDL230001R1060	0.47	10	
60	3	10	0.51	563758	PS3/60A ②	2CDL230010R1060	0.47	10	
60	3	16	0.76	514705	PS3/60/16	2CDL230001R1660	0.65	10	
60	3	16	0.76	563765	PS3/60/16A ②	2CDL230010R1660	0.65	10	
60	3	30	2.65	654289	PS3/60/30 ③⑤	2CDL230001R3060	2.65	10	

3-phase busbars, connection of 1-pole devices with auxiliary, end caps PS-END									
No. of pins	Phases	mm ²	Cu-No.	Bbn 4016779	Order details		Price 1 piece	Weight 1 piece kg	Pack unit pc.
					Type code	Order code			
39	3	10	0.51	556590	PS3/39H	2CDL230001R1039	0.43	10	
39	3	16	0.76	556606	PS3/39/16H	2CDL230001R1639	0.60	10	

3-phase busbars, connection of 2-pole devices (Phase+N) with auxiliary, end caps PS-END									
No. of pins	Phases	mm ²	Cu-No.	Bbn 4016779	Order details		Price 1 piece	Weight 1 piece kg	Pack unit pc.
					Type code	Order code			
24	3	10	0.80	556576	PS3/24H	2CDL230001R1024	0.41	10	

3-phase busbars, connection of 2-pole devices (Phase+Phase) with auxiliary, end caps PS-END									
No. of pins	Phases	mm ²	Cu-No.	Bbn 4016779	Order details		Price 1 piece	Weight 1 piece kg	Pack unit pc.
					Type code	Order code			
46	3	16	0.98	662109	PS3/46/16H-IT	2CDL230006R1648	0.98	10	

3-phase busbars, connection of 3-pole devices with auxiliary, end caps PS-END									
No. of pins	Phases	mm ²	Cu-No.	Bbn 4016779	Order details		Price 1 piece	Weight 1 piece kg	Pack unit pc.
					Type code	Order code			
48	3	10	0.51	556613	PS3/48H	2CDL230001R1048	0.43	10	
48	3	16	0.76	556644	PS3/48/16H	2CDL230001R1648	0.60	10	
48	3	16	0.76	584654	PS3/48/16HA ②	2CDL230012R1648	0.60	10	

3-phase busbars, connection of 1+N or RCBOs, end caps PS-END									
No. of pins	Phases	mm ²	Cu-No.	Bbn 4016779	Order details		Price 1 piece	Weight 1 piece kg	Pack unit pc.
					Type code	Order code			
30	3	10	0.50	556583	PS3/30	2CDL230001R1030	0.42	10	

① inclusive of end caps

② pre-cutted pins

③ use end cap PS-END 3

④ use end cap PS-END 3.1

⑤ removal of installed MCB not possible

Busbars and accessories for

MCBs S200, RCDs F200, DS200 and AFDD

3-phase busbars, N of the RCD omitted, end caps PS-END									
No. of pins	Phases	mm ²	Cu-No.	Bbn 4016779	Order details		Price 1 piece	Weight 1 piece kg	Pack unit pc.
					Type code	Order code			
9	3	10	0.10	517515	PS3/9FI ①	2CDL230002R1009	0.06	50	
10	3	10	0.10	517522	PS3/10FI ①	2CDL230002R1010	0.07	50	
12	3	10	0.11	571074	PS3/12FI ①	2CDL230002R1012	0.09	50	
57	3	10	0.55	556651	PS3/57FI	2CDL230002R1057	0.46	10	

3-phase busbars, N of the RCD omitted, with auxiliary at RCD end caps PS-END									
No. of pins	Phases	mm ²	Cu-No.	Bbn 4016779	Order details		Price 1 piece	Weight 1 piece kg	Pack unit pc.
					Type code	Order code			
12	3	10	0.11	571081	PS3/12FIH ①	2CDL230003R1012	0.09	50	

4-phase busbars, pin distance 17.6 mm, end caps PS-END 1									
No. of pins	Phases	mm ²	Cu-No.	Bbn 4016779	Order details		Price 1 piece	Weight 1 piece kg	Pack unit pc.
					Type code	Order code			
12	4	10	0.12	656054	PS4/12 ①	2CDL240101R1012	0.11	30	
12	4	10	0.12	656061	PS4/12A ①②	2CDL240110R1012	0.11	30	
12	4	16	0.24	656078	PS4/12/16 ①	2CDL240101R1612	0.16	30	
60	4	10	0.80	656085	PS4/60	2CDL240101R1060	0.64	10	
60	4	16	1.21	656092	PS4/60/16	2CDL240101R1660	0.89	10	
60	4	16	1.21	656108	PS4/60/16A ②	2CDL240110R1660	0.89	10	
60	4	30	3.37	654296	PS4/60/30 ④⑤	2CDL240001R3060	3.37	10	

Note: PS...A is a busbar with removable pin

① inclusive of end caps

② pre-cutted pins

③ use end cap PS-END 3

④ use end cap PS-END 3.1

⑤ removal of installed MCB not possible

Busbars and accessories for

MCBs S200, RCDs F200, DS200 and AFDD

4-phase busbars, connection of 4-pole devices with auxiliary, end caps PS-END 1									
No. of pins	Phases	mm ²	Cu-No.	Bbn 4016779	Order details		Price 1 piece	Weight 1 piece kg	Pack unit pc.
					Type code	Order code			
52	4	16	1.30	656115	PS4/52/16H	2CDL240101R1652		0.78	10
52	4	16	1.30	656122	PS4/52/16HA ②	2CDL240212R1652		0.78	10

4-phase busbars, connection of 1+N or RCBOs, end caps PS-END 1									
No. of pins	Phases	mm ²	Cu-No.	Bbn 4016779	Order details		Price 1 piece	Weight 1 piece kg	Pack unit pc.
					Type code	Order code			
12	4	10	0.14	656139	PS4/12NA ①②	2CDL240213R1012		0.10	30
58	4	10	0.80	656146	PS4/58N	2CDL240101R1058		0.59	10
58	4	16	1.21	656153	PS4/58/16N	2CDL240101R1658		0.77	10
58	4	16	1.21	656221	PS4/58/16NA ②	2CDL240213R1658		0.77	10

4-phase busbars, connection of 1+N or RCBOs with auxiliary, end caps PS-END 1									
No. of pins	Phases	mm ²	Cu-No.	Bbn 4016779	Order details		Price 1 piece	Weight 1 piece kg	Pack unit pc.
					Type code	Order code			
48	4	16	1.48	656160	PS4/48/16NHA ②	2CDL240114R1648		0.76	10

4-phase busbars, connection of 4-pole RCD with 1+N , end caps PS-END 1									
No. of pins	Phases	mm ²	Cu-No.	Bbn 4016779	Order details		Price 1 piece	Weight 1 piece kg	Pack unit pc.
					Type code	Order code			
58	4	10	0.80	656177	PS4/58NNA ②	2CDL240110R1058		0.58	10
58	4	16	1.21	656184	PS4/58/16NNA ②	2CDL240110R1658		0.80	10

① inclusive of end caps

② pre-cutted pins

③ use end cap PS-END 3

④ use end cap PS-END 3.1

⑤ removal of installed MCB not possible

Busbars and accessories for

RCD-blocks DDA 200

Busbars (suitable for cutting) for DDA 200 and DS 200 – bottom mounting (RCD)

3-phase busbars, connection of DDA 202 and DS 202, end caps PSB-END 3 (phase sequence L1-L2-free-free-L3-L1.....without N)									
No. of pins	Phases	mm ²	Cu-No.	Bbn 4016779	Order details		Price 1	Weight 1 piece	Pack unit
			kg	EAN	Type code	Order code	piece	kg	pc.
30	3	10	0.97	647472	PS 3/ 30-DDA 202	2CDL230202R1030		0.41	10
30	3	16	1.46	647502	PS 3/30/ 16-DDA 202	2CDL230202R1630		0.55	10

3-phase busbars, connection of DDA 202 and DS 202 with auxiliary, end caps PSB-END 3 (phase sequence L1-L2-aux.(free)-free-free-L3-L1-aux.(free).....without N)									
No. of pins	Phases	mm ²	Cu-No.	Bbn 4016779	Order details		Price 1	Weight 1 piece	Pack unit
			kg	EAN	Type code	Order code	piece	kg	pc.
26	3	16		648912	PS 3/26/ 16H-DDA 202	2CDL230202R1626			

4-phase busbars, connection of DDA 204 63 A and DS 204 50 A and 63 A, end caps PSB-END 4 (phase sequence L1-L2-L3-N-free-free-free-free-L1.....)									
No. of pins	Phases	mm ²	Cu-No.	Bbn 4016779	Order details		Price 1	Weight 1 piece	Pack unit
			kg	EAN	Type code	Order code	piece	kg	pc.
32	4	10	1.41	647458	PS 4/ 32-DDA 204	2CDL240204R1032		0.56	10
32	4	16	2.12	647465	PS 4/32/ 16-DDA 204	2CDL240204R1632		0.77	10

Busbars (suitable for cutting) for DDA 200 and DS 200 – top side mounting (MCB)

2-phase busbars, connection of DDA 202 and DS 202, end caps PSB-END 3 (phase sequence L1-L2/N-free-free-.....)									
No. of pins	Phases	mm ²	Cu-No.	Bbn 4016779	Order details		Price 1	Weight 1 piece	Pack unit
			kg	EAN	Type code	Order code	piece	kg	pc.
30	2	16	0.512	697675	PS 2/30/ 16N-DDA 202T	2CDL020202R1630			10

3-phase busbars, connection of DDA 202 and DS 202, end caps PSB-END 3 (phase sequence L1-L2-free-free-L3-L1.....without N)									
No. of pins	Phases	mm ²	Cu-No.	Bbn 4016779	Order details		Price 1	Weight 1 piece	Pack unit
			kg	EAN	Type code	Order code	piece	kg	pc.
30	3	16	1.25	652629	PS 3/30/ 16-DDA 202T	2CDL033202R1630			10

3-phase busbars, connection of DDA 202 and DS 202 with auxiliary, end caps PSB-END 3 (phase sequence L1-L2-aux.(free)-free-free-L3-L1-aux.(free).....without N)									
No. of pins	Phases	mm ²	Cu-No.	Bbn 4016779	Order details		Price 1	Weight 1 piece	Pack unit
			kg	EAN	Type code	Order code	piece	kg	pc.
28	3	16	1.31	652636	PS 3/28/ 16H-DDA 202T	2CDL034202R1628			10

Busbars and accessories for

RCD-blocks DDA 200

4-phase busbars, connection of DDA 202 and DS 202, end caps PSB-END 4 (phase sequence L1-N-free-free-L2-N...)									
No. of pins	Phases	mm ²	Cu-No.	Bbn 4016779	Order details		Price 1	Weight 1 piece	Pack unit
			kg	EAN	Type code	Order code	piece	kg	pc.
30	4	16	1.67	652852	PS 4/30/ 16N-DDA 202T	2CDL040202R1630			10

4-phase busbars, connection of DDA 202 and DS 202 with auxiliary, end caps PSB-END 4 (phase sequence L1-N-aux.(free)-free-free-L2-N-aux.(free)...)									
No. of pins	Phases	mm ²	Cu-No.	Bbn 4016779	Order details		Price 1	Weight 1 piece	Pack unit
			kg	EAN	Type code	Order code	piece	kg	pc.
30	4	16	1.72	652599	PS 4/30/ 16NH-DDA 202T	2CDL041202R1630			10

4-phase busbars, connection of DDA 204 25 A and 40 A and DS 204 up to 40 A, end caps PSB-END 4 (phase sequence L1-L2-L3-N-free-free-L1.....)									
No. of pins	Phases	mm ²	Cu-No.	Bbn 4016779	Order details		Price 1	Weight 1 piece	Pack unit
			kg	EAN	Type code	Order code	piece	kg	pc.
40	4	16	1.79	652605	PS 4/40/ 16-DDA 204T	2CDL040204R1640			10

4-phase busbars, connection of DDA 204 25 A and 40 A and DS 204 up to 40 A with auxiliary, end caps PSB-END 4 (phase sequence L1-L2-L3-N-aux.(free)-free-free-free-free-L1)									
No. of pins	Phases	mm ²	Cu-No.	Bbn 4016779	Order details		Price 1	Weight 1 piece	Pack unit
			kg	EAN	Type code	Order code	piece	kg	pc.
36	4	16	1.73	652612	PS 4/36/ 16H-DDA 204T	2CDL041204R1636			10

Busbars and accessories for

AFDD S-ARC1 and DS-ARC1

Busbars for S-ARC1 installation

No. of pins	Phases	mm ²	Cu-No kg	Bbn 40 16779 EAN	Ordering details Type code	Ordering details Order code	Weight 1 pcs kg	Pkg qty pce
2-phase busbars, connection of 2-pole devices, end caps PS-END								
12	2	10	0.070	556521	PS2/12 1)	2CDL220001R1012	0.075	50
2-phase busbars, connection of 2-pole devices with auxiliary, end caps PS-END								
48	2	10	0.470	556538	PS2/48H	2CDL220001R1048	0.354	10,000
48	2	16	0.680	556545	PS2/48/16H	2CDL220001R1648	0.580	10,000
4-phase busbars, connection of 4-pole F204 with 1+N S-ARC1, end caps PS-END 1, Bottom side installation								
12	4	10	0.105	060301	PS4/12NN 1)	2CDL240102R1012	0.110	30
12	4	16	0.149	060332	PS4/12/16NN 1)	2CDL240102R1612	0.145	30
58	4	10	0.803	656177	PS4/58NNA	2CDL240110R1058	0.568	10
58	4	16	1.205	656184	PS4/58/16NNA	2CDL240110R1658	0.774	10
4-phase busbars, connection of 4-pole F204 with 1+N S-ARC1, end caps PS-END 1, Top side installation								
12	4	10	0.105	060356	PS4/12NNT 1)	2CDL240103R1012	0.110	30
12	4	16	0.149	060370	PS4/12/16NNT 1)	2CDL240103R1612	0.145	30

Busbars for DS-ARC1 installation

No. of pins	Phases	mm ²	Cu-No kg	Bbn 40 16779 EAN	Ordering details Type code	Ordering details Order code	Weight 1 pcs kg	Pkg qty pce
2-phase busbar, end caps PS-END; both top and bottom side mounting								
8	2	16	0.105	063104	PS 2/8/16 AFDD	2CDL220102R1608	0.095	50
40	2	16	0.495	063111	PS 2/40/16 AFDD	2CDL220102R1640	0.51	10
4-phase busbar, end caps PS-END 1; first one: top side mounting; second one: bottom side mounting								
36	4	16	0.985	063128	PS 4/36/16 AFDD T	2CDL240103R1636	0.67	10
36	4	16	0.985	063135	PS 4/36/16 AFDD	2CDL240102R1636	0.67	10
4-phase busbar, connection with auxiliary, end caps PS-END 1; first one: top side mounting; second one: bottom side mounting								
30	4	16	0.915	063142	PS 4/30/16 H AFDD T	2CDL240103R1630	0.62	10
30	4	16	0.915	063159	PS 4/30/16 H AFDD	2CDL240102R1630	0.62	10

End caps PS-END and PS-END 1 for S-ARC1 and DS-ARC1 busbars

Type code	Order code	Bbn 40 16779 EAN	Weight 1 pcs kg	Pkg qty pce
PS-END	2CDL200001R0001	514729	0.001	50
PS-END 1	2CDL200001R0002	570114	0.001	50

Busbars and accessories

Accessories for busbars PS...

Accessories for busbars PS ...

End caps

No. of pins	Phases	mm ²	Cu-No.	Bbn	Order details		Price 1	Weight 1 piece	Pack unit
				4016779	Type code	Order code			
				kg	EAN				
					638913	END 1.1	2CDL200011R0011	0.001	50
					652261	PS-END 0	2CDL200001R0004	0.001	50
					514729	PS-END	2CDL200001R0001	0.001	50
					570114	PS-END 1	2CDL200001R0002	0.001	50
					646505	PS-END SP	2CDL200110R0001	0.001	50
					646512	PS-END 1 SP	2CDL200110R0002	0.001	50
					654302	PS-END 3	2CDL200001R3001	0.001	50
					654319	PS-END 3.1	2CDL200001R3002	0.001	50
					556304 ①	PSB-END 3	GHV0361325R0001	0.001	50
					556403 ①	PSB-END 4	GHV0361325R0002	0.001	50
					950060	PS-END 3 BP-C	2CDL200489R0003	0.001	50

① bbn-No. 4012233



SZ-BSK

Shock-protection caps for bussbars PS...

No. of pins	Phases	mm ²	Cu-No.	Bbn	Order details		Price 1	Weight 1 piece	Pack unit
				4016779	Type code	Order code			
				kg	EAN				
	5 parts				420006	SZ-BSK	2CDL200001R0011	0.003	10
	5 parts				649834	BSK*	2CDL200001R0012	0.003	10

* closed version



BSK

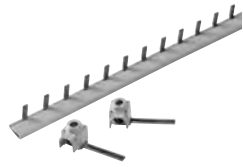
Shock-protection caps for busbars

PS...BP - see on related busbar pages

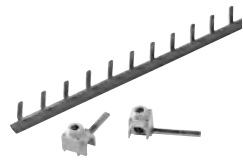
PS...SP - see on related busbar pages

Busbars and accessories for

MCBs SN 201 and F200/S200 + SN 201



BS9+FEED-IN



BS9 NA+FEED-IN

Busbars for SN 201 range (Maximum rated current 63 A)

No. pins	Phases	Cross section mm ²	Bbn 8012542 EAN	Order details		Price 1 piece	Weight 1 piece kg	Pack unit pc.
				Type code	Order code			
12	1	10	047650	BS9 1/12	2CSL910001R1012	0.050	10	
12	1	10	047759	BS9 1/12 NA	2CSL910011R1012	0.050	10	
56	1	10	047353	BS9 1/56	2CSL910001R1056	0.140	10	
56	1	10	047452	BS9 1/56 NA	2CSL910011R1056	0.140	10	
12	3	10	047551	BS9 3/12	2CSL930001R1012	0.090	5	
57	3	10	047858	BS9 3/57	2CSL930001R1057	0.470	5	

Busbars for F200/S200 and SN 201 range (Maximum rated current 63 A)

No. pins	Phases	Cross section mm ²	Bbn 8012542 EAN	Order details		Price 1 piece	Weight 1 piece kg	Pack unit pc.
				Type code	Order code			
2 + 10 x 1+N	2	10	046950	BF2-S9 UP 1N/12	2CSL920009R1012	0.110	5	
4 + 8 x 1+N	4	10	047056	BF2-S9 UP 3N/12	2CSL940009R1012	0.110	5	
2 + 10 x 1+N	2	10	047155	BF2-S9 DOWN 1N/12	2CSL920002R1012	0.110	5	
4 + 8 x 1+N	4	10	047254	BF2-S9 DOWN 3N/12	2CSL940002R1012	0.110	5	

Terminals, insulated

Conn. capacity mm ²	Type of connec- tion	Terminal lug L mm	Bbn 8012542 EAN	Order details		Price 1 piece	Weight 1 piece kg	Pack unit pc.
				Type code	Order code			
25	pin	15	047957	FEED-IN 25/15 1P	2CSL980001R2515	0.010	5	
25	pin	30	048053	FEED-IN 25/30 3P	2CSL980001R2530	0.010	5	

End caps

Bbn 4012233 EAN	Order details		Price 1 piece	Weight 1 piece kg	Pack unit pc.
	Type code	Order code			
064251	BS9-END 3P ①	2CSL980001R0001	0.001	20	

① In combination with BS9 3/57

Busbars and accessories for

MCBs acc. UL 489: SU200 M, S200 UDC, S200 U and S200 UP



PS2/6/16 BP



BSK BP



AST35/15BP



SZ-ESK BP

Pre-assembled busbars (not to be cut) acc. to UL 489, suitable for SU200 M, S200 UDC, S200 U and S200 UP

1-phase busbars, pin distance 17.6 mm, UL 489									
No. of pins	Phases	mm ²	Cu-No.	Bbn 4016779	Order details		Price 1 piece	Weight 1 piece kg	Pack unit pc.
					Type code	Order code			
6	1	16	0.04	644969	PS 1/6/16 BP	2CDL210489R1606		0.05	1
12	1	16	0.07	644976	PS 1/12/16 BP	2CDL210489R1612		0.11	1
18	1	16	0.11	644983	PS 1/18/16 BP	2CDL210489R1618		0.16	1

2-phase busbars, pin distance 17.6 mm, UL489									
No. of pins	Phases	mm ²	Cu-No.	Bbn 4016779	Order details		Price 1 piece	Weight 1 piece kg	Pack unit pc.
					Type code	Order code			
6	2	16	0.07	644990	PS 2/6/16 BP	2CDL220489R1606		0.06	1
12	2	16	0.14	645003	PS 2/12/16 BP	2CDL220489R1612		0.13	1
18	2	16	0.21	645010	PS 2/18/16 BP	2CDL220489R1618		0.20	1

3-phase busbars, pin distance 17.6 mm, UL 489									
No. of pins	Phases	mm ²	Cu-No.	Bbn 4016779	Order details		Price 1 piece	Weight 1 piece kg	Pack unit pc.
					Type code	Order code			
6	3	16	0.11	645027	PS 3/6/16 BP	2CDL230489R1606		0.07	1
12	3	16	0.22	645034	PS 3/12/16 BP	2CDL230489R1612		0.15	1
18	3	16	0.33	645041	PS 3/18/16 BP	2CDL230489R1618		0.24	1

Accessories for busbars PS...BP

Shock-protection caps for PS...BP (UL 489)

No. of pins	Phases	mm ²	Cu-No.	Bbn 4016779	Order details		Price 1 piece	Weight 1 piece kg	Pack unit pc.
					Type code	Order code			
3 parts				656368	BSK BP	2CDL200489R0001		0.001	10

Feeder Terminals for PS...BP (UL 489)

Conn. capacity	Cu-No.	Bbn 4016779	Order details		Price 1 piece	Weight 1 piece kg	Pack unit pc.
mm ²	kg	EAN	Type code	Order code			
35	0.035	710350	AST 35/15 BP	2CDL201489R3515		0.035	25

Single-pole terminal, can be mounted side by side, feed on the pin of the busba

50	710367	SZ-ESK BP	2CDL201489R5001		0.038	50
----	--------	-----------	-----------------	--	-------	----

Technical features

Feeder terminals SZ-ESK BP, AST 35/15 BP	
Max. operating voltage	480 V AC
Max. current	80 A (115 A for cubicle size $\geq 30'' \times 30'' \times 10''$) ①
Protection degree	IP 20
Wire range	SZ-ESK PB: 35 mm ² / 2AWG flexible with ferrule
	50 mm ² / 1AWG solid/stranded
AST 35/15 BP:	25 mm ² / 3AWG flexible with ferrule
	35 mm ² / 2AWG solid/stranded

① regardless of the rated current of the feeder terminal the maximum current rating of the device terminal may not be exceeded

- ① inclusive of end caps
- ② pre-cutted pins
- ③ use end cap PS-END 3
- ④ use end cap PS-END 3.1
- ⑤ removal of installed MCB not possible

Busbars and accessories for

MCBs acc. UL 489: S200 M, S200 UDC, S200 U and S200 UP

Busbars PS....BP-C (suitable for cutting) for MCBs acc. to UL489: S200 M, S200 UDC, S200 U and S200 UP

1-phase busbars, pin distance 17.6 mm, end caps PS-END 3 BP-C									
No. of pins	Phases	mm ²	Cu-No.	Bbn 4016779	Order details		Price 1 piece	Weight 1 piece	Pack unit
			kg	EAN	Type code	Order code		kg	pc.
57	1	25	0.47	949910	PS1/57/25BP-C	2CDL210489R5725		0.775	10
1-phase busbars, connection of 1-pole devices with auxiliary, end caps PS-END 3 BP-C									
No. of pins	Phases	mm ²	Cu-No.	Bbn 4016779	Order details		Price 1 piece	Weight 1 piece	Pack unit
			kg	EAN	Type code	Order code		kg	pc.
37	1	25	0.5	949934	PS1/37/25HBP-C	2CDL210489R3725		0.661	10
2-phase busbars, pin distance 17.6 mm, end caps PS-END 3 BP-C									
No. of pins	Phases	mm ²	Cu-No.	Bbn 4016779	Order details		Price 1 piece	Weight 1 piece	Pack unit
			kg	EAN	Type code	Order code		kg	pc.
56	2	25	0.888	949941	PS2/56/25BP-C	2CDL220489R5625		0.969	10
2-phase busbars, connection of 2-pole devices with auxiliary, end caps PS-END 3 BP-C									
No. of pins	Phases	mm ²	Cu-No.	Bbn 4016779	Order details		Price 1 piece	Weight 1 piece	Pack unit
			kg	EAN	Type code	Order code		kg	pc.
46	2	25	0.87	949958	PS2/46/25HBP-C	2CDL220489R4625		0.943	10
3-phase busbars, pin distance 17.6 mm, end caps PS-END 3 BP-C									
No. of pins	Phases	mm ²	Cu-No.	Bbn 4016779	Order details		Price 1 piece	Weight 1 piece	Pack unit
			kg	EAN	Type code	Order code		kg	pc.
57	3	25	1,31	949965	PS3/57/25BP-C	2CDL230489R5725		1.198	10
3-phase busbars, connection of 3-pole devices with auxiliary, end caps PS-END 3 BP-C									
No. of pins	Phases	mm ²	Cu-No.	Bbn 4016779	Order details		Price 1 piece	Weight 1 piece	Pack unit
			kg	EAN	Type code	Order code		kg	pc.
48	3	25	1,28	949972	PS3/48/25HBP-C	2CDL230489R4825		1.129	10
39	3	25	1,305	949989	PS3/39/25HBP-C	2CDL230489R3925		1.115	10
Accessories for busbars PS....BP-C									
Shock-protection caps for PS....BP-C									
No. of pins	Phases	mm ²	Cu-No.	Bbn 4016779	Order details		Price 1 piece	Weight 1 piece	Pack unit
			kg	EAN	Type code	Order code		kg	pc.
	3 parts			950077	BS BP-C	2CDL200489R0002		0.005	10
Terminal insulated with pin contact									
Conn. capacity	mm ²	Cu-No.	Bbn 4016779	Order details		Price 1 piece	Weight 1 piece	Pack unit	
		kg	EAN	Type code	Order code		kg	pc.	
25		0.038	950060	AST 35/58 BP-C	2CDL201489R3558		0.045	10	

Busbars and accessories for

MCBs acc. UL 1077: S200, S200 M, S200 P, S200 MUC, S200 MTUC, ST200 M and Fuse Disconnectors E90



Busbars suitable for cutting

			Bbn 40 16779	Order details		Weight 1 piece	Pack unit
No. of pins	Phases	mm ²	EAN	Type code	Order code	kg	pc.
1-phase busbars, pin distance 17.6mm, end caps PS-END 1 CB							
57	1	18	906760	PS 1/57/18 CB	2CDL210508R5718	0.289	10
57	1	25	906913	PS 1/57/25 CB	2CDL210508R5725	0.360	10
1-phase busbars, connection of 1-pole devices with auxiliary, end caps PS-END 1 CB							
37	1	18	906784	PS 1/37/18 H CB	2CDL210508R3718	0.254	10
37	1	25	906937	PS 1/37/25 H CB	2CDL210508R3725	0.310	10
2-phase busbars, pin distance 17.6mm, end caps PS-END 3 CB							
56	2	18	906807	PS 2/56/18 CB	2CDL220508R5618	0.639	10
56	2	25	906951	PS 2/56/25 CB	2CDL220508R5625	0.795	10
2-phase busbars, connection of 2-pole devices with auxiliary, end caps PS-END 3 CB							
46	2	18	906821	PS 2/46/18 H CB	2CDL220508R4618	0.672	10
46	2	25	906975	PS 2/46/25 H CB	2CDL220508R4625	0.782	10
3-phase busbars, pin distance 17.6mm, end caps PS-END 3							
57	3	18	906852	PS 3/57/18 CB	2CDL230508R5718	0.929	10
57	3	25	906999	PS 3/57/25 CB	2CDL230508R5725	1.026	10
3-phase busbars, connection of 3-pole devices with auxiliary, end caps PS-END 3 CB							
48	3	18	906876	PS 3/48/18 H CB	2CDL230508R4818	0.788	10
48	3	25	907019	PS 3/48/25 H CB	2CDL230508R4825	0.974	10
3-phase busbars, connection of 1-pole devices with auxiliary, end caps PS-END 3 CB							
39	3	18	906890	PS 3/39/18 H CB	2CDL230508R3918	0.794	10
39	3	25	907033	PS 3/39/25 H CB	2CDL230508R3925	0.974	10

Accessories

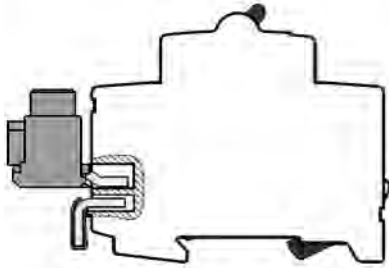
			Bbn 40 16779	Order details		Weight 1 piece	Pack unit
			EAN	Type code	Order code	kg	pc.
Electric shock-protection cap							
			907095	BSK CB	2CDL200508R0011	0.008	10
Feeder terminals with pin contact							
for use with MCB and 1-phase busbar			907156	AST 35/15-2 CB	2CDL202508R3515	0.025	25
for use with MCB and 2-/3-phase busbar			067904	AST 35/38-2 CB	2CDL202508R3538	0.032	10
for use with E90 and 2-/3-phase busbar			907132	AST 35/38-1 CB	2CDL201508R3538	0.032	10
for use with E90 and 1-phase busbar			907118	AST 35/15-1 CB	2CDL201508R3515	0.025	25
Single-pole terminal, can be mounted side by side, feed to the busbar pin							
			710381	SZ ESK SP	2CDL200111R5001	0.032	50
End caps							
for use with PS 1...CB			907057	PS-END 1 CB	2CDL200508R0001	0.001	50
for use with PS 2...CB and PS3...CB			907071	PS-END 3 CB	2CDL200508R0003	0.002	50

Busbars and accessories for

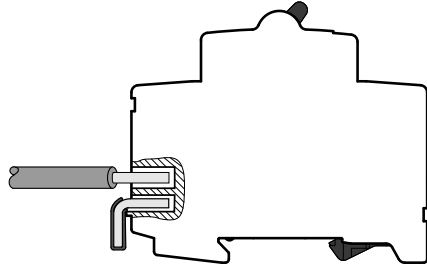
MCBs acc. UL 1077: S200, S200 M, S200 P, S200 MUC, S200 MTUC, ST200 M and Fuse Disconnectors E90

Installation of busbars and use of feeder terminals/cables for feed

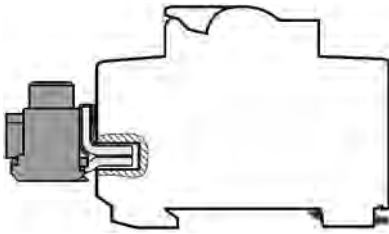
MCB with 1-phase busbar
Feeder terminal AST 35/15-2 CB



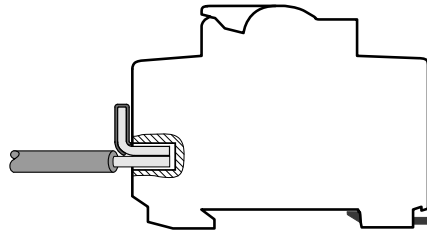
MCB with 1-phase busbar
Feed using cable



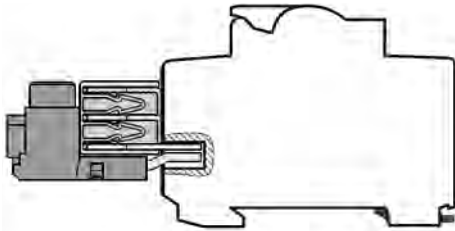
E90 with 1-phase busbar
Feeder terminal AST 35/15-1 CB



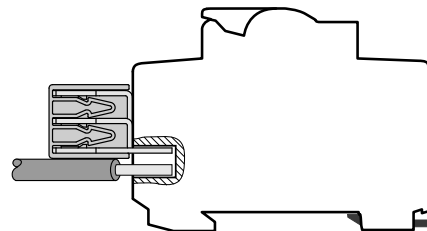
E90 with 1-phase busbar
Feed using cable



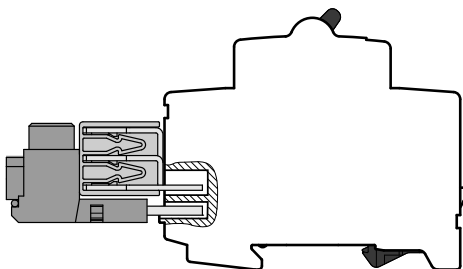
E90 with 2-/3-phase busbar
Feeder terminal AST 35/38-1 CB



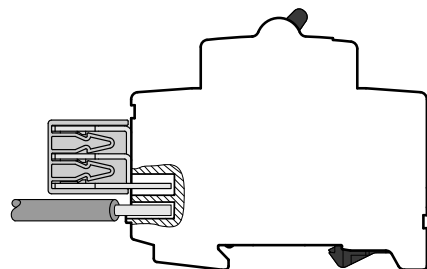
E90 with 2-/3-phase busbar
Feed using cable



MCB with 2-/3-phase busbar
Feeder terminal AST 35/38-2 CB



MCB with 2-/3-phase busbar
Feed using cable



Busbars and accessories for

MCBs and Fuseholder E90, for use in applications up to 1 000 V DC



Busbars PS...DC (cuttable) for use with end caps PS-END0 and PS-END3

No. of phases	Phase sequence	bbn 40 16779 EAN	Type	Order code	Pack unit pcs.	Weight 1 pc. kg
1	L1-L1-L1...	960168	PS1/60/30DC	2CDL210130R6030	10	0.485
	L1-Aux (free)-L1-Aux (free)... ¹⁾	960175	PS1/39/30HDC	2CDL210130R3930	10	0.435
2	L1-L2-L1-L2...	960199	PS2/60/30DC	2CDL220130R6030	10	0.94
	L1-Aux (free)-L2-Aux (free)... ¹⁾	960212	PS2/38/30HDC	2CDL220130R3830	10	0.85

1) for devices with auxiliary contact (half module) after each phase sequence or for devices with 27 mm module width

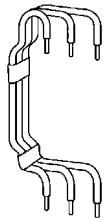
Accessories

Description	bbn 40 16779 EAN	Type	Order code	Pack unit pcs.	Weight 1 pc. kg
Tooth covers, for 5 pins (pin distance 17.6 mm)	420006	SZ-BSK	2CDL200001R0011	10	0,003
End caps 1-phase busbar	652261	PS-END0 2)	2CDL200001R0004	25	0.001
End caps 2-phase busbar	654302	PS-END3	2CDL200001R3001	50	0.001
Feeder terminal in combination with 1-phase busbar	962483	AST35/18DC	2CDL200130R3518	10	0.025
Feeder terminal in combination with 2-phase busbar	962490	AST35/45DC	2CDL200130R3545	10	0.032

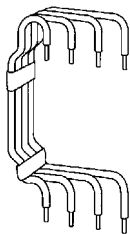
2) 1 pair (= left and right end cap)

Accessories

for S 200, SN 201, F 200, DS 200 and other series



RV 3



RV 4



identification label

Rail connectors

For wiring of component rails in the consumer unit, rail-to-rail clearance 125 mm. In the case of the 4-pole connector, the color of the N conductor is blue.

No. of pins	Phases	mm ²	Cu-No.	Bbn 4016779	Order details		Price 1	Weight 1 piece	Pack unit
					EAN	Type code			
	3-pole	10		512381	RV 3		GHV0360504R0023	0.080	25
	4-pole	10		512244	RV 4		GHV0360504R0024	0.114	25

Auxiliary contact bridge for bottom-fitting auxiliary contacts

Wire jumper for integrated auxiliary contact (MCB S200 H or auxiliary contacts S2C-H01/S2C-H10) for series connections (HKB) or parallel connections (HKB1).

No. of pins	Phases	mm ²	Cu-No.	Bbn 4016779	Order details		Price 1	Weight 1 piece	Pack unit
					EAN	Type code			
	1/2 mod.				523134		GHV0360504R0100	0.001	1000
	1 mod.				524209		GHV0360504R0101	0.001	1000

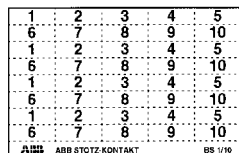
Labelling system

Package comes with 40 labels, marked or blank. Blank labels can be labeled by hand with an indelible, waterproof pen or using a computerised labelling system (plotter).

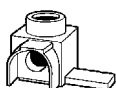
Description	Bbn 4016779	Order details		Price 1	Weight 1 piece	Pack unit
		EAN	Type code			
identification labels blank	478106	BS		GHS2001946R0001	0.004	30
identification labels with pictograms	478205	BS Pikto		GHS2001946R0002	0.004	30
identification labels marked 4 x 1 – 10	478304	BS 1/10		GHS2001946R0003	0.004	30
identification labels marked 2 x 1 – 20	478403	BS 1/20		GHS2001946R0004	0.004	30
identification labels marked 1 – 40	478502	BS 1/40		GHS2001946R0005	0.004	30
identification labels marked 41 – 80	585910	BS 41 – 80		GHS2001946R0006	0.004	30
identification labels marked 81 – 120	585927	BS 81 – 120		GHS2001946R0007	0.004	30
identification labels marked 121 – 160	585934	BS 121/160		GHS2001946R0008	0.004	30

Accessories

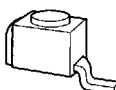
for S 200, SN 201, F 200, DS 200 and other series



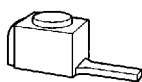
BS 1/10



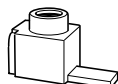
Ast 25/15 QS
Ast 25/15 Q
Ast 25/30 QS
Ast 25/30 Q
Ast 50/15 QS
Ast 50/15 Q
Ast 50/18 Q
Ast 50/32 Q



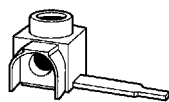
SZ-Ast 95 gk



SZ-Ast 95



Ast 25/15 S
Ast 50/15 S
Ast 50/15
Ast 50/18



Ast 50/32 Q

Identification system ILS

The ILS individual identification system for labels is a DIN A5 polyester film for ink jet and laser printers with high temperature resistance. (If laser printers are used, please check whether self-adhesive film with thickness of 250 µm can be fed.) Adhesive coating 3MTM9471 LE has obtained UL approval (file No. MH 11410). There are two types of sheet: uncut for making individual labels or precut with 23 stripes (6 x 191 mm each) for labelling 11 devices (1-module width) per stripe. Word template can be downloaded from www.abb.de/stotz-kontakt. Can also be used as write-on labels (ink, ballpoint pen, pencil, marker).

Description	Bbn 4016779	Order details		Price 1 piece	Weight 1 piece kg	Pack unit pc.
	EAN	Type code	Order code			
1 sheet DIN A5 uncut for laser printer	663076	ILS-L	2CDL200002R0003		0.011	1
1 sheet DIN A5 precut in 23 stripes (6 x 191 mm) for laser printer	663083	ILS-LS	2CDL200002R0004		0.011	1
1 sheet DIN A5 uncut for inkjet printer	663090	ILS-I	2CDL200002R0005		0.011	1
1 sheet DIN A5 precut in 23 stripes (6 x 191 mm) for inkjet printer	663106	IILS-IS	2CDL200002R0006		0.011	1

Terminals, insulated with pin contact

Technical features			
Connection capacity	6-25 mm ²	6-50 mm ²	25-95 mm ²
Max. electrical load	63 A	100 A	225 A
Max. operating voltage	600 V AC	600 V AC	690 V AC
Max. tightening torque	2 Nm	3 Nm	19 Nm

The terminals are single-phase. When combined in a multi-phase installation the required clearance and creepage distances needs to be considered!

Conn. capacity	Terminal lug LxW mm	Type of connection	Cu- No. kg	Bbn 4016779	Order details		Price 1 piece	Weight 1 piece kg	Pack unit pc.
				EAN	Type code	Order code			
mm ²									
6-25	15/4	90°	0.012	656535	Ast 25/15 QS	2CDL200010R2515			50
6-25	15/4	straight	0.012	656542	Ast 25/15 S	2CDL200011R2515			50
6-25	15/6	90°	0.012	656474	Ast 25/15 Q	2CDL200000R2515			50
6-25	22/4	90°	0.012	669436	Ast 25/22 QS	2CDL200010R2522			50
6-25	30/4	90°	0.012	656481	Ast 25/30 QS	2CDL200010R2530			50
6-25	30/6	90°	0.014	656498	Ast 25/30 Q	2CDL200000R2530			50
6-50	15/4	90°	0.014	656504	Ast 50/15 QS	2CDL200000R5015			50
6-50	15/4	straight	0.014	656566	Ast 50/15 S	2CDL200011R5015			50
6-50	15/7	90°	0.014	656559	Ast 50/15 Q	2CDL200010R5015			50
6-50	15/7	straight	0.014	656511	Ast 50/15	2CDL200001R5015			50
5-50	17.5/7	90°	0.019	656580	Ast 50/18 Q	2CDL200100R5018			50
6-50	17.5/7	straight	0.019	656573	Ast 50/18	2CDL200101R5018			50
6-50	32/6	90°	0.017	656528	Ast 50/32 Q	2CDL200000R5032			50
25-95	21/6.5	straight	0.06	522618	SZ-Ast 95 gk*	GHV0360501R0012		0.067	50
25-95	21/6.5	straight	0.06	522625	SZ-Ast 95*	GHV0360501R0013		0.067	50

Abbreviations: Q terminal 90°

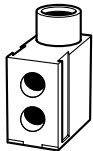
* not for pro M compact S narrow connection pin

Accessories

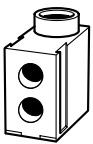
for S 200, SN 201, F 200, DS 200 and other series



SZ-ESK 2



SZ-ESK 3



SZ-ESK 3 S



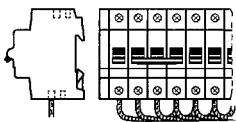
SZ-DB 121



SZ-DB 232 N



SZ-DB 125 N



example 1
wiring of devices
consisting of modules
with different lengths
with SZ-DB 125 N or 312

Feeder terminals

Single-pole terminals can be mounted side by side with multipole terminals.

Conn. capacity	Termi- nal lug LxW mm	Type of con- nec- tion	Cu-No. kg	Bbn 4016779 EAN	Order details		Price 1 piece	Weight 1 piece kg	Pack unit pc.
					Type code	Order code			
6-35				646765	SZ-ESK 2	2CDL200001R3501		0.024	10
6-50				652575	SZ-ESK 3	2CDL200003R5001		0.025	10
6-50				652889	SZ-ESK 3 S	2CDL200003R5003		0.024	10

Flexible connecting wires

Advantages: smaller dimensions for the same cross-section (more space in terminal)

nearly no transition resistances

more reliability; conductor sleeves could be loosen under specific conditions

with fork-type cable lug (black)

Conn. capacity	Lenght		Bbn 4012233 EAN	Order details		Price 1 piece	Weight 1 piece kg	Pack unit pc.
				Type code	Order code			
6	125	0.006	55650 2	SZ-DB 121	GHV0361425R0001		0.025	1000/50
10	135	0.010	55670 0	SZ-DB 122 N	GHV0361425R0031		0.02	500/25
6	260	0.014	55680 9	SZ-DB 231 N	GHV0361425R0032		0.02	500/25
10		0.022	55690 8	SZ-DB 232 N	GHV0361425R0033		0.04	250/25
10	330	0.029	55700 4	SZ-DB 311	GHV0361425R0034		0.05	100/25

with fork-type cable lug and ultrasonic compacted cable ends (black)

Conn. capacity	Lenght		Bbn 4012233 EAN	Order details		Price 1 piece	Weight 1 piece kg	Pack unit pc.
				Type code	Order code			
6	125	0.007	55660 1	SZ-DB 123	GHV0361425R0006		0.01	1000/50
10	135	0.012	55710 3	SZ-DB 124 N	GHV0361425R0035		0.02	500/25
6	260	0.014	55720 2	SZ-DB 235	GHV0361425R0036		0.02	500/25
10		0.024	55730 1	SZ-DB 236	GHV0361425R0037		0.04	250/25

with ultrasonic compacted cable ends (black)

Conn. capacity	Lenght		Bbn 4012233 EAN	Order details		Price 1 piece	Weight 1 piece kg	Pack unit pc.
				Type code	Order code			
6	125	0.007	55740 0	SZ-DB 125 N	GHV0361425R0038		0.01	1000/50
6	260	0.015	55750 9	SZ-DB 233 N	GHV0361425R0039		0.02	500/25
10	135	0.013	55760 8	SZ-DB 126 N	GHV0361425R0040		0.02	500/25
10	260	0.025	55770 7	SZ-DB 234 N	GHV0361425R0041		0.04	250/25
10	330	0.032	55780 6	SZ-DB 312	GHV0361425R0042		0.05	100/25

with ultrasonic compacted cable ends (blue)

Conn. capacity	Lenght		Bbn 4012233 EAN	Order details		Price 1 piece	Weight 1 piece kg	Pack unit pc.
				Type code	Order code			
10	135	0.013	66352 6	SZ-DB 10/135 N	2CDL200301R0135		0.02	25
10	260	0.025	66353 3	SZ-DB 10/260 N	2CDL200301R0260		0.04	25
10	330	0.032	66354 0	SZ-DB 10/330 N	2CDL200301R0330		0.05	25

Accessories

for S 200, SN 201, F 200, DS 200 and other series



SZ-6/3

Neutral and protective-conductor terminals with insulation holder for quick fastening onto DIN rails EN 50 022

Input	Output	Bbn 4012233	Order details		Price 1	Weight 1 piece	Pack unit
mm ²	mm ²	EAN	Type code	Order code	piece	kg	pc.
1 x 16	6 x to 16	50592 5a	SZ-6/3	GHV0360876R0003		0.022	10
1 x 16	2 x to 16 6 x to 10	59660 7	SZ-KLB 8	GJI2320131R0001		0.025	30
1 x 16	2 x to 16 10 x to 10	59530 3	SZ-KLB 12	GJI2320071R0013		0.035	30
1 x 35	4 x to 16 12 x to 10	59540 2	SZ-KLB 16	GJI2320072R0017		0.077	30
1 x 35	4 x to 16 20 x to 10	59550 1	SZ-KLB 24	GJI2320073R0016		0.100	30



SZ-KLB 8, 12, 16, 24

Holders for SZ-KLB terminals

Screw-fixing

SZ-KLB 8 and 12 each 1 piece required

SZ-KLB 16 and 24 each 2 pieces required



SZ-Ktr

Conn. capacity	Lenght	Bbn 4012233	Order details		Price 1	Weight 1 piece	Pack unit
mm ²		EAN	Type code	Order code	piece	kg	pc.
		59450 4	SZ-Ktr	GJI2024027R0001		0.003	100

Neutral and protective-conductor terminals with insulation holder for quick fastening onto DIN rails EN 50 022

Neutral with blue insulation holder; type C finger safe, conductor opening closed on one side



SZ-Ktr with KLB

Input	Output	Bbn 4012233	Order details		Price 1	Weight 1 piece	Pack unit
mm ²	mm ²	EAN	Type code	Order code	piece	kg	pc.
1 x 16	6 x 16	55570 3	SZ-N 6/3	GHV0360876R0001		0.027	20
1 x 16	11 x 16	55580 2	SZ-N 11/3	GHV0360876R0002		0.043	20
1 x 16	6 x 16	57095 4 ①	SZ-N 6/3 C	GHV0360876R0011		0.028	20
1 x 16	6 x 16	57096 1 ①	SZ-N 11/3 C	GHV0360876R0012		0.046	20



SZ-N6/3

Protective conductor with green/yellow insulation holder; type C finger safe, conductor opening closed on one side



SZ-N11/3

Conn. capacity	Lenght	Bbn 4012233	Order details		Price 1	Weight 1 piece	Pack unit
mm ²		EAN	Type code	Order code	piece	kg	pc.
1 x 16	6 x 16	55600 7	SZ-PE 6/3	GHV0360876R0004		0.027	20
1 x 16	11 x 16	55610 6	SZ-PE 11/3	GHV0360876R0005		0.043	20
1 x 16	6 x 16	57097 8 ①	SZ-PE 6/3 C	GHV0360876R0014		0.028	20
1 x 16	11 x 16	57098 5 ①	SZ-PE 11/3 C	GHV0360876R0015		0.046	20

① bbn-No. 40 16779

Accessories

for S 200, SN 201, F 200, DS 200 and other series



SZ-BP 1



SZ-B



SZ-BP 2



SZ-BP 12 G



SZ-BP R



SZ-VP 1500



END



SZ-FDT 2

Blanking plates

For device covers with materials of a thickness of 1 to 3 mm, width: 1 module = 17.5 mm; color: grey RAL 7035, white RAL 9001

Input	Output	Bbn 4012233	Order details		Price 1	Weight 1 piece	Pack unit
mm ²	mm ²	EAN	Type code	Order code	piece	kg	pc.
46/grey	213	06050 4	SZ-BP 1	GHL5301904R0001		0.028	100
46/white	17.5	12857 4 a	SZ-BP	GHS2701913R0001		0.005	
46/grey	17.5	12861 1 a	SZ-BP 2	GHS2701913R0002		0.005	
46/grey	220	65227 8 a	SZ-BP 12 G	2CDL000001R1220		0.022	50
46/white	220	66355 7 b	SZ-BP 12 W	2CDL000001R2220		0.020	50

	Bbn 4012233	Order details		Price 1	Weight 1 piece	Pack unit
	EAN	Type code	Order code	piece	kg	pc.
Locking devices for SZ-BP 12 G	652285 a	SZ-BP R	2CDL000001R1001		0.001	30

Sealing plate

Seal-proof locking of stamped-out device covers.

Detachable only from the inside of the device cover.

Can be used for device covers with 1.5 to 3 mm material thickness.

Height of cutout/color	Width	Bbn 4012233	Order details		Price 1	Weight 1 piece	Pack unit
mm	mm	EAN	Type code	Order code	piece	kg	pc.
46/grey	1500	60290 2	SZ-VP 1500	GJI9959038R0001		0.366	10

End bracket

Prevents lateral shifting of built-in devices mounted on DIN rails according to DIN EN 60 715, 35 x 7.5 mm.

	Bbn 4012233	Order details		Price 1	Weight 1 piece	Pack unit
	EAN	Type code	Order code	piece	kg	pc.
	59090 2	END	GJI1001814R0001		0.02	50

Filling piece

e.g. for heat dissipation of closely mounted devices that generate much heat. Width 8.75 mm, as spacer, two different heights, breakable, for DIN rails according to DIN EN 60 715, 35 x 7.5 mm.

	Bbn 4012233	Order details		Price 1	Weight 1 piece	Pack unit
	EAN	Type code	Order code	piece	kg	pc.
8.75	06070 2	SZ-FST 2	GHL5301908R0002		0.01	25

Spring piece

Holder for device covers, various heights available (in connection with FST 2 filling piece)

	Bbn 4012233	Order details		Price 1	Weight 1 piece	Pack unit
	EAN	Type code	Order code	piece	kg	pc.
	06080 1	SZ-FDT 2	GHL5301908R0005		0.002	25

Accessories

for S 200, SN 201, F 200, DS 200 and other series



SZ-FST 2 + SZ-FDT 2

Filling piece

Two different heights, breakable, for DIN rails according to DIN EN 60 715, 35 x 7.5 mm for MCBs S 220 (3 different heights)

	Bbn 4012233	Order details		Price 1 piece	Weight 1 piece	Pack unit
	EAN	Type code	Order code		kg	pc.
8.75	59410 8	SZ-FST	GJI1480003R0001		0.01	25

① bbn-Nr. 4016779

Spring catch for mounting devices onto DIN rails (DIN EN 60715, 35 x 7.5)



SZ-FST

	Bbn 4012233	Order details		Price 1 piece	Weight 1 piece	Pack unit
	EAN	Type code	Order code		kg	pc.
for screw type M4	64560 2	SZ-FB 45.53-3	GJI1842013P0003		0.03	50
for screw type M5	64580 0	SZ-FB 45.53-1	GJI1842013P0004		0.03	50

False poles

	Bbn 4012233	Order details		Price 1 piece	Weight 1 piece	Pack unit
	EAN	Type code	Order code		kg	pc.
False pole - 1 module	061304	FP1	16021765		0.01	100
False pole - 2 modules	061403	FP2	16021773		0.014	50
False pole - 4 modules	061502	FP4	16021781		0.022	30
False pole - 6 modules	061601	FP6	16021799		0.031	20
Support for false pole	061700	SFP	16021831		0.012	10



SZ-FB 45.53-1



SZ-FB 45.53-3

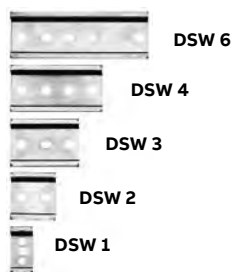


FP



Accessories

for S 200, SN 201, F 200, DS 200 and other series



DIN rails

DIN rails (DIN EN 60 715 – 35 x 7.5) for individual installation with 2 screws on an even surface (1 module = 17.5 mm)

	Bbn	Order details		Price 1 piece	Weight 1 piece	Pack unit
	4012233	EAN	Type code			
for 1 module	13580 6	DSW 1	GHS2101926R0001	0.060	10	
for 2 modules	13590 5	DSW 2	GHS2101926R0002	0.012	10	
for 3 modules	13600 1	DSW 3	GHS2101926R0003	0.018	10	
for 4 modules	13610 0	DSW 4	GHS2101926R0004	0.024	10	
for 6 modules	13620 9	DSW 6	GHS2101926R0006	0.036	10	

DIN rail DIN EN 60 715, 35 x 7.5, material thickness 1 mm, surface protected, galvanised.

	Bbn	Order details		Price 1 piece	Weight 1 piece	Pack unit
	4012233	EAN	Type code			
241	04090 2	SKV-GTS 1	GHL1101915R0001	0.09	40	

DIN rails DIN EN 60 715, 35 x 7.5, material thickness 1 mm, surface galvanised.

	Bbn	Order details		Price 1 piece	Weight 1 piece	Pack unit
	4012233	EAN	Type code			
1000	59730 7	SZ-SI 45.460	GJI2322218R0001	0.35	10	
2000	59760 4	SZ-TS 7.5 L2	GJI2322218R0007	0.70	20	

DIN rails DIN EN 60 715, 35 x 15, material thickness 1.5 mm, surface galvanised

	Bbn	Order details		Price 1 piece	Weight 1 piece	Pack unit
	4012233	EAN	Type code			
2000	59780 2	SZ-SI 45.472	GJI2322218R0010	1.30	10	
2000	59770 3	SZ-TS 15 L2	GJI2322218R0009	0.78	10	



SKV-GTS 1



SZ-SI 45.460



SZ-TS 7.5 L2



SZ-SI 45.472



SZ-TS 15 L2

Accessories

for S 200, SN 201, F 200, DS 200 and other series



S2C-DH

Rotary operating mechanism (usable just with S200 devices)

For the actuation of 2-, 3- or 4-pole miniature circuit-breakers in closed distribution boards for driveaxles of 5 or 6 mm² (square)

Bbn 4012233	Order details			Price 1	Weight 1 piece	Pack unit
EAN	Type code	Order code	piece	kg	pc.	
57960 5	S2C-DH	GHS2001901R0003		0.175	1	

Note: S2C-DH cannot be used on DS200

Handles

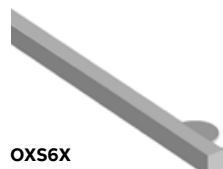
Handle IP 65, 65 x 65 mm, padlockable with max. 3 padlocks (bail diameter 5 - 8 mm), door interlock in ON-position, adjustable*



OH

Color	Suitable for switches	Bbn 4012233	Order details		Price 1	Weight 1 piece	Pack unit
		EAN	Type code	Order code	piece	kg	pc.
Black	OT16...40F	40978 8	OHBS2AJ	1SCA105213R1001			1
Yellow-red	OT16...40F	41226 9	OHYS2AJ	1SCA105296R1001			1
Silver	OT16...40F	41199 6	OHSS2AJ	1SCA105278R1001			1
Grey	OT16...40F	41186 6	OHGS2AJ	1SCA105265R1001			1

Handle IP 65, 65 x 65 mm, padlockable with max. 3 padlocks (bail diameter 5 - 8 mm), door interlock in ON-position



OXS6X

Color	Suitable for switches	Bbn 4012233	Order details		Price 1	Weight 1 piece	Pack unit
		EAN	Type code	Order code	piece	kg	pc.
Black	OT16...40F	41140 8	OHBS2AJ1	1SCA105215R1001			1
Yellow-red	OT16...40F	41227 6	OHYS2AJ1	1SCA105297R1001			1
Silver	OT16...40F	41210 8	OHSS2AJ1	1SCA105279R1001			1
Grey	OT16...40F	41187 3	OHGS2AJ1	1SCA105266R1001			1

* OH_2_J enables selection of MCB behavior when opening panel door (remain switched on or switch off).
OH_2_J1 will cause MCB to switch off when opening panel door.

Axle extension

Type and order numbers are for one piece. For selector type handles. Shaft diameter 6 mm.

Lenght	Suitable for switches	Bbn 4012233	Order details		Price 1	Weight 1 piece	Pack unit
		EAN	Type code	Order code	piece	kg	pc.
85	OT16...40F	36571 8	OXS6X85	1SCA101647R1001		0.02	10
105	OT16...40F	42411 8	OXS6X105	1SCA108043R1001		0.02	10
120	OT16...40F	36578 7	OXS6X120	1SCA101654R1001		0.03	10
130	OT16...40F	36577 0	OXS6X130	1SCA101655R1001		0.03	10
160	OT16...40F	36580 0	OXS6X160	1SCA101656R1001		0.04	10
180	OT16...40F	36583 1	OXS6X180	1SCA101659R1001		0.04	10
250	OT16...40F	36584 8	OXS6X250	1SCA101660R1001		0.05	10
330	OT16...40F	36585 5	OXS6X330	1SCA101661R1001		0.05	10

Accessories

for S 200, SN 201, F 200, DS 200 and other series



SZ-ES 68/83



SA 1



SA 2



KA 27 H + KA 27 S



PCD 2 N



PCD 4 N

Elevation piece

Compensates for different size of built-in devices with a mounting height of 68 mm and power MCBs of series S500 (83 mm)

Bbn	Order details			Price	Weight	Pack
4012233				1	1 piece	unit
EAN	Type code	Order code	piece	kg	pc.	
53390 9	SZ-ES 68/83	GHV0211425R0001		0.003	100	

Locking device for MCBs and switches

Prevents unauthorised or dangerous operation of the operating lever. An adaptor makes it possible to block the operating lever whether switched ON or OFF. The lever is blocked with a padlock having a cross bar section of 3 or, as the case may be, 6 mm max. For multipole devices, one lock may be fitted per pole.

The lock adaptor can be used for all MCBs of the S 200, S 280 series, RCBOs DS201-DS202C as well as for switches E 200.

Bbn	Order details			Price	Weight	Pack
4016779				1	1 piece	unit
EAN	Type code	Order code	piece	kg	pc.	
locking devices for padlock bar	3 mm	58760 5	SA 1	GJF1101903R0001	0.004	10
	6 mm	58790 2	SA 1E	GJF1101903R0004	0.004	10
padlock with 2 keys		58770 4	SA 2	GJF1101903R0002	0.02	10
padlock, identical locking with 2 keys		96940 1	SA 2 i	GJF1109999R0001	0.02	10
lock adaptor incl. padlock with 3 keys in transparent box		58780 3	SA 3	GJF1101903R0003	0.05	10

Terminal cover KA 27

Provides overall touch protection of live parts. Suitable for installations acc. to DIN EN 50274 (DIN VDE 0660 Part 514) and BGV A2.

End parts can be snapped onto mounting rails EN 60 715, 35 mm. Covers are 486 mm = 27 modules (18 mm each) long. Knockouts for each half module for individualised use.

Bbn	Order details			Price	Weight	Pack
4012233				1	1 piece	unit
EAN	Type code	Order code	piece	kg	pc.	
cover, 1 piece	13630 8	KA 27 H	GHS2101933R0001		0.104	10
end part, 1 piece	13640 7	KA 27 S	GHS2101934R0001		0.027	10

Terminal covers with base plate, protection IP 40

Material: high-impact and flame-retardant (UL 94 V-0), color: white (RAL 9016), glow-wire test 960 °C according to IEC 695-2-1

The base plate has an integrated top-hat rail for snap-on fixing of MCBs, RCDS, modular built-in devices, etc.

Bbn	Order details			Price	Weight	Pack
4012233				1	1 piece	unit
EAN	Type code	Order code	piece	kg	pc.	
for 2 modules	12402 6	PCD 2 N	GHS2701921R0002		0.09	1
for 4 modules	12404 0	PCD 4 N	GHS2701921R0004		0.15	1
for 6 modules	12406 4	PCD 6 N	GHS2701921R0006		0.2	1

Accessories

for S 200, SN 201, F 200, DS 200 and other series

Flanges

	Bbn 8012542	Order details		Price 1	Weight 1 piece	Pack unit
	EAN	Type code	Order code	piece	kg	pc.
Flange for rear board fixing 1 module - IP40	304401	ME 1	16219300		0.040	1
Flange for rear board fixing 2 modules - IP40	304500	ME 2	16219318		0.045	1
Flange for rear board fixing 3 modules - IP40	304609	ME 3	16219326		0.055	1
Flange for rear board fixing 4 modules - IP40	304708	ME 4	16219334		0.060	1
Flange for rear board fixing 6 modules - IP40	304807	ME 6	16219342		0.070	1
Flange for rear board fixing 8 modules - IP40	304906	ME 8	16219359		0.080	1

Auxiliary elements for

S750 DR series



S750DR-AUX

Electrical data									
Standards	DIN EN 62019 (VDE 0640), IEC/EN 62019 DIN EN 60947-5-1 (VDE 0660-200), IEC/EN 60947-5-1								
Conventional free air thermal current I _{th}	6 A								
Utilisation categories	AC14		AC15		DC12		DC13		
U _e	400 V	230 V	400 V	230 V	250 V	125 V	60 V	24 V	
I _e (max)	2 A	6 A	2 A	6 A	0.5 A	1.5 A	2 A	4 A	
Rated insulation voltage U acc. to IEC/EN 60664-1	690 V AC								
Overvoltage category	IV								
Pollution Degree	3								
Protection degree acc. to IEC/EN 60529	IP20								
Min. switching power DC	5V DC/5 mA, 12V DC/5 mA								
Rated impuls withstand voltage U _{imp} (1.2/50 μs)	6 kV								
Installation									
Cross-section of	1 conductor	0.75 - 2.5 mm ² solid, flexibel with and without insulated ferrule conductors							
	2 conductor	2 x 0.75 - 2 x 2.5 mm ² solid, flexibel with and without insulated ferrule							
Tightening torque	0.8 Nm								
Mechanical data									
Vibration resistance according to IEC/EN 60 068-2-6	5 g, 20 cycles at 5 ...150...5 Hz with 24 V AC/DC, 5 mA, without switching operation								
Mechanical endurance	10,000 ops.								
Pole dimensions (H x D x W)	128 x 77 x 8.7								
Mounting									
	Only 1 auxiliary contact mountable on the right site								
	Not mountable to S751DR/3								

Auxiliary elements for

S750 DR



S750DR-AUX

Auxiliary contact S750DR-AUX

Two change-over contacts indicate the contact position of the S750 DR pole(s) independently and potential-free. A test button can be used to verify the correct indication of the contact position without switching the pole(s).

The change-over contacts fulfill the requirements of electrical separation of the main circuit connected to the pole(s).

The S750DR-AUX can be mounted on S750 DR 1-4 pole-devices without tools.

	Bbn 4016779	Order details		Price 1	Weight 1 piece	Pack unit
	EAN	Type code	Order code	piece	kg	pc.
Auxiliary contact	941891	S750DR-AUX	2CDH700901R0001		0.07	1

Accessories for

S 700



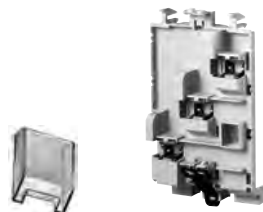
S 700 BT 3 S 700 KA 1



S 700 KA 2/3 S 700 KA 4



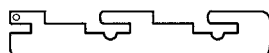
S 700 KA 5 S 700 SPA



S 700 SPB 1 S 700 QA
S 700 SPB 2



S 700 SA 1



S 700-SPE

Mounting adapters

DIN rail adapter for mounting S 700 onto 1 or 2 DIN rails 35 mm acc. to EN 50022 (distance of DIN rails 125 mm when using 2 DIN rails)

	Bbn 4012233	Order details		Price 1	Weight 1 piece	Pack unit
	EAN	Type code	Order code	piece	kg	pc.
no. to be used: S701: 1 pc. S 702, S703, S704: 2 pc	28440 0	S 700 BT 3	GHS7001902R0003			10

Busbar adapter for mounting onto 40 mm busbar systems, 4 or 5 pole, with busbars 5 x 12 mm or 10 x 12 mm

	Bbn 4012233	Order details		Price 1	Weight 1 piece	Pack unit
	EAN	Type code	Order code	piece	kg	pc.
single phase: L1 or L2 or L3 (adjustable)	25430 4 ①	S 700 SA 1	GHS7001917R0001		0.105	1
3-phase	52793 4 ①	S 700 QA	GHS7001106R0001		0.35	1

Terminal covers, 2 per pole

	Bbn 4012233	Order details		Price 1	Weight 1 piece	Pack unit
	EAN	Type code	Order code	piece	kg	pc.
within the shape of S 700	52050 3	S 700 KA 1	GHS7001903R0001		0.001	6
for cutouts of 160 mm	52090 9	S 700 KA 2	GHS7001907R0001		0.01	6
for cutouts of 175 mm	52100 5	S 700 KA 3	GHS7001908R0001		0.01	6
with cable entry	52140 1	S 700 KA 4	GHS7001913R0001		0.015	6
for IP20 protection (front)	24300 1 ①	S 700 KA 5	GHS7001903R0005		0.003	6

Handle covers, 1 per pole

	Bbn 4012233	Order details		Price 1	Weight 1 piece	Pack unit
	EAN	Type code	Order code	piece	kg	pc.
to prevent manual switch-off	52060 2	S 700 SPA	GHS7001905R0001		0.001	10
to prevent manual switch-off/-on, transparent	52070 1	S 700 SPB 1	GHS7001906R0001		0.002	10
to prevent manual switch-off/-on, grey	52080 0	S 700 SPB 2	GHS7001906R0002		0.002	10

Locking for 3 mm padlock

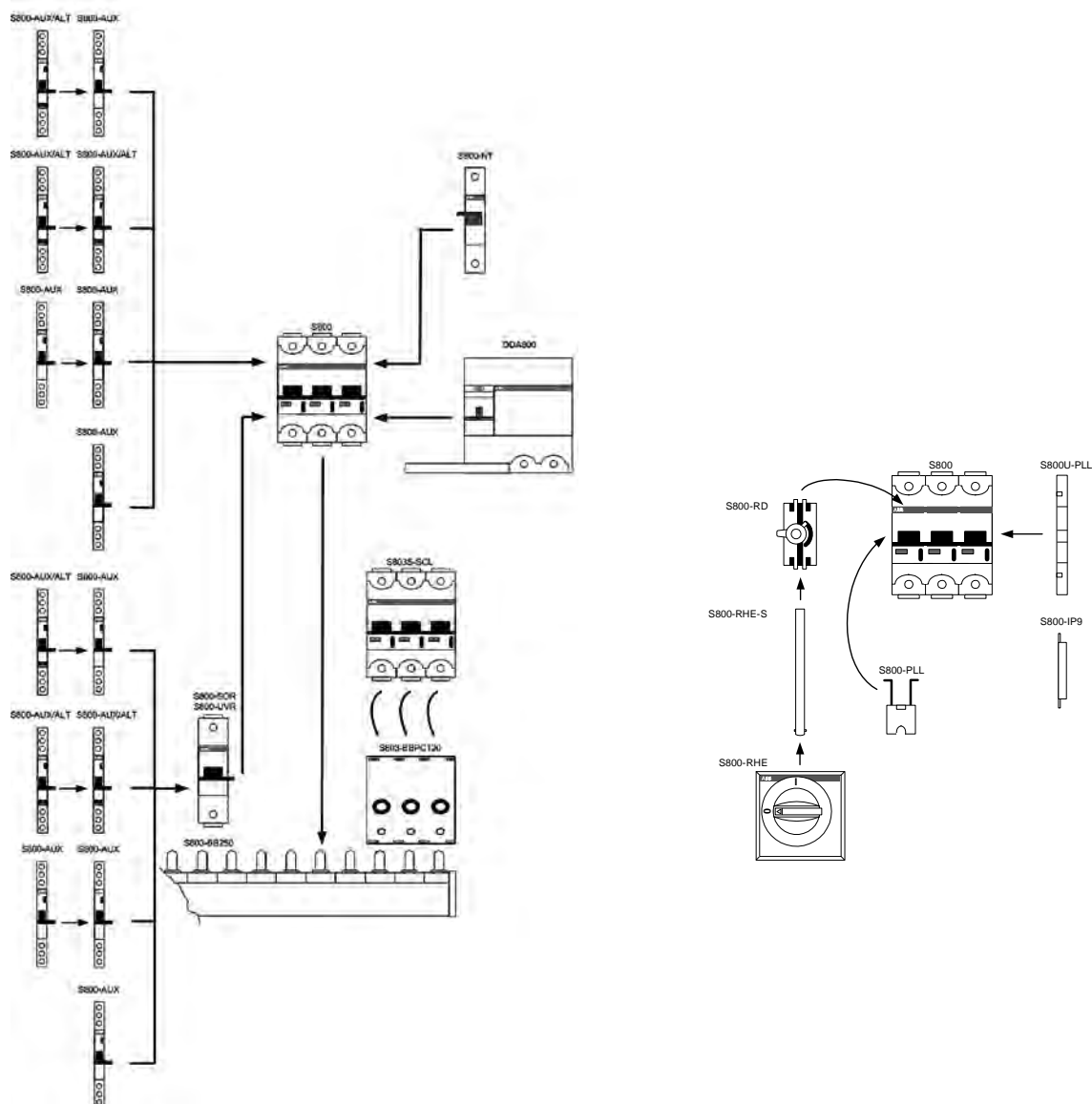
	Bbn 4012233	Order details		Price 1	Weight 1 piece	Pack unit
	EAN	Type code	Order code	piece	kg	pc.
locking plate 3 pole	52110 4	S 700 SPE	GHS7001909R0001		0.002	10

① bbn-No. 4016779

Auxiliary elements for MCBs S800 series

Selection table

Combination between auxiliary elements and S800



S800-AUX	Auxiliary contact for external display
S800-AUX/ALT	Combined auxiliary and signal contact for the external display
S800-NT	Disconnectable neutral conductor 63A
S800-SOR	Shunt opening release
DDA800	RCD block
S803-BB	Busbar system
S800RD	Rotary drive
S800-RHE	Rotary handle
S800-IP	Intermediate piece
S800-PLL/S800U-PLL	Padlock device/Locking device for American market
S800-UVR	Undervoltage release
S803-SCL/S800-SCL-SR	Short-circuit current limiter/Short-circuit current limiter self resetting

Auxiliary elements for S800

S800-AUX



S800-AUX

Auxiliary contact for external display

The S800-AUX auxiliary contact is for electrical display of the operating state of the high performance MCB. Both changeover contacts always switch simultaneously with the live conductor contact and detect the following operating states:

- Manual tripping
- Tripping due to thermal overload
- Tripping due to magnetic overload (short-circuit)

Mode of function of the test button

The test button is operated by a tool and allows the user to simulate the mode of function of the auxiliary contact when switched on without tripping the high performance MCB itself.

Mode of function of the two changeover contacts

- Off position of the high performance MCB contacts 11–12 and 21–22 closed
- On position of the high performance MCB contacts 11–14 and 21–24 closed

Mounting ability of the auxiliary contact

- Two S800-AUX auxiliary contacts can be mounted by the user at the left on the high performance MCB.

Auxiliary contact S800-AUX

Utilisation categories compliant to IEC 60947-5-1	AC15 400/2 A, AC15 240/6 A, DC13 250/0.55 A, DC13 125V/1.1 A, DC13 60V/2 A, DC13 24V/4 A	
Rated values compliant to UL 489	125 VAC/6 A, 250 VAC/5 A, 24 VDC/4 A, 125 VDC/0.3 A, 250 VDC/0.15 A	
Conventional free air thermal current I_{th}	A	6
Minimum operational current I_{min}	mA	3
Minimum operational voltage U_{min}	V	24
Rated insulation voltage U_i	V	690
Number of contacts		2
Rated impulse withstand voltage U_{imp}	kV	6
Pollution degree		3
Standard	IEC 60947-5-1 / UL 489	
Contact function	Changeover contact	
Connection C_u	mm ²	1 x 2.5 2 x 1.5 14 AWG
Tightening torque	Nm	1
AC/DC feed	any	
Mounting on DIN top hat rail	EN 60715	
Protection category	IP20	
Permissible operating ambient temperature	°C	-25 ... +60
Storage temperature	°C	-40 ... +70
Mech. lifetime of device	6000 switching cycles	
I_{cu}	A	1000
Vibration resistance	IEC 60068-2-6; EN 61373 Cat.1/Class B 5g, 20 frequency cycle 5 ... 150 ... 5 Hz at 24 V AC/DC, 5 mA short-term interruption <10ms	

Article	GTIN	Order details		Price	Weight	Pack
	761227	Type code	Order code	1	1 piece	unit
	EAN			piece	kg	pc.
Auxiliary contact	1206802	S800-AUX	2CCS800900R0011		0.05	1

Auxiliary elements for S800

S800-AUX/ALT



S800-AUX/ALT

Combined auxiliary and signal contact for the external display

The S800-AUX/ALT combined auxiliary and signal contact is used for electrical signaling of the operating state of the high performance MCB.

The AUX auxiliary contact always switches simultaneously with the live conductor contact and detect the following forms of tripping:

- Manual switch on/off
- Tripping due to thermal overload
- Tripping due to magnetic overload (short-circuit)
- Tripping by S800-SOR or S800-UVR

The ALT signal contact detects the following forms of tripping of the high performance MCB:

- Tripping due to thermal overload
- Tripping due to magnetic overload (short-circuit)
- Tripping by S800-SOR or S800-UVR

Mode of function of the test button

The test button is operated by a tool and allows the user to simulate the mode of function of the combined auxiliary and signal contact when switched on without tripping the high performance MCB itself.

Mode of function of the ALT reset button

The reset button, which can be used at will, resets the ALT signal contact after a tripping. The high performance MCB is switched on independent of the state of the ALT signal contact.

Mode of function of the AUX changeover contact

- Off position of the high performance MCB Contact 11–12 closed
- On position of the high performance MCB Contact 11–14 closed

Mode of function of the ALT changeover contact

- No ALT tripping Contact 95–96 closed
- ALT tripping Contact 95–98 closed

Auxiliary elements for S800

S800-AUX/ALT

Technical data

Combined auxiliary and signal contact S800-AUX/ALT		
Utilisation categories compliant to IEC 60947-5-1		AC15 400/2 A, AC15 240/6 A DC13 250/0.55 A DC13 125V/1.1 A DC13 60V/2 A DC13 24V/4 A
Rated values compliant to UL 489		125VAC/6 A 250VAC/5 A 24VDC/4 A 125VDC/0.3 A 250VDC/0.15 A
Conventional free air thermal current I_{th}	A	6
Minimum operational I_{min}	mA	3
Minimum operational voltage U_{min}	V	24
Rated insulation voltage U_i	A	690
Number of contacts		2 (1x AUX, 1x AUX/ALT)
Rated impulse withstand voltage U_{imp}	kV	6
Pollution degree		3
Standard		IEC 60947-5-1 / UL 489
Contact function		Changeover contact
Connection C_u	mm ²	1 x 2.5 2 x 1.5 14 AWG
Tightening torque	Nm	1
AC/DC feed.		any
Mounting on DIN top hat rail		EN 60715
Protection category		IP20
Permissible operating ambient temperature	°C	-25 ... +60
Storage temperature	°C	-40 ... +70
Mech. lifetime of device		6000 switching cycles
I_{cu} with S450E	A	1000
Vibration resistance		IEC 60068-2-6; EN 61373 Cat.1/Class B 5g, 20 frequency cycle 5 ... 150 ... 5 Hz at 24V AC/DC, 5mA short-term interruption <10ms

Article	GTIN	Order details		Price	Weight	Pack
	761227	Type code	Order code	1	1 piece	unit
Article	EAN	Type code	Order code	piece	kg	pc.
Auxiliary/signal contact	1206819	S800-AUX/ALT	2CCS800900R0021		0.05	1

Auxiliary elements for S800

S800-NT



S800-NT

Disconnectable neutral conductor 63 A

The S800 high performance MCB is force-opened before actuating the disconnectable neutral conductor S800-NT.

Mounting ability of the S800-NT neutral conductor

The neutral conductor can be mounted by the user at the right on the high performance MCB.

	GTIN 761227	Order details		Price 1	Weight 1 piece	Pack unit
Article	EAN	Type code	Order code	piece	kg	pc.
Disconnectable neutral conductor 63 A	1208196	S800-NT	2CCS800900R0061		0.12	1

Auxiliary elements for S800

S800-RSU system



S800-RSU-H IEC version

S800W-RSU World version

Remote Switching Units for High Performance MCB

The S800-RSU makes the use of S800 even more convenient. Driven by a brushless high precision DC motor, S800-RSU ensures fast remote-controlled operation.

Mounting ability

The S800-RSU is mountable on any multipole S800 High Performance MCB. Wiring and operation is feasible on field. The connection has to be done by a 10-pole Micro Fit 3.0 (not included in delivery). S800-RSU operated with standard MDRC pushbuttons and indicator lights or can be done via programmable logic controllers (PLCs).

Switching times

OFF → ON <<500 ms
from signal to contact closing

ON → OFF <<250 ms
from signal to contact opening

TRIP → OFF → ON <<1500 ms
from signal to contact closing

For differing requirements, please contact your local ABB partner

Safety Intelligence

- When detecting manual use, inputs are deactivated for 10 seconds
- If the spindle is rotated more than 360°, all outputs become active
- Manual switch off via lever is possible (S803, S804)
- Manual switch on via lever is not possible (S802)
- RSU is locked for five minutes after three switching attempts leading to a trip
- Mechanical fixation via lock slider blocking the spindle

S800-RSU-CP

S800-RSU cable incl. 10-pole Micro Fit 3.0 plug

Length of cable: 3 m
Cross section: 10 x 0.5 mm²

Temperature range

moving state: -5 °C ... +70 °C
fixed state: -30 °C ... +80 °C
Rated voltage: 300 V
Conductor resistance: 39.0 Ω/km
Approvals: S+, UL



Auxiliary elements for S800

S800-RSU system

Technical data

S800-RSU-H IEC version		
S800W-RSU World version		
Remote Switching Units for High Performance MCB		
Operating Voltage		24 VDC
Current Consumption I _{rms}	A	2.5
Stand-by Current	mA	< 50
Switching Time OFF-ON	ms	< 500
Switching Time ON-OFF	ms	< 250
Ambient Operation Temperature	°C	-25 ... 70
Switching Cycles over Lifetime		10.000
Standard		S800-RSU-H IEC60947-2 Annex N S800W-RSU UL489
Protection		IP20
Weight	g	300
Connection		10 pole Micro Fit 3.0

Article	GTIN	Order details		Price	Weight	Pack
	761227	EAN	Type code	1	1 piece	unit
Remote Switching Unit* S800-RSU-H	1411244	S800-RSU-H	2CCS800900R0501		0.30	1
Remote Switching Unit* S800W-RSU	1411169	S800W-RSU	2CCS800900R0511		0.30	1
S800-RSU cable incl. plug 3 meters cable 0,5 mm ² (AWG20) incl. 10-pole Micro Fit 3.0 plug	1412869	S800-RSU-CP	2CCS800900R0541		0.35	1
10-pole Micro Fit 3.0 plug	1412845	S800-RSU-P	2CCS800900R0551		0.00	1

* High performance circuit breaker is not included in delivery

Auxiliary elements for S800

S800-SOR



S800-SOR

Shunt opening release

The S800-SOR shunt opening release is for remote release of the S800- high performance MCB using an electrical impulse. Operation of the trigger is guaranteed at a voltage between 70% and 110% of the rated mains voltage U_n both for AC and DC.

Mounting ability of the S800-SOR operating current release

The S800-SOR can be mounted by the user at the left side of the high performance MCB.

Shunt release S800-SOR

		S800-SOR12	S800-SOR24	S800-SOR130	S800-SOR250	S800-SOR400
Rated operational voltage U_e	VAC/DC	12	24	48 ... 130	110 ... 250	220 ... 400
Operating range	% U_e	70 ... 110	70 ... 110	70 ... 110	70 ... 110	70 ... 110
Rated insulation voltage U_i	V	690	690	690	690	690
Coil pull in consumption	W/VA	15.5	16.6/17*	41.9 ... 307.3 42 ... 310*	23 ... 119 20 ... 105*	45 ... 148.1
Rated frequency	Hz	DC; 50/60	DC; 50/60	DC; 50/60	DC; 50/60	DC; 50/60
Pollution degree		3	3	3	3	3
Standard		IEC 60947-2/ UL 489	IEC 60947-2/ UL 489	IEC 60947-2/ UL 489	IEC 60947-2/ UL 489	IEC 60947-2/ UL 489
Connection C_u	mm ²	1 ... 25 (14-2 AWG) strand 1 ... 35 (14-3 AWG) cable	1 ... 25 (14-2 AWG) strand 1 ... 35 (14-3 AWG) cable	1 ... 25 (14-2 AWG) strand 1 ... 35 (14-3 AWG) cable	1 ... 25 (14-2 AWG) strand 1 ... 35 (14-3 AWG) cable	1 ... 25 (14-2 AWG) strand 1 ... 35 (14-3 AWG) cable
Tightening torque	Nm	3.5	3.5	3.5	3.5	3.5
AC/DC supply		any	any	any	any	any
Mounting on DIN top hat rail		EN 60715	EN 60715	EN 60715	EN 60715	EN 60715
Protection category		IP20 IP40	IP20 IP40	IP20 IP40	IP20 IP40	IP20 IP40
		(actuating end only)	(actuating end only)	(actuating end only)	(actuating end only)	(actuating end only)
Permissible operating ambient temperature	°C	-25 ... +60	-25 ... +60	-25 ... +60	-25 ... +60	-25 ... +60
Storage temperature	°C	-40 ... +70	-40 ... +70	-40 ... +70	-40 ... +70	-40 ... +70
Vibration resistance		IEC 60068-2-6; EN 61373 Cat.1/ Class B	IEC 60068-2-6; EN 61373 Cat.1/ Class B	IEC 60068-2-6; EN 61373 Cat.1/ Class B	IEC 60068-2-6; EN 61373 Cat.1/ Class B	IEC 60068-2-6; EN 61373 Cat.1/ Class B

Shunt operation release	GTIN	Order details		Price	Weight	Pack
	761227	EAN	Type code	1	1 piece	unit
			Order code	piece	kg	pc.
12 VAC/DC	1212070	S800-SOR12	2CCS800900R0201		0,15	1
24 VAC/DC	1208318	S800-SOR24	2CCS800900R0191		0.15	1
48...130VAC/DC	1208349	S800-SOR130	2CCS800900R0221		0.15	1
110...250VAC/DC	1208332	S800-SOR250	2CCS800900R0211		0.15	1
220...400VAC/DC	1208356	S800-SOR400	2CCS800900R0231		0.15	1

Auxiliary elements for S800

S800-UVR



S800-UVR

Undervoltage release

The S800-UVR undervoltage release can be used as an emergency-stop cut-as by use of suitable emergency stop buttons. The undervoltage release switches the power supply to the high performance MCB off in case of a failure or if the value falls below $0.7 \times U_n$. After tripping, the high performance MCB can be switched back on as soon as the voltage is over $0.85 \times U_n$.

Mounting ability of the S800-UVR undervoltage release

The S800-UVR can be mounted by the user at the left side of the high performance MCB.

Undervoltage release S800-UVR

		S800-UVR36	S800-UVR60	S800-UVR130	S800-UVR250
Rated operational voltage U_e	VAC/DC	24 ... 36	48 ... 60	110 ... 130	220 ... 250
Operating range					
open	% U_e	35 ... 70	35 ... 70	35 ... 70	35 ... 70
closed	% U_e	85	85	85	85
Rated insulation voltage U_i	V	690	690	690	690
Power loss of coil when attracted	W/VA	1.11 ... 1.14/1.2*	1.14 ... 1.25/1.3*	1.3 ... 1.41/1.4*	1.71 ... 1.91/1.9*
Rated frequency	Hz	DC; 50/60	DC; 50/60	DC; 50/60	DC; 50/60
Pollution degree		3	3	3	3
Standard		IEC 60947-2 / UL 489	IEC 60947-2 / UL 489	IEC 60947-2 / UL 489	IEC 60947-2 / UL 489
Connection C_u	mm ²	1 ... 25 (14-2 AWG) strand 1 ... 35 (14-3 AWG) cable	1 ... 25 (14-2 AWG) strand 1 ... 35 (14-3 AWG) cable	1 ... 25 (14-2 AWG) strand 1 ... 35 (14-3 AWG) cable	1 ... 25 (14-2 AWG) strand 1 ... 35 (14-3 AWG) cable
Tightening torque	Nm	3.5	3.5	3.5	3.5
AC/DC supply		any	any	any	any
Mounting on DIN top hat rail		EN 60715	EN 60715	EN 60715	EN 60715
Protection category		IP20 IP40 (actuating end only)	IP20 IP40 (actuating end only)	IP20 IP40 (actuating end only)	IP20 IP40 (actuating end only)
Permissible operating ambient temperature	°C	-25 ... +60	-25 ... +60	-25 ... +60	-25 ... +60
Storage temperature	°C	-40 ... +70	-40 ... +70	-40 ... +70	-40 ... +70
Vibration resistance		IEC 60068-2-6; EN 61373 Cat.1/Class B	IEC 60068-2-6; EN 61373 Cat.1/Class B	IEC 60068-2-6; EN 61373 Cat.1/Class B	IEC 60068-2-6; EN 61373 Cat.1/Class B

Undervoltage release	GTIN	Order details		Price	Weight	Pack
	761227	EAN	Type code	1	1 piece	unit
			Order code	piece	kg	pc.
24...36 VAC/DC	1208363	S800-UVR36	2CCS800900R0241		0,15	1
48...60 VAC/DC	1208370	S800-UVR60	2CCS800900R0251		0.15	1
110...130 VAC/DC	1208387	S800-UVR130	2CCS800900R0261		0.15	1
220...250 VAC/DC	1208394	S800-UVR250	2CCS800900R0271		0.15	1

Auxiliary elements for S800

S800-SCL



S803S-SCL

Short-circuit current limiter

The S803S used together with an S803S-SCL ensures reliable switch-off of short-circuit currents up to **100 kA**, at an operating voltage of 440V AC and over the entire rated current range of up to 125A.

For applications at 690V AC, the combination of S803S-SCL ensures reliable short-circuit protection up to **50 kA**; here also, this is ensured over the entire rated current range up to 125A, typical for the S800.

Example combinations	Rated operational voltage U_e	Ultimate short-circuit breaking capacity I_{cu}	Service short-circuit breaking capacity I_{cs}
S803S-SCL125 + S803S-C125	440V AC 690V AC	100kA 50kA	100kA 50kA
S803S-SCL63 + S803S-K63	440V AC 690V AC	100kA 50kA	100kA 50kA
S803S-SCL32 + S803S-B16	440V AC 690V AC	100kA 50kA	100kA 50kA

Short-circuit current limiter S803S-SCL

Rated operational current I_e	A	32, 63, 125
Pole		3
Rated operational voltage U_e (AC) 50/60 Hz	V	400/690
Rated insulation voltage U_i	V	690
Rated impulse withstand voltage U_{imp}	kV	8
Rated ultimate short-circuit breaking capacity I_{cu} compliant to IEC 60947-2		
400 VAC	kA	100
440 VAC	kA	100
690 VAC	kA	50
Rated service short-circuit breaking capacity I_{cs} compliant to IEC 60947-2		100% I_{cu}
Rated frequency	Hz	50/60
Mounting position		any
Disconnecter properties compliant to IEC 60947-2		yes
Standard		IEC 60947-2
Connections C_u (32A)	mm ²	1...25 strand 1...35 cable
Connections C_u (63, 125A)	mm ²	6...50 strand 6...70 cable
Tightening torque	Nm	3.5
Feed		any
Mounting on DIN top hat rail		EN 60715
Permissible operating ambient temperature	°C	-25 ... +60
Storage temperature	°C	-40 ... +70
Protection category		IP20 IP40 (actuating end only)
Classification compliant to NF-16-101, NF16-102		I3, F2
Vibration resistance		IEC 60068-2-27; IEC 60068-2; EN 61373 Cat.1/Class B

Rated current I_n [A]	Internal resistance R_i [mΩ]	Power loss P_v [W]
32	1.7	1.7
63	1.0	4.0
125	0.6	9.4

Auxiliary elements for S800

S800-SCL



Short-circuit current limiter with interchangeable cage terminal [A]	GTIN	Order details		Price	Weight	Pack
	7612271	EAN	Type code	Order code	1 piece	1 piece unit
32	1208912	S803S-SCL32	2CCS800900R0291		0.74	1
63	1208929	S803S-SCL63	2CCS800900R0301		0.74	1
125	1208905	S803S-SCL125	2CCS800900R0281		0.74	1



Short-circuit current limiter with interchangeable ring terminal connection [A]	GTIN	Order details		Price	Weight	Pack
	7612271	EAN	Type code	Order code	1 piece	1 piece unit
32	1408916	S803S-SCL32-R	2CCS800900R0332		0.74	1
63	1208950	S803S-SCL63-R	2CCS800900R0331		0.74	1
125	1208936	S803S-SCL125-R	2CCS800900R0311		0.74	1

Auxiliary elements for S800

S800-SCL-SR



S800-SCL-SR

Self-resetting short-circuit limiter

The S800-SCL-SR can be used together with S800S High Performance MCB or Manual Motor Starters. It limits the short-circuit current until the downstream means of protection trips. Its current continuity makes it as the ideal solution for group protection. All parallel branches remain operative.

S800-SCL-SR is available at rated voltages 400/690 Vac and 580/100 Vac acc.to the type.

Self-resetting short-circuit current limiter		S800S-SCL-SR	S803W-SCL-SR
Rated operational current I_e	A	32, 63, 100	
Pole		1, 2, 3	3
Rated operational voltage U_e (AC) according to IEC 60947-2 50/60Hz	V	400/690	690
(AC) according to UL 508 50/60Hz	V		600
Rated insulation voltage U_i	V	690	690
Rated impulse withstand voltage U_{imp}	kV	8	8
Rated ultimate short-circuit breaking capacity			
$I_{cu} = I_{cs}$ according to IEC 60947-2*			
(AC) 50/60Hz 240/415V	kA	100	100
(AC) 50/60Hz 254/440V	kA	100	100
(AC) 50/60Hz 289/500V	kA	65	65
(AC) 50/60Hz 400/690V	kA	50	50
Short-circuit rating according to UL 508*			
(AC) 50/60Hz 480V	kA	65	65
(AC) 50/60Hz 600V	kA	65	65
Rated frequency	Hz	50/60	50/60
Mounting position		any	any
Connections C_u	mm ²	1 ... 50 rigid (solid/ stranded)	1 ... 50 rigid (solid/ stranded)
	mm ²	1 ... 70 flexible	1 ... 70 flexible
	AWG		14–1
Tightening torque	Nm	3.5	3.5
	in. lbs.		31
Feeding		optional	optional
Mouting on DIN top hat rail		EN 60715	EN 60715
Ambient air temperature	°C	-40 ... +70	-40 ... +70
	°C	-40 ... +85	-40 ... +85
Degree of protection		IP20	IP20
Classification acc. to NF F 16-101, NF F 16-102		I3, F2	I3, F2
Damp Heat		IEC 60068-2-30, 55°C / 95% r.h.	IEC 60068-2-30, 55°C / 95% r.h.
Vibration		IEC 60068-2-6, 5–10 Hz / 3 mm and 10–500Hz / 2g at 0.5 x I_e	IEC 60068-2-6, 5–10 Hz / 3 mm and 10–500Hz / 2g at 0.5 x I_e
Random Vibration		IEC 60068-2-64, 5–500Hz / 2g at 0.5 x I_e	IEC 60068-2-64, 5–500Hz / 2g at 0.5 x I_e
Resistance to climatic conditions		IEC 60068-2-1 /-2-2 /-2-30	IEC 60068-2-1 /-2-2 /-2-30
Standard		IEC 60947-2 IEC 60947-4-1	IEC 60947-2 IEC 60947-4-1 UL 508, CSA 22.2 No. 14

* Valid only for approved combinations

Please refer to section B of the catalogue

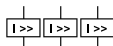
Auxiliary elements for S800

S800-SCL-SR

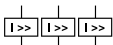
S803HV-SCL-SR in combination with S803HV-K		
General data		
Standard		IEC 60947-2
Poles		3
Rated frequency f	Hz	50/60
Data acc. to IEC 60947-2		
Rated operational voltage U_e	V	AC 580/1000
Rated operational current I_n	A	32, 63, 100
Rated ultimate short-circuit breaking capacity I_{cu}	kA	15
Rated service short-circuit capacity I_{cs}	kA	10
Rated insulation voltage U_i	V	AC 1000
Rated impulse withstand voltage U_{imp}	kV	8
Mechanical data		
Housing		Material group I, RAL 7035
Toggle		black, lockable
Protection degree acc. to IEC / EN 60529		IP20; IP40 (actuating side only)
Classification acc. to NF F16-101, NF F 16-102		I3, F2
Classification acc. to IEC 61373 (shock and vibration)		Cat. 1, Class B
Shock resistance acc. to IEC / EN 60068-2-27		Test Ea: 5g / 30ms
Vibration resistance acc. to IEC / EN 60068-2-6		Test Fc: 2–13.2 Hz / 1 mm 13.2–100 Hz / 0.7 g with load 100% x I_e
Environmental conditions (damp heat) acc. to IEC / EN 60068-2-30		12+12 cycle with 55°C / 90 - 96% RH and 25°C / 95 - 100% RH
Environmental conditions (dry heat) acc. to IEC / EN 60068-2-2		16 hours 55°C / 2 hours 70°C / 55% RH
Ambient temperature	°C	-25 ... +60
Storage temperature	°C	-40 ... +70
Installation		
Terminal		Failsafe cage terminal
Connection (top/bottom) – C_u only	mm ²	1 ... 50 solid / stranded 1 ... 70 flexible
Tightening torque	Nm	3.5
Screwdriver		POZI 2
Mounting		EN 60715
Mounting position		any
Supply side		any
Dimension and weight		
Pole dimension (H x L x W)	mm	142 x 76.5 x 26.5
Pole weight	kg	0.25

Auxiliary elements for S800

S800-SCL-SR



Self-resetting short-circuit limiter IEC version [A]	GTIN	Order details		Price	Weight	Pack
	7612271	EAN	Type code	Order code	1 piece	1 piece unit
32	412012	S801S-SCL32-SR	2CCS801901R0539	0.25	1	1
63	412036	S801S-SCL63-SR	2CCS801901R0599	0.25	1	1
100	411992	S801S-SCL100-SR	2CCS801901R0639	0.25	1	1
32	412074	S802S-SCL32-SR	2CCS802901R0539	0.5	1	1
63	412098	S802S-SCL63-SR	2CCS802901R0599	0.5	1	1
100	412050	S802S-SCL100-SR	2CCS802901R0639	0.5	1	1
32	411930	S803S-SCL32-SR	2CCS803901R0539	0.75	1	1
63	411947	S803S-SCL63-SR	2CCS803901R0599	0.75	1	1
100	411954	S803S-SCL100-SR	2CCS803901R0639	0.75	1	1



Self-resetting short-circuit limiter World version (IEC/UL) [A]	GTIN	Order details		Price	Weight	Pack
	7612271	EAN	Type code	Order code	1 piece	1 piece unit
32	412319	S803W-SCL32-SR	2CCS803917R0539	0.75	1	1
63	412326	S803W-SCL63-SR	2CCS803917R0599	0.75	1	1
100	412302	S803W-SCL100-SR	2CCS803917R0639	0.75	1	1



Self-resetting short-circuit limiter [A]	GTIN	Order details		Price	Weight	Pack
	7612271	EAN	Type code	Order code	1 piece	1 piece unit
32	37008	S803HV-SCL32-SR	2CCF019047R0001	0.75	1	1
63	37107	S803HV-SCL63-SR	2CCF019048R0001	0.75	1	1
100	37114	S803HV-SCL100-SR	2CCF019049R0001	0.75	1	1

Auxiliary elements for S800

S800-RD



S800-RD

Rotary drive

The rotary drive for 2–4 pole devices can be delivered for assembly on the switching field door. Switching is effortless due to the ergonomic design of the swivel lever. It is equipped with a lock for the OFF position that prevents switching on of the S800 high performance MCB.

The slot hole of the lock can accept up to 3 padlocks with lug diameters of 7 mm (not included in delivery). Operation of the trigger and a view of the characteristics are not prevented. Additionally, a rotary drive can also be supplied to switch machines; it has a red grip on a yellow background.

The rotary drive on the switching field door is comprised of the following three components:

- Rotary handle S800-RHE-H, -EM
- Axle (500 mm) S800-RHE-S



Rotary drive adapter for 2- to 4-pole high performance MCB	GTIN	Order details		Price	Weight	Pack
	80156446	Type code	Order code	1	1 piece	unit
	EAN			piece	kg	pc.
Rotary drive	25764	S800-RD	2CCS800900R0041		0.08	1



Anthracite/Standard rotary handle for door assembly	GTIN	Order details		Price	Weight	Pack
	80156446	Type code	Order code	1	1 piece	unit
	EAN			piece	kg	pc.
Anthracite rotary handle	25571	S800-RHE-H	1SDA060150R0001		0.02	1



Red/Emergency rotary handle for door assembly	GTIN	Order details		Price	Weight	Pack
	80156446	Type code	Order code	1	1 piece	unit
	EAN			piece	kg	pc.
Red rotary handle	25771	S800-RHE-EM	1SDA060151R0001		0.02	1



Axle extension Rotary drive-rotary handle 6x6 mm	GTIN	Order details		Price	Weight	Pack
	80156446	Type code	Order code	1	1 piece	unit
	EAN			piece	kg	pc.
Axial extension 500mm	26242	S800-RHE-S	1SDA060179R0001		0.2	1

IP54 kit for door mounting	GTIN	Order details		Price	Weight	Pack
	80156446	Type code	Order code	1	1 piece	unit
	EAN			piece	kg	pc.
IP54 Kit	26259	S800-RHE-IP54	1SDA060180R0001		0.08	1

Auxiliary elements for S800

S800-IP9, S800-PLL, S800U-PLL



S800-IP9

Intermediate piece

The S800-IP9 intermediate piece fits the profile of the high performance MCB and is used to fill in empty device slots. Thanks to its width of just 9mm, the slots of all devices of the S800 range can be expanded using this intermediate piece.

	GTIN 76122712	Order details		Price 1	Weight 1 piece	Pack unit
Intermediate piece 9 mm	EAN	Type code	Order code	piece	kg	pc.
Intermediate piece 9 mm	08202	S800-IP9	2CCS800900R0031		0.01	1



S800-PLL

Padlock device

The S800-PLL padlock device safely prevents unintentional switching on and off. Simply insert the lug of the padlock device through the borehole on the high performance MCB and lock with a padlock with lug diameter Ø 4 mm (not included in delivery). Even when the high performance MCB is secured with a padlock device against unintentional switching off, tripping remains possible in case of overload or short-circuit by the S800-SOR, S800-UVR and DDA800.

	GTIN 76122712	Order details		Price 1	Weight 1 piece	Pack unit
Padlock lever lock with hasp	EAN	Type code	Order code	piece	kg	pc.
Padlock lever lock with hasp 4 mm	08189	S800-PLL	2CCS800900R0051		0.12	10



S800U-PLL

Locking device – for the American market

The S800U-PLL locking device prevents unintentional switch-on or off of the S800U high performance MCB, or switch on/off by third parties. It is mounted at the side of the high performance MCB and can only be removed using a special tool. A standardised American padlock (not included in delivery) is hung onto the round recess on the locking device, which can be secured by max six locks. Of course, tripping is possible by the S800-SOR or S800-UVR in case of overload or short-circuit.

	GTIN 76122712	Order details		Price 1	Weight 1 piece	Pack unit
UL locking device*	EAN	Type code	Order code	piece	kg	pc.
UL locking device	15057	S800U-PLL	2CCS800017R0001		0.02	1

*High performance circuit breaker and lockout tag are not included in delivery

Auxiliary elements for S800

S800-CT, -RT, S800-ILS



S800-CT, -RT

Interchangeable adapter kit

The S800 interchangeable adapter kit allows the cable clamp – ring terminal connections to be exchanged. Ring terminal connection -> Cage Terminal connection

The following is included in the S800-CT replaceable interchangeable adapter kit:

- Cage terminal
- Insulator



Cage Terminal connection -> ring terminal connection

The following is included in the S800-RT replaceable interchangeable adapter kit:

- Nut, insulation nut – cable lug, Allen screw
- Insulator with 25 mm insulation walls

	GTIN	Order details		Price	Weight	Pack
	76122712			1	1 piece	unit
Interchangeable adapter kit	EAN	Type code	Order code	piece	kg	pc.
Cage terminal	12049	S800-CT2125	2CCS800900R0181		0.03	2
Cage terminal	12032	S800-CT4125	2CCS800900R0151		0.06	4
Ring terminal connection	08240	S800-RT2125	2CCS800900R0161		0.03	2
Ring terminal connection	08219	S800-RT4125	2CCS800900R0131		0.06	4

S800-ILS

Identification labelling system

The individual identification labelling system for ILS legend plates is a DIN A5 polyester foil for inkjet and laser printers with high temperature resistance (if a laser printer is used please check whether self-sticking foils with a thickness of 250µm can be printed with it). The 3M™9471 LE adhesive backing is UL-approved with Appl. No. MH 11410. The single plates are butt-cut on one side. Can be manually labelled with ink, pen, pencil and felt pen.

	GTIN	Order details		Price	Weight	Pack
	761227			1	1 piece	unit
S800-ILS	EAN	Type code	Order code	piece	kg	pc.
Identification labeling system 168 x 6 x 11.5mm	08271	S800-ILS	2CCS800900R0121		0.01	1

Auxiliary elements for S800

S802-LINK



S802-LINK50

Pole connector up to 50 A

The pole connector S802-LINK50 can be used up to 50 A.



S802-LINK125

Pole connector up to 125 A

The pole connector S802-LINK125 can be used up to 125 A.

Pole connector S802-LINK125

Rated insulation voltage U_i	V	DC 1200
Protection category	Nm	3.5
Tightening torque	in. lbs.	31

Combination S800PV-SP with S802-LINK50 / -LINK125 (devices mounted separately)

I_c [A]	10°C	15°C	20°C	25°C	30°C	35°	40°C	45°C	50°C	55°C	60°C
10	11.6	11.4	11.2	11.0	10.7	10.4	10.0	9.6	9.3	9.0	8.7
13	15.1	14.9	14.6	14.3	13.9	13.5	13.0	12.5	12.1	11.7	11.3
16	18.6	18.2	17.9	16.6	17.1	16.6	16.0	15.4	14.9	14.4	13.9
20	23.2	22.8	22.4	22.0	21.4	20.8	20.0	19.2	18.6	18.0	17.4
25	29.0	28.5	28.0	27.5	26.8	26.0	25.0	24.0	23.3	22.5	21.8
32	37.1	36.5	35.8	35.2	34.2	33.3	32.0	30.7	29.8	28.8	27.8
40	46.5	45.6	44.8	44.0	42.8	41.6	40.0	38.4	37.2	36.0	34.8
50	58.1	57.0	56.0	55.0	53.5	52.0	50.0	48.0	46.5	44.6	42.9
63	69.9	68.8	67.6	66.5	65.3	64.2	63.0	60.5	58.1	55.7	53.5
80	88.8	87.3	86.0	84.4	82.9	81.5	80.0	76.8	73.7	70.8	67.9
100	111.0	109.2	107.3	105.6	103.7	101.8	100.0	96.0	92.2	88.5	84.9
125	138.8	136.5	134.2	131.9	129.6	127.3	125.0	116.3	108.1	100.5	93.5

These values are valid for the combination with S802-LINK50

Combination S800PV-SD with S802-LINK50 / -LINK125 (devices mounted separately)

I_c [A]	10°C	15°C	20°C	25°C	30°C	35°C	40°C	45°C	50°C	55°C	60°C
32	32	32	32	32	32	32	32	32	32	32	32
63	63	63	63	63	63	63	63	63	63	63	63
125	125	125	125	125	125	125	110	110	100	100	100

The tables are based on measurements using cable as stated in IEC 60947-2. Any derivation from these cable diameters and lengths might lead to higher temperatures.

Therefore ABB recommends to perform temperature measurements to verify the real maximum temperature in the application.

Pole connector	GTIN	Order details		Price	Weight	Pack
	7612271	Type code	Order code	1	1 piece	unit
	EAN			piece	kg	pc.
Pole connector 50 A	211295	S802-LINK50	2CCS800900R0411		0.03	10
Pole connector 125 A	419103	S802-LINK125	2CCS800900R0562		0.15	2

Auxiliary elements for S800

S800 Busbar system



S800 Busbar system

The S800 busbar system is comprised of:

S804-BBPC120	120 mm ² feed block, 4-pole
S804-BB250	250 A busbar, 4-pole and neutral with 24 contacts pins
S804-BB6	250 A busbar, 4-pole with 6 contacts pins
S803-BB250	250 A busbar, 3-pole with 24 terminal lugs and 2 end caps
S803-BBPC120	120 mm ² feed block, 3-pole
S800-BBIC	Optional contact-protection cap for exposed terminal lugs
S800-END	Optional end cap

The busbar, which can be shortened in length by the user, ensures the safe and rational connection of the S800 high performance MCB. A cable cross-section of up to 120 mm² can be connected at the feed block.

Busbar S803-BB250/S804-BB250

Max. rated current I_n		
Side feed	A	125
Middle feed	A	250
Conditional rated short-circuit current	kA eff	100 with T_{max} connected upstream
Poles		3/4
Rated operational voltage U_e		
(AC) 50/60 Hz	V	400/690
Rated insulation voltage U_i	V	690
Rated impulse withstand voltage U_{imp}	kV	8
Rated frequency	Hz	50
Standard		EN/IEC 60439-2
Material of rails		E-C _u 58 half-standard, rolled F25
Material of insulation profile		Material group I; UL94 V-0
Material of end caps		Material group I; UL94 V-0 Free of halogen and phosphate
Busbar cross sections	mm ²	60
Overvoltage category		III
Pollution degree		2

Feed block S803-BBPC120/S804-BBPC120

Max. rated current I_n	A	250
Poles		3/4
Rated operational voltage U_e	V	400/690
Rated frequency	Hz	50
Standard		EN/IEC 60439-2
Material of terminals		Material group I
Housing material		Material group I; UL94 V-0, Free of halogen and phosphate
Tightening torque		-
on feed side	Nm	19
on busbar side	Nm	3
Connection cross-section	mm ²	1.6...120
Pollution degree		2

Auxiliary elements for S800

S800 Busbar system



	GTIN 76122712	Order details		Price 1	Weight 1 piece	Pack unit
Busbar	EAN	Type code	Order code	piece	kg	pc.
Busbar 250A with 24 contacts pins, 3P	08288	S803-BB250	2CCS800900R0071		1.05	1

	GTIN 76122714	Order details		Price 1	Weight 1 piece	Pack unit
Busbar	EAN	Type code	Order code	piece	kg	pc.
Busbar 250 A with 24 contacts pins, 3P+N	41807	S804-BB250	2CCF019568R0001		2	1
Busbar 250 A with 6 contacts pins, 3P	41302	S803-BB6	2CCF019562R0001		0.375	1



	GTIN 76122712	Order details		Price 1	Weight 1 piece	Pack unit
Feed block	EAN	Type code	Order code	piece	kg	pc.
Feed block 4p 120mm ²	41814	S804-BBPC120	2CCF019569R0001		0.58	1
Feed block 3P 120mm ²	08301	S803-BBPC120	2CCS800900R0101		0.46	1



	GTIN 76122712	Order details		Price 1	Weight 1 piece	Pack unit
Contact-protection cover	EAN	Type code	Order code	piece	kg	pc.
Contact-protection cover	08967	S800-BBIC	2CCS800900R0081		0.02	12

	GTIN 76122712	Order details		Price 1	Weight 1 piece	Pack unit
End cap	EAN	Type code	Order code	piece	kg	pc.
End cap	08295	S800-END	2CCS800900R0091		0.04	10

Auxiliary elements for S800

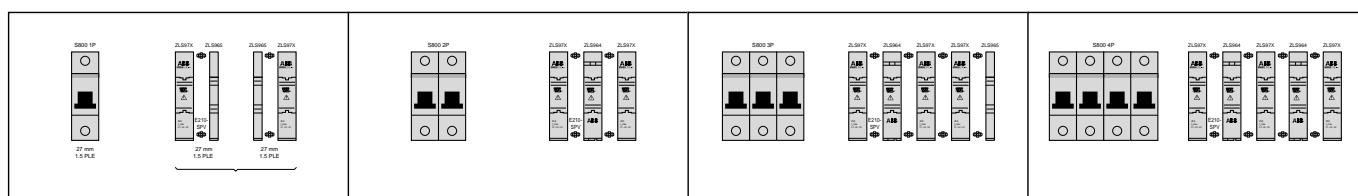
27mm wide universal adapter S800



27mm wide universal adapter to mount S800 MCB on SMISSLINE TP system

The universal adapter with the new 9mm dummy housing is specially designed for the High performance breaker S800. This allows to have a 27mm adapter on the SMISSLINE TP busbar system. The S800 High performance MCB can be easily mounted and wired on the universal adapter. The complete unit can be clicked on to the plug-in socket system quickly and safely. The input wiring is then already finished.

- Max. Incoming 400A (T5/XT5) rated conditional short-circuit current I_{cc} 40kA (415V) with S800S
- Time-saving mounting of S800 MCB units up to 30% faster than conventional DIN rail mounting
- Input wiring is already integrated in the SMISSLINE plug-in socket system



	GTIN	Order details		Price	Weight	Pack
	761227	EAN	Type code	1	1 piece	unit
Smisline adapter for S800 (up to 50 A)				piece	kg	pc.
L1 or L2 or L3 wire bottom	1444716	ZLS973	2CCA180556R0001		0.024	10
L1 or L2 or L3 wire bottom	1444716	ZLS973	2CCA180556R0001		0.024	10
N wire top	1444723	ZLS972N	2CCA180557R0001		0.024	10
N wire bottom	1444730	ZLS973N	2CCA180558R0001		0.024	10
Dummy housing						
9mm dummy housing	1501440	ZLS965	2CCA180545R1001			5
18mm dummy housing	1444556		2CCA180550R0001		0.011	10
Connection piece (2 connectors are needed to connect)	1414801	E210-SPV	2CCC703715R0001		0.050	30

Auxiliary elements for S800

27mm wide universal adapter S800



Unifix H

The Unifix H System with feed module up to 400 A provides the user a high standardised design of energy distribution. The wide range of assembly and adapter combinations which are also available for the S800 range increase flexibility allowing for compact and cost-effective design of the electrical distribution network. See dedicated System pro E power offering

The following adapters are available for the S800 range:

- ED2557 L1 ≤ 32 A
- ED2558 L2 ≤ 32 A
- ED2559 L3 ≤ 32 A
- ED2560 N ≤ 32 A
- ED2551 L1 125 A
- ED2552 L2 125 A
- ED2553 L3 125 A
- ED2554 N 125 A
- ED2550 filler

Plug-in systems

UNIFIX rapid wiring system

UNIFIX – Rapid Wiring System

UNIFIX makes bench pre-cabling possible, with installation in the switchboard only carried out at a later time, without any limit to the types or combination of apparatus you may need to install...and this becomes even easier, thanks to the rigid coupled connectors, standardized for the different types of apparatus.

Unifix H allows modular and moulded-case circuit-breakers up to 250A to be mounted on an apparatus frame, which can be connected directly to the rear busbar system. This means many fewer conductors circulating inside the switchboard with considerable advantages in terms of space

taken up, connections needed to be checked, and cabling times, with consequent cost savings. Unifix L means traditional wire cabling on the supply side of the circuit-breakers can be replaced. It is thanks to the characteristics of its connections that cabling can be done rapidly and without any possibility of error, obtaining a more essential switchboard without conductors and cabling ducts around. Flexibility is its strong point: several independent circuits can be realized on the same DIN rail, and circuit-breakers of different types, with different polarity and characteristics can be mounted.

Customer Benefits with UNIFIX

Wiring Time

The use of Unifix reduces considerably wiring time.

Use of Standard Devices

Unifix can be applied to all standard versions of ABB Sace modular devices, Tmax T1 - T2 - T3 - XT1 - XT3 moulded-case circuit breakers

Flexible

Unifix has variable modular capacity, it is possible to place both circuit-breakers with different polarities side by side on the same line and auxiliary elements.

Reduce Space

Space taken up by Unifix is extremely low

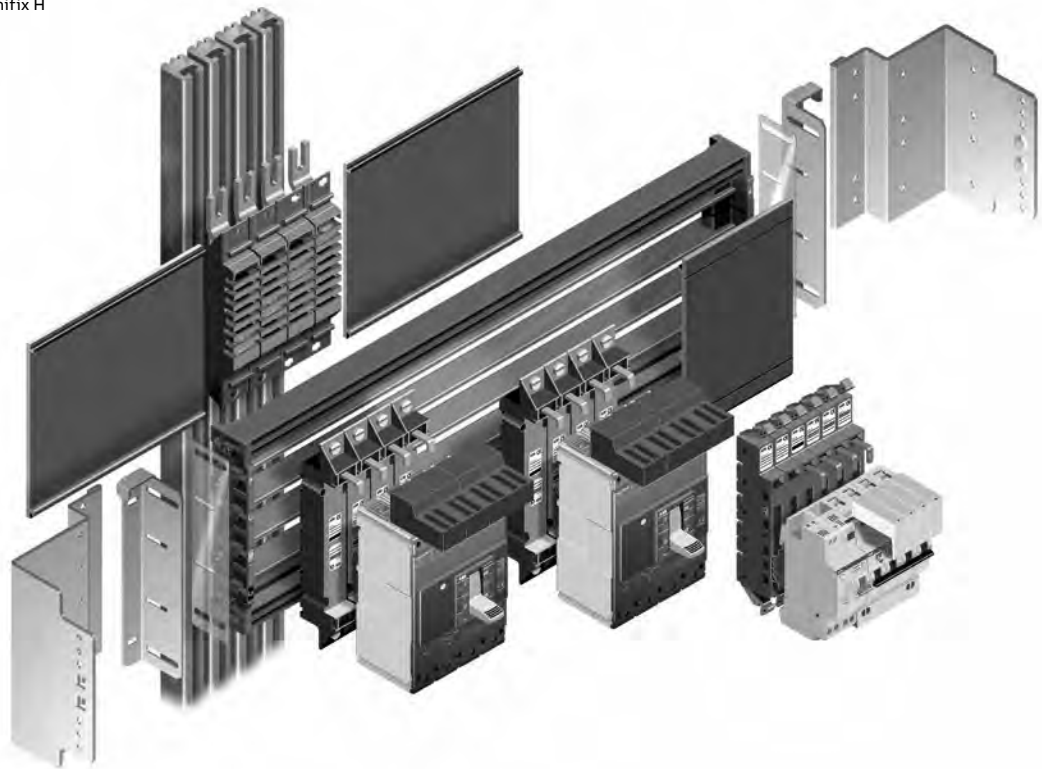
For order codes and technical details please check the Distribution Switchgear Catalogue 1STC008001D0203, pages 3/19-20, 4/18-19-20, 5/50-51-52



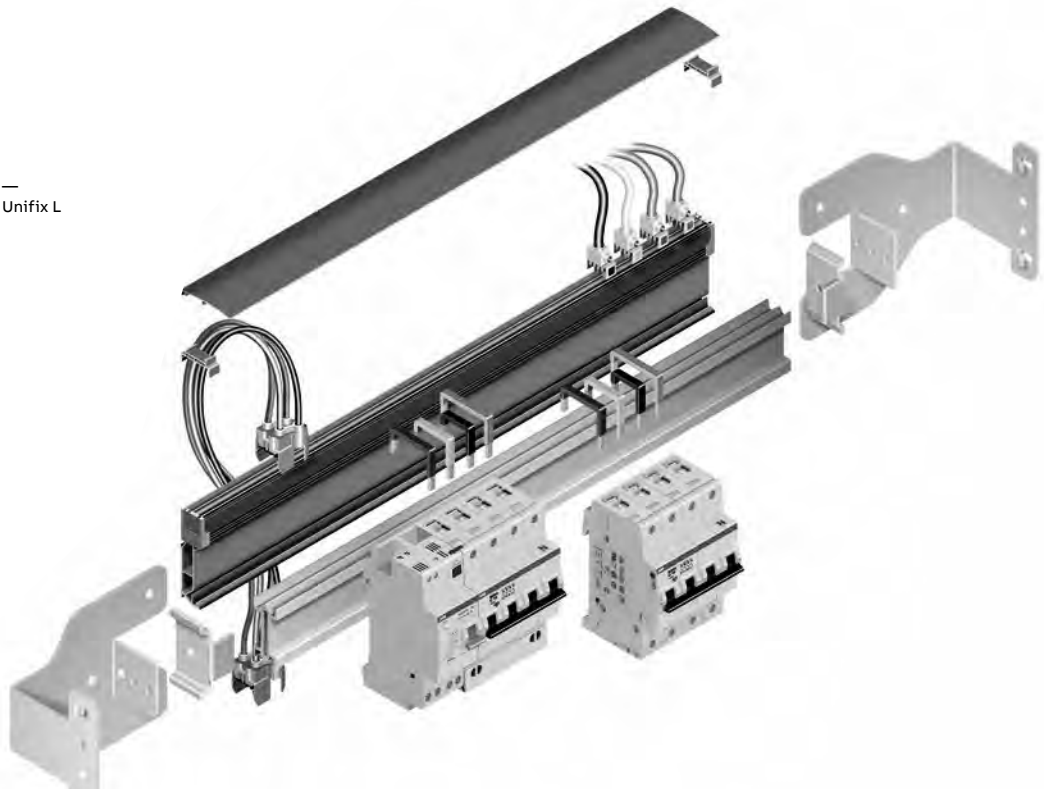
Plug-in systems

UNIFIX rapid wiring system

Unifix H



Unifix L



Accessories for MCBs and RCDs

Auxiliary switch S700 + H2WR

Auxiliary switch S700 + H2WR	
2 Switch-over contacts	
Conv. thermal current I _{th}	10 A
Min. operating voltage	24 V AC/DC
Min. switching power	5 VA ①
Short-circuit withstand capability	1000 A @ 230 V AC with S 200 K6 back-up
Isolation coordination	
– overvoltage category	III
– pollution degree	2
– surge withstand capability	4 kV (1.2/50 μs)
Wiring	up to 2 x 1.5 mm ²
Contact reliability under	5 g, 20 cycles 5...150...5 Hz @ 24 V AC/DC, 5 mA -> contact

① The min. operating current under operating conditions acc. to EN 60204-1 and EN 60439-1 (indoor installation): 24 V AC/DC, 5 mA (AC 12, DC 12)

AC 14	U _e	400 V	230V
	I _e	2 A	6 A
DC 12	U _e	220 V	110 V
	I _e	1 A	1.5 A
DC 13	U _e	60 V	24 V
	I _e	2 A	4 A

Elérhetőségeink

ABB Kft.

Energetikai Termékek Üzletág

E-mail: kisfeszultseg@hu.abb.com

Cím: 1139 Budapest, Váci út 99.

new.abb.com/low-voltage/HU

A kiadványban szereplő képek csak illusztrációk. A termékek folyamatos fejlesztése miatt a dokumentum tartalmának előzetes értesítés nélküli megváltoztatásának jogát fenntartjuk. Az ABB Kft. semmilyen felelősséget nem vállal jelen dokumentumban esetleg előforduló nyomdai hibákért, illetve hiányos információkért.

Copyright 2016 ABB. Minden jog fenntartva.

