

# VE LED

## Hazardous location exit sign



### Key features and benefits

#### Construction

- Fully gasketed housing frame
- Faceplate: heavy-duty, vandal-resistant polycarbonate
- Backplate: heavy-duty aluminum
- Stainless steel tamper-proof screws
- 6 inch EXIT lettering legend, available in red or green
- Field-selectable chevrons

#### Mounting

- Surface mount
- Junction box included for wall, end or ceiling mount applications
- 1/2 inch conduit knock-out entry on top and sides.

#### Electronics

- Magnetic test switch
- Standard Advanced Diagnostics (non-audible)
- Optional Nexus® monitoring system
- 120/277 60Hz

#### Approvals

- CSA-US (To UL 924 standards)
- Evaluated to the UL 844 Standard for Class I Division 2, Groups A, B, and D
- NEC, OSHA and NEMA compliant for above Classes and Groups
- Damp and wet location 10 to 40°C (50 to 104°F)
- Meets NFPA101 (Life Safety Code), NFPA 70-NEC and OSHA illumination standards

#### Warranty

- Five-year limited warranty

### CLASSIFICATION

CLASS I

Division 2

Groups A, B, C, D

Contact your ABB sales representative to verify classification

### CERTIFICATIONS

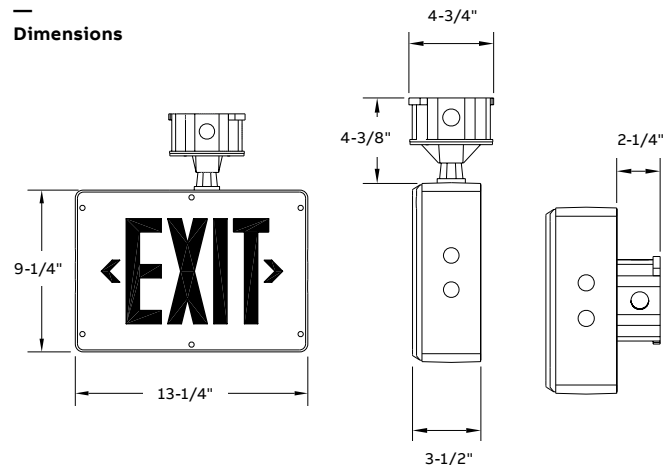


### FEATURES



nexus®

### Dimensions



### Lighting fixture

Part	Part number	Description
1 Series	VE	AC/DC (50° to 104°F Amb)
	VEN	Self-powered (Ni-Cd) (50° to 104°F)
2 Face(s)	1	Single (ceiling/wall mount)
	2	Double (ceiling mount only)
3 Voltage	03	120/277V 60 Hz
4 Color of body/face	GG	Gray <sup>1</sup>
5 Legend	R	Red
	G	Green
6 Diagnostic	Blank	Advanced Diagnostics (non-audible)
	NEX	Nexus® wired
	NEXRF	Nexus® wireless
7 Options	CW	Cold weather (-4° to 104°F Amb) <sup>2</sup>

<sup>1</sup>Other colors available

<sup>2</sup>Available with VEN only