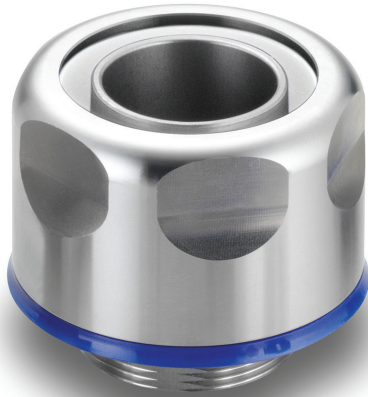


# Type SAM

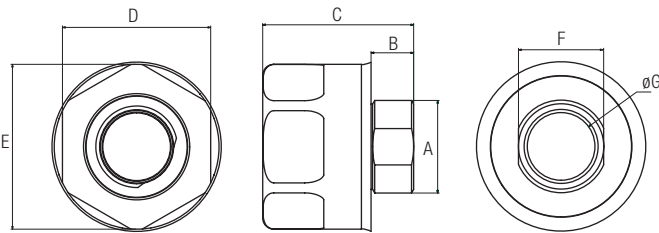
## Single piece, Stainless Steel liquid tight fitting



Single piece, liquid tight, high temperature Stainless Steel fitting suitable for indoor splash zone areas or food processing equipment

**Features**

- Unique single piece design
- 316 Stainless Steel
- Face seal materials adhere to FDA (Food and Drug Administration) and European Food Contact regulations
- IP67, IP68 & IP69 protection
- Approvals CE, BS EN 61386-1,-23, NSF14159-1-2014, NSF169-2009, UL514b
- Multiple thread type Metric/NPT



**Approvals**



IP Rating	Appropriate Fitting
For use with: Type SAMHL & SSAMHL conduit	
IP40	Yes
IP65	Yes
IP68	Yes (10 bar 30mins)
IP69	Yes

**Conformity**

Low voltage directive  
 UL514b  
 NSF14159-1-2014  
 NSF169-2009  
 BSI Kitemark KM35161

**Material**

Face seal materials adhere to FDA (Food and Drug Administration) and European Food Contact regulations  
 Stainless steel

**Temperature Range**

Static Applications: -50°C to +130°C  
 Moving Applications: -5°C to +150°C

**Degree of Mechanical Protection**

Very high corrosion resistance  
 Very high chemical resistance  
 Very high fatigue life

METRIC Part no:	To fit conduit size		Nominal Dimensions							Weight (g)	GID Code
	Metric (mm)	US (NPT)	B	C	D	E	F	G			
SPL16/M16/SAM	16	3/8"	7.0	32.8	30.0	31.9	14.0	10.5	9.98	7TCA296120R0043	
SPL20/M20/SAM	20	1/2"	10.0	35.6	32.0	35.0	18.0	14.5	11.34	7TCA296120R0044	
SPL25/M25/SAM	25	3/4"	14.0	43.0	38.0	41.0	23.0	18.3	16.78	7TCA296120R0045	
SPL32/M32/SAM	32	1"	15.0	51.5	45.0	49.0	30.0	24.1	29.94	7TCA296120R0046	
SPL40/M40/SAM	40	1 1/4"	16.0	53.3	57.0	61.5	38.0	32.7	39.92	7TCA296120R0047	
SPL50/M50/SAM	50	1 1/2"	18.0	60.2	64.0	69.0	48.0	37.7	45.36	7TCA296120R0048	
SPL63/M63/SAM	63	2"	20.0	71.4	80.0	87.0	61.0	49.0	52.16	7TCA296120R0049	

NPT Part no:	To fit conduit size		Nominal Dimensions							Weight (g)	GID Code
	US (NPT)	Metric (mm)	B	C	D	E	F	G			
SPL20/050/SAM	1/2"	20	16.0	43.2	32.0	35.0	18.0	14.5	11.34	7TCA296120R0054	
SPL25/075/SAM	3/4"	25	16.0	46.3	38.0	41.0	23.0	18.3	16.78	7TCA296120R0055	
SPL32/100/SAM	1"	32	21.0	57.9	45.0	49.0	30.0	24.1	29.94	7TCA296120R0056	
SPL40/125/SAM	1 1/4"	40	21.0	60.4	57.0	61.5	38.0	32.7	39.92	7TCA296120R0057	
SPL50/150/SAM	1 1/2"	50	21.0	64.7	64.0	69.0	48.0	37.7	45.36	7TCA296120R0058	
SPL63/200/SAM	2"	63	21.0	74.1	80.0	87.0	61.0	49.0	52.16	7TCA296120R0059	

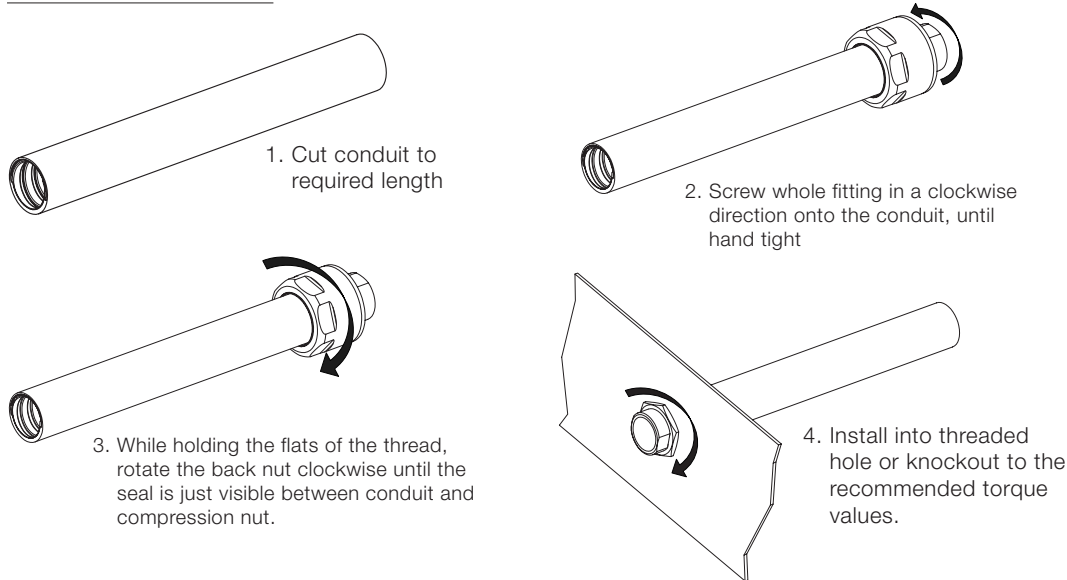


# Type SAM

## Single piece, Stainless Steel liquid tight fitting



Installation Instructions



Size	Torque (N.m)
Metric / NPT	
M16 / 3/8"	20
M20 / 1/2"	25
M25 / 3/4"	30
M32 / 1"	35
M40 / 1 1/4"	35
M50 / 1 1/2"	40
M63 / 2"	40

General guidelines actual installation may vary

Tools required: 1 x hacksaw, 2 x adjustable spanners, appropriate PPE Equipment e.g. gloves, glasses

**NOTE:** Parts are maintenance free, face seal can be replaced if damaged. Parts are fully cleanable and will maintain full ingress protection under normal wet cleaning conditions

Chemical Resistance Chart

Astm No.1	Diesel oil	Methyl Bromide	Sulphur Dioxide (Gas)
Astm No.2	Diethylamine	MEK	Sulphuric Acid (10%)
Astm No.3	Ethanol	Nitric Acid (10%)	Sulphuric Acid (70%)
Acetic Acid (10%)	Ether	Nitric Acid (70%)	Toluene
Acetone	Ethylamine	Oxalic Acid	Transformer Oil
Aluminium Chloride	Ethylene Glycol	Ozone (Gas)	1,1,1-Trichloroethane
Aniline	Ethyl Ethanoate	Paraffin oil	Trichloroethylene
Benzaldehyde	Freon 32	Petrol	Turpentine
Benzene	Hydrochloric Acid (10%)	Phenol	Vegetable Oil
Carbon tetrachloride	Hydrochloric Acid (36%)	Sea Water	Vinyl Acetate
Chlorine water	Hydrogen Peroxide (35%)	Silver Nitrate	Water
Chloroform	Hydrogen Peroxide (87%)	Skydrol	White Spirit
Citric Acid	Lactic Acid	Sodium Chloride	Zinc Chloride
Copper Sulphate	Lubricating oil	Sodium Hydroxide (10%)	
Cresol	Methanol	Sodium Hydroxide (60%)	

Key:

Green	Suitable
Yellow	Limited Suitability
Red	Unsuitable
Black	Not Tested

The information above is given as a guide only and is based on published technical data and experience. The chemical resistance of the above products is dependent on factors such as chemical exposure, concentration of the chemical and temperature. The above chemicals are valid for a temperature of 23°C. Use of the above table is at the users own discretion and risk. Those using it must satisfy themselves that their application presents no health and safety risks. The end user should assess compatibility with their application and contact ABB for further information.

ADHERENCE TO THE CURRENT WIRING REGULATIONS BS7671 OR NEC WIRING REGULATIONS (FOR USA) IS STRONGLY ADVISED. The Company's policy is one of continuous improvement and reserves the right to change specifications at any time without prior notice.