

# Non-Metallic Systems

## Korifit Type KC/A



### Technical Characteristics

Conforms to	BSI Kitemark KM-35161 Low voltage directive		
Approvals and Standards	 		
Degree of mechanical protection	High Impact Resistance		
Degree of protection	IP40 - As standard		
UV protection	High		
Fitting Characteristics		Straight fitting - Swivel external male thread Black (BL), Grey (GR), White (W)	
Application	For insertion into threaded entries or knockouts using a locknut to secure (Locknuts Supplied with METRIC Threads Only)		
Normal operating temperature range	Application	Min Temp	Max Temp
	Static	- 5°C	+60°C
	Dynamic	- 5°C	+60 °C
For use with - Conduit Series	<a href="#">Korifit</a> type <a href="#">KFL</a> lightweight, <a href="#">KFS</a> standard weight & <a href="#">KFM</a> medium weight		
Fire performance	<b>Test Standard</b>	<b>Performance Rating</b>	
	Not Rated	Not Rated	
Testing data	Click or See page <a href="#">3</a>		
Type of material	Polyamide (Nylon) 66 - Body - POM swivel ring		
Image			

The Company's policy is one of continuous improvement and reserves the right to change specifications at any time without prior notice.

# Non-Metallic Systems

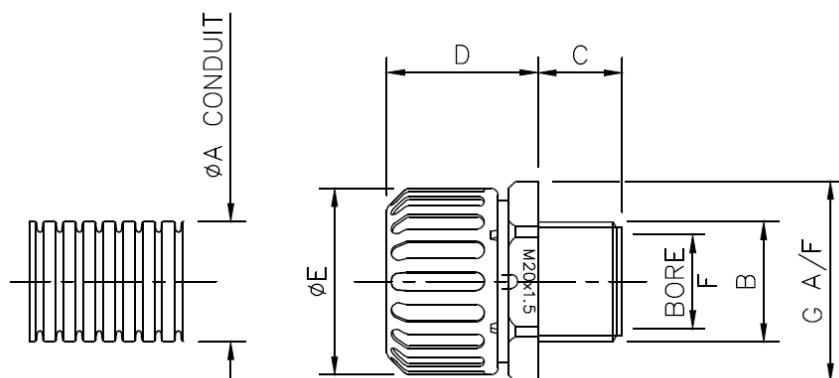
## Korifit Type KC/A



### Dimensional & Thread Data

Part No Black Body Metric Threads	Part No Grey Body Metric Threads	Part No White Body Metric Threads	Nominal Conduit A	Thread B	Nominal Dimensions (mm)				
					C	D	E	F	G
KC16/M16/A/BL	KC16/M16/A/G	KC16/M16/A/W	16	M16x1.5	11.5	22.5	26.0	10.7	26.7
KC16/M20/A/BL	KC16/M20/A/G	KC16/M20/A/W	16	M20x1.5	14.0	22.5	26.0	15.0	26.7
KC20/M20/A/BL	KC21/M20/A/G	KC21/M20/A/W	20	M20x1.5	14.0	25.2	31.0	15.0	29.7
KC25/M25/A/BL	KC28/M25/A/G	KC28/M25/A/W	25	M20x1.5	15.2	27.8	39.0	19.0	37.7

Metric	Standard thread conforming to EN60423 & BS3643		
Thread Size	Ext Thread Outside Diameter	Int Thread Inside Diameter	Pitch
M12	12mm	10.9mm	1.5mm
M16	16mm	14.4mm	1.5mm
M20	20mm	18.4mm	1.5mm
M25	25mm	23.4mm	1.5mm
M32	32mm	30.4mm	1.5mm
M40	40mm	38.4mm	1.5mm
M50	50mm	48.4mm	1.5mm
M63	63mm	61.4mm	1.5mm



NOTE: Dimensions are nominal

The Company's policy is one of continuous improvement and reserves the right to change specifications at any time without prior notice.

# Non-Metallic Systems

## Korifit Type KC/A



### BS EN 61386 Classification

	Fitting	Compression	Impact	Min temp	Max temp	bending	electrical	IP solids	IP water	Corrosion	Tensile	Non-flame Propogating	Suspended load
	AL	N/A	2	2	1	N/A	2	4	0	0	1	1	0

### Mechanical Properties

Test Type	Methods / Standards	Requirements	Value
Tensile Strength	IEC61386-1	2 mins at Specified Value ( <i>KF Conduit</i> )	Class 1
Tensile Strength		Ultimate Pullout ( <i>KF Conduit</i> )	220N
Impact Strength @ -5°C	IEC61386-1	No visible damage	Class 2

Tensile Tests to IEC 61386 gives the minimum classification value only. Actual values will depend on the type and size of the fittings used and will always be greater than the minimum – Impact strength is the minimum classification value at the minimum temperature – actual values will depend on size and temperature. Specific values available on request.

### Thermal Properties

Test Type	Methods / Standards	Requirements	Value
Static Short Term Temp		Temporary Use (3000hrs)	-5°C to +60°C
Static Long Term Temp		Permanent Use (30,000) Hours	-5°C to +60°C

### Chemical Resistance Chart

Key:	Green	Yellow	Red	Black
Suitable :	● Astm No.1	● Diesel oil	● Methyl Bromide	● Sulphur Dioxide (Gas)
Limited Suitability :	● Astm No.2	● Diethylamine	● MEK	● Sulphuric Acid (10%)
Unsuitable :	● Astm No.3	● Ethanol	● Nitric Acid (10%)	● Sulphuric Acid (70%)
Not Tested :	● Acetic Acid (10%)	● Ether	● Nitric Acid (70%)	● Toluene
	● Acetone	● Ethylamine	● Oxalic Acid	● Transformer Oil
	● Aluminium Chloride	● Ethylene Glycol	● Ozone (Gas)	● 1,1,1-Trichloroethane
	● Aniline	● Ethyl Ethanoate	● Paraffin oil	● Trichloroethylene
	● Benzaldehyde	● Freon 32	● Petrol	● Turpentine
	● Benzene	● Hydrochloric Acid (10%)	● Phenol	● Vegetable Oil
	● Carbon tetrachloride	● Hydrochloric Acid (36%)	● Sea Water	● Vinyl Acetate
	● Chlorine water	● Hydrogen Peroxide (35%)	● Silver Nitrate	● Water
	● Chloroform	● Hydrogen Peroxide (87%)	● Skydrol	● White Spirit
	● Citric Acid	● Lactic Acid	● Sodium Chloride	● Zinc Chloride
	● Copper Sulphate	● Lubricating oil	● Sodium Hydroxide (10%)	
	● Cresol	● Methanol	● Sodium Hydroxide (60%)	

The information above is given as a guide only and is based on published technical data and experience. The chemical resistance of the above products is dependant on factors such as chemical exposure, concentration of the chemical and temperature. The above chemicals are valid for a temperature of 23°C. Use of the above table is at the users own discretion and risk. Those using it must satisfy themselves that their application presents no health and safety risks. The end user should assess compatibility with their application and contact Thomas & Betts for further information.

ADHERENCE TO THE CURRENT WIRING REGULATIONS BS7671 OR NEC WIRING REGULATIONS (FOR USA) IS STRONGLY ADVISED.

MINIMUM BEND RADIUS FOR FLEXING IS DEPENDANT UPON MINIMUM TEMPERATURE, BENDING FREQUENCY AND CHEMICAL ENVIRONMENT.

The Company's policy is one of continuous improvement and reserves the right to change specifications at any time without prior notice.