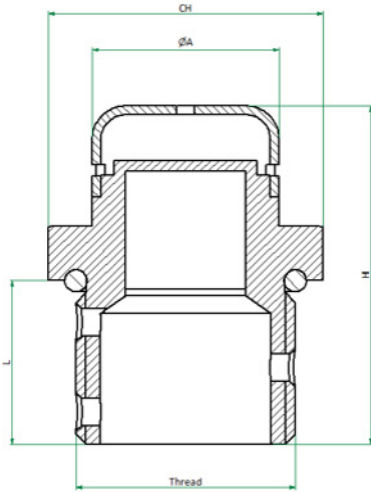


# Drain Valves

## Ex e Drainage Device



### Material

- Nickel Plated Brass
- Stainless Steel

### Features

- Allows Water/Condensation to drain from an enclosure
- Suitable for use in Zones 1, 2, 21 and 22
- Ex eb Ex tb Approved

### Approvals



### Certification & Standards

Approved to:	EX/IEC 60079-0, 60079-7, 60079-31
Type Examination	IMQ 15 ATEX 012U, IECEx IMQ 15.0003U
Certificates:	<ul style="list-style-type: none"> <li>Ex II 2 GD</li> <li>Ex e IIC Gb</li> <li>Ex tb IIC Db</li> </ul>
Temperature:	<b>Certified -60°C to +200°C</b>

Compatible with: / Colour:

Part No.	Dimensions		H (Min)	ØA	CH	GID Codes
	Thread	Length				
EXN/M20/DV	M20	15mm	31.0	17.0	25.0	7TCA297180R0828
EXN/M25/DV	M25	15mm	31.0	17.0	32.0	7TCA297180R0829
EXN/050/DV	1/2" NPT	16mm	32.0	17.0	25.0	7TCA297180R1015
EXN/075/DV	3/4" NPT	16mm	32.0	17.0	32.0	7TCA297180R1016
EXS/M20/DV	M20	15mm	31.0	17.0	25.0	7TCA297180R0830
EXS/M25/DV	M25	15mm	31.0	17.0	32.0	7TCA297180R0831
EXS/050/DV	1/2" NPT	16mm	32.0	17.0	25.0	7TCA297180R1017
EXS/075/DV	3/4" NPT	16mm	32.0	17.0	32.0	7TCA297180R1018

\*EXN - Nickel Plated Brass, EXS - Stainless Steel

