

# Interfaces

## BOSCH Compact Connector Interface



### Technical Characteristics

Conforms to	CE Mark to the low voltage directive RoHS Compliant to 2011/65/EU Conforms with end of life vehicle directive (ELV) EU200/53/EC	
Approvals and Standards		
Degree of mechanical protection	Medium	
Degree of protection	IP40 - Hinged Connector Interface fittings	
UV protection	High	
Finish	Black	
Application	Single junction straight and 90° elbow fittings providing high integrity connections between BOSCH Compact connectors and Harnessflex conduit systems. In addition, 90° elbow versions allow the conduit to swivel 360° around the connector housing, sufficient to avoid the problems associated with one-piece interfaces of overflexing due to movement or vibration.	
Normal operating temperature range	Minimum Temperature	Maximum Temperature
	- 40°C	+120°C
For use with - Conduit range	For use with all Conduits in the <a href="#">Harnessflex</a> range	
Fire Performance	Self Extinguishing Low smoke toxicity & Halogen Free	
Chemical resistance & Storage data	Click or See page <a href="#">4</a>	
Type of material	Polyamide (Nylon) - Low Smoke and Halogen Free	

Image



# Interfaces

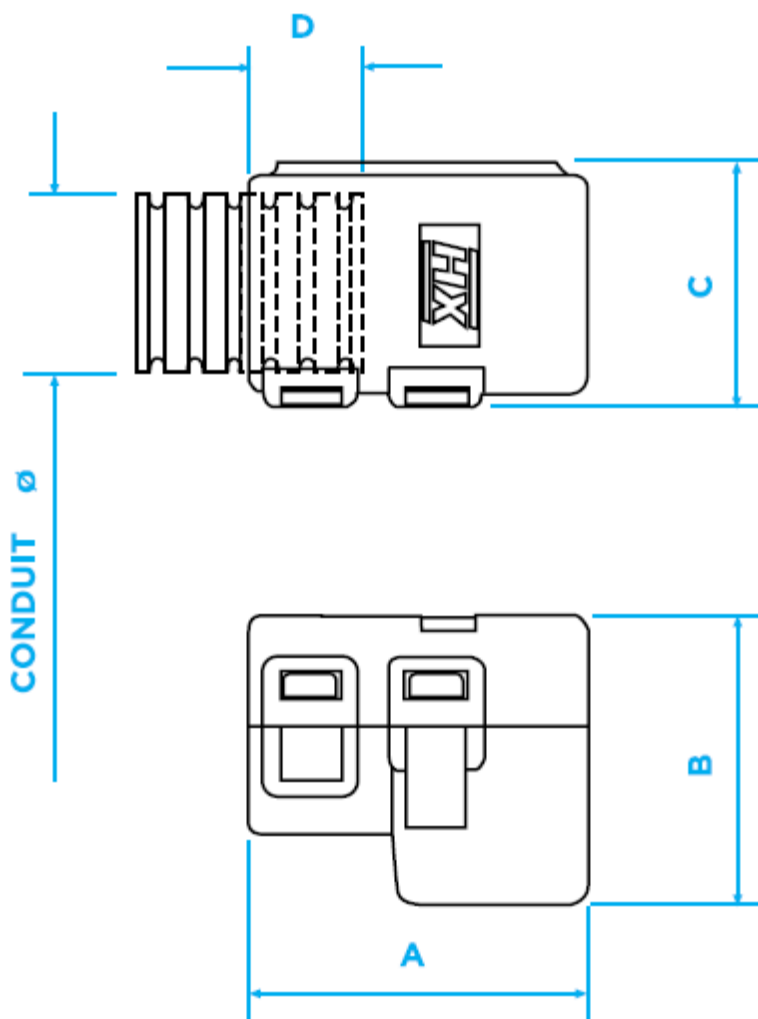
## BOSCH Compact Connector Interface



### Dimensional Data & Part Number Configuration

Part No.	A	B	C	D	Conduit Size (NC)	Conduit Size (NW)	BOSCH - Reference
CI08-BC2	25.0	21.3	18	10	08	7.5	Compact 2-way
CI08-BC3	25.0	26.7	18	10	08	7.5	Compact 3-way
CI08-BC4	25.0	29.0	18	10	08	7.5	Compact 4-way
CI12-BC2	25.0	21.3	18	10	12	10	Compact 2-way
CI12-BC3	25.0	26.7	18	10	12	10	Compact 3-way
CI12-BC4	25.0	29.0	18	10	12	10	Compact 4-way
CI28-BC40	44.4	40	-	-	28	23	Compact 40-way

Note : Dimensions are in mm



# Interfaces

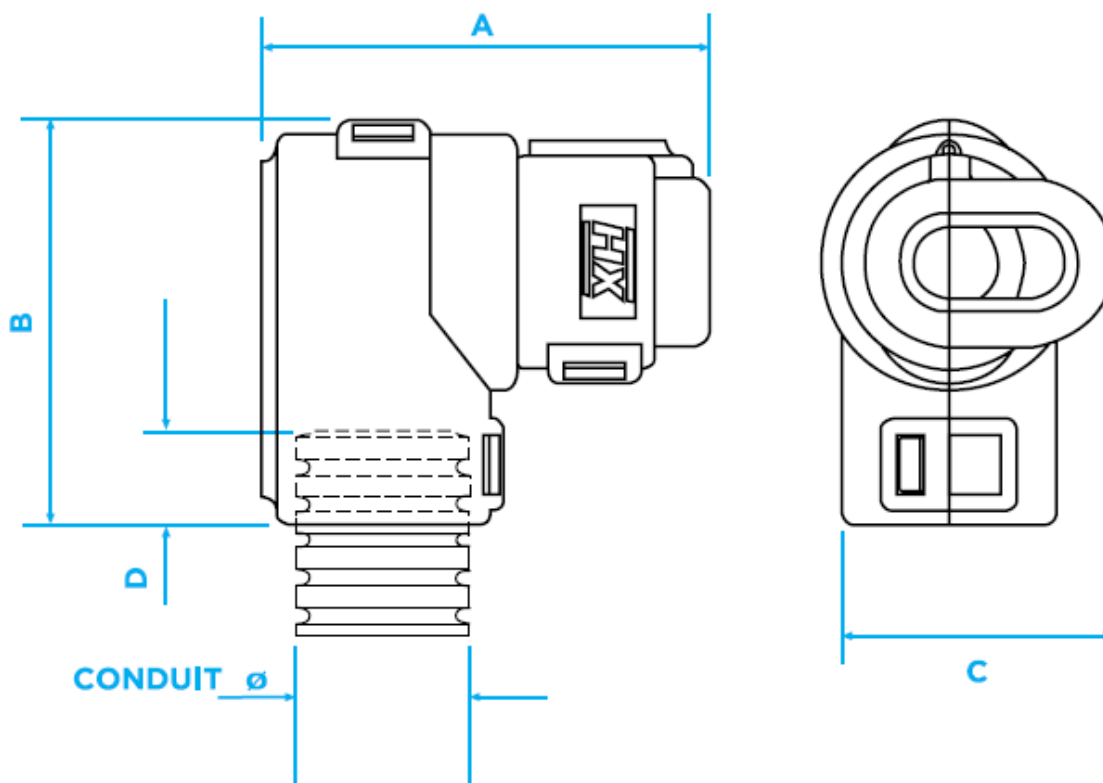
## BOSCH Compact Connector Interface



### Dimensional Data & Part Number Configuration

Part No.	A	B	C	D	Conduit Size (NC)	Conduit Size (NW)	BOSCH - Reference
CI08-90-BC2	33.3	30.3	20.5	10	08	7.5	Compact 2-way
CI08-90-BC3	33.3	30.3	26.7	10	08	7.5	Compact 3-way
CI08-90-BC4	37.0	30.3	33.0	10	08	7.5	Compact 4-way
CI12-90-BC2	33.3	30.3	20.5	10	12	10	Compact 2-way
CI12-90-BC3	33.3	30.3	26.7	10	12	10	Compact 3-way
CI12-90-BC4	37.0	30.3	33.0	10	12	10	Compact 4-way

Note : Dimensions are in mm



# Interfaces

## BOSCH Compact Connector Interface



### Chemical Resistance Chart

<b>Key:</b>  Suitable : ●  Limited Suitability : ●  Unsuitable : ●  Not Tested : ●	● Astm No.1	● Diesel oil	● Methyl Bromide	● Sulphur Dioxide (Gas)
	● Astm No.2	● Diethylamine	● MEK	● Sulphuric Acid (10%)
	● Astm No.3	● Ethanol	● Nitric Acid (10%)	● Sulphuric Acid (70%)
	● Acetic Acid (10%)	● Ether	● Nitric Acid (70%)	● Toluene
	● Acetone	● Ethylamine	● Oxalic Acid	● Transformer Oil
	● Aluminium Chloride	● Ethylene Glycol	● Ozone (Gas)	● 1,1,1-Trichloroethane
	● Aniline	● Ethyl Ethanoate	● Paraffin oil	● Trichloroethylene
	● Benzaldehyde	● Freon 32	● Petrol	● Turpentine
	● Benzene	● Hydrochloric Acid (10%)	● Phenol	● Vegetable Oil
	● Carbon tetrachloride	● Hydrochloric Acid (36%)	● Sea Water	● Vinyl Acetate
	● Chlorine water	● Hydrogen Peroxide (35%)	● Silver Nitrate	● Water
	● Chloroform	● Hydrogen Peroxide (87%)	● Skydrol	● White Spirit
	● Citric Acid	● Lactic Acid	● Sodium Chloride	● Zinc Chloride
	● Copper Sulphate	● Lubricating oil	● Sodium Hydroxide (10%)	
	● Cresol	● Methanol	● Sodium Hydroxide (60%)	

The information above is given as a guide only and is based on published technical data and experience. The chemical resistance of the above products is dependant on factors such as chemical exposure, concentration of the chemical and temperature. The above chemicals are valid for a temperature of 23°C. Use of the above table is at the users own discretion and risk. Those using it must satisfy themselves that their application presents no health and safety risks. The end user should assess compatibility with their application and contact Thomas & Betts for further information.

ADHERENCE TO THE CURRENT WIRING REGULATIONS BS7671 OR NEC WIRING REGULATIONS (FOR USA) IS STRONGLY ADVISED.

MINIMUM BEND RADIUS FOR FLEXING IS DEPENDANT UPON MINIMUM TEMPERATURE, BENDING FREQUENCY AND CHEMICAL ENVIRONMENT.

### Storage Guidelines

To maintain balanced moisture content, Harnessflex recommends storing products under the following conditions:

<b>Storage temp.</b> 18°C to 30°C	<b>Installation temp.</b> >18°C	<b>Rel. humidity</b> >30%
--------------------------------------	------------------------------------	------------------------------

If products from an outside environment are brought into a heated processing area, the change in climate may suddenly cause temporary de-moisturisation around the edges. After 24 hours in the processing area a natural balance will be restored.

Observing this storage recommendation ensures optimum process-ability and material properties.