



Sealed Fittings

Sealed Fitting



Technical Characteristics

Conforms to	ADR Approved (with NC conduits only) CE Mark to the low voltage directive RoHS Compliant to 2011/65/EU Conforms with end of life vehicle directive (ELV) EU200/53/EC	
Approvals and Standards	  	
Degree of mechanical protection	High	
Degree of protection	IP67 IP68 (2 bar for 30 minutes)	
UV protection	Very High (Black)	
Finish	Black (BL) only	
Application	Asymmetrical 4 Junction compression type fitting providing a variety of conduit size configurations. Sealed fittings can be used with all Harnessflex conduits	
Normal operating temperature range	Minimum Temperature	Maximum Temperature
Continuous (30,000 Hours)	- 40°C	+ 120°C
Short Term (3000 Hours)	- 45°C	+ 150°C
For use with - Conduit range	For use with all solid Conduits in the Harnessflex range	
Fire performance	Self Extinguishing Low smoke toxicity & Halogen Free	
Chemical resistance & Storage data	Click or See page 4	
Type of material	Polyamide (Nylon) PA 66 - heat and UV stabilised	

Image



Note: Order fitting bodies, cap nuts and sealing and washers separately - See page 2 & 3 for part numbers.

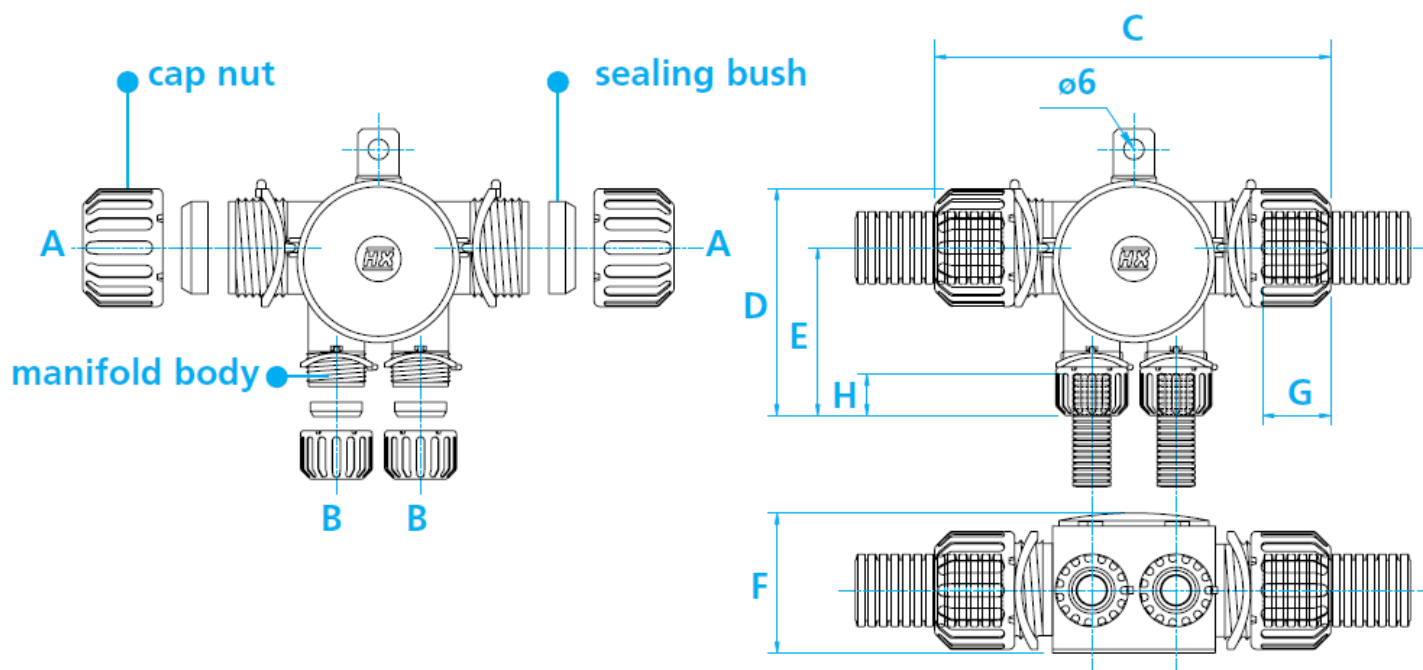
Sealed Fittings

Sealed Fitting



Dimensional Data & Part Number Configuration

Part Number	Cap Nut	Cap Nut	Sealing Bush	Sealing Bush	Conduit Size (NC)		Conduit Size (NW)		Dimensions (mm)					
					A	B	A	B	C	D	E	F	G	H
TPM2512	CN21	CN07	SRN21	SRN07	25	10	22	8.5	105	74	55	40	21	17
TPM2512	CN21	CN09	SRN21	SRN09	25	12	22	10	105	74	55	40	21	17
TPM2512	CN28	CN07	SRN28	SRN11	28	10	23	8.5	105	74	55	40	21	17
TPM2512	CN28	CN09	SRN28	SRN16	28	12	23	10	105	74	55	40	21	17



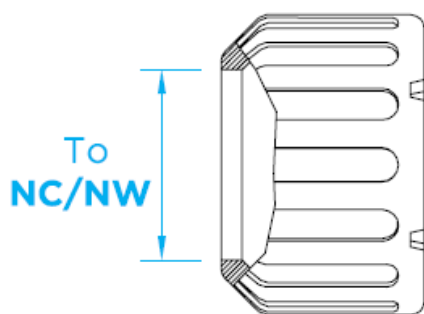
Sealed Fittings

Sealed Fitting

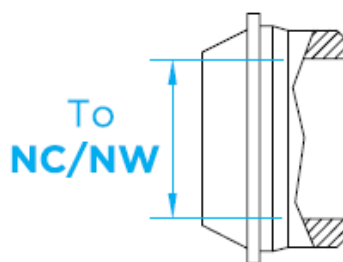


Dimensional Data & Part Number Configuration

Cap Nut Part Number	Seal Part Number	From Conduit Size		To Conduit Size	
		NC	NW	NC	NW
CN09-08	RSB12-08	12	10	8	7.5
CN11-08	RSB16-08	16	13	8	7.5
CN11-12	RSB16-12	16	13	12	10
CN16-08	RSB20-08	20	17	8	7.5
CN16-12	RSB20-12	20	17	12	10
CN16-16	RSB20-16	20	17	16	13
CN21-12	RSB25-12	25	22	12	10
CN21-16	RSB25-16	25	22	16	13
CN21-20	RSB25-20	25	22	20	17
CN21-12	RSB28-12	28	23	12	10
CN21-16	RSB28-16	28	23	16	13
CN21-20	RSB28-20	28	23	20	17
CN32-20	RSB32-20	32	29	20	17
CN32-25	RSB32-25	32	29	25	22
CN32-28	RSB32-28	32	29	28	23



CAP NUT



SEAL

Cap Nuts & Bushes ordered separately

Sealed Fittings

Sealed Fitting



Chemical Resistance Chart

Key: Suitable : ● Limited Suitability : ● Unsuitable : ● Not Tested : ●	● Astm No.1	● Diesel oil	● Methyl Bromide	● Sulphur Dioxide (Gas)
	● Astm No.2	● Diethylamine	● MEK	● Sulphuric Acid (10%)
	● Astm No.3	● Ethanol	● Nitric Acid (10%)	● Sulphuric Acid (70%)
	● Acetic Acid (10%)	● Ether	● Nitric Acid (70%)	● Toluene
	● Acetone	● Ethylamine	● Oxalic Acid	● Transformer Oil
	● Aluminium Chloride	● Ethylene Glycol	● Ozone (Gas)	● 1,1,1-Trichloroethane
	● Aniline	● Ethyl Ethanoate	● Paraffin oil	● Trichloroethylene
	● Benzaldehyde	● Freon 32	● Petrol	● Turpentine
	● Benzene	● Hydrochloric Acid (10%)	● Phenol	● Vegetable Oil
	● Carbon tetrachloride	● Hydrochloric Acid (36%)	● Sea Water	● Vinyl Acetate
	● Chlorine water	● Hydrogen Peroxide (35%)	● Silver Nitrate	● Water
	● Chloroform	● Hydrogen Peroxide (87%)	● Skydrol	● White Spirit
	● Citric Acid	● Lactic Acid	● Sodium Chloride	● Zinc Chloride
	● Copper Sulphate	● Lubricating oil	● Sodium Hydroxide (10%)	
	● Cresol	● Methanol	● Sodium Hydroxide (60%)	

The information above is given as a guide only and is based on published technical data and experience. The chemical resistance of the above products is dependant on factors such as chemical exposure, concentration of the chemical and temperature. The above chemicals are valid for a temperature of 23°C. Use of the above table is at the users own discretion and risk. Those using it must satisfy themselves that their application presents no health and safety risks. The end user should assess compatibility with their application and contact Thomas & Betts for further information.

ADHERENCE TO THE CURRENT WIRING REGULATIONS BS7671 OR NEC WIRING REGULATIONS (FOR USA) IS STRONGLY ADVISED.

MINIMUM BEND RADIUS FOR FLEXING IS DEPENDANT UPON MINIMUM TEMPERATURE, BENDING FREQUENCY AND CHEMICAL ENVIRONMENT.

Storage Guidelines

To maintain balanced moisture content, Harnessflex recommends storing products under the following conditions:

Storage temp.	Installation temp.	Rel. humidity
18°C to 30°C	>18°C	>30%

If products from an outside environment are brought into a heated processing area, the change in climate may suddenly cause temporary de-moisturisation around the edges. After 24 hours in the processing area a natural balance will be restored.

Observing this storage recommendation ensures optimum process-ability and material properties.