



TempGuard - Hinged Fittings

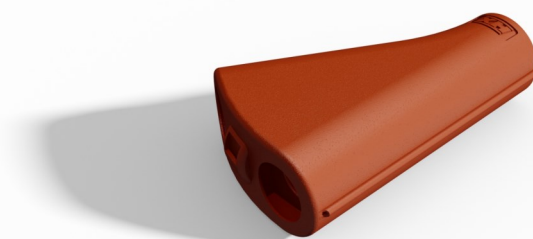
Type YPH - Hinged Y-Piece



Technical Characteristics

Conforms to	CE mark to the Low voltage directive RoHS Compliant End of Life Vehicle Directive (ELV) EU 2000/53/EC			
Approvals and Standards	 			
Degree of mechanical protection	High			
Degree of ingress protection	IP40 - Hinged fittings			
UV protection	Medium			
Finish	Dark Orange			
Application	One piece asymmetrical 3 junction fittings allow a variety of conduit variations. These fittings are designed to snap together over all types of slit and un-slit conduits, thus maintaining maximum internal bore.			
Normal operating temperature range	Minimum Temperature	Permanent Max Temperature	Long Term Max Temperature (30,000 Hrs)	Short Term Max Temperature (3000 Hrs)
	-40°C	+160°C	+185°C	+200°C
For use with - Conduit range	Full TempGuard system protection is achieved using these fittings with HTC conduit. Compatible with all Harnessflex conduits.			
Fire Performance	Test Standard	Performance Rating		
	UL94	V2		
	UL94 RTI	150 (Elec)		
Chemical resistance & Storage data	Click or See page 8			
Type of material	High Temperature Polyamide - Low Smoke & Halogen Free			

Image



TempGuard - Hinged Fittings

Type YPH - Hinged Y-Piece

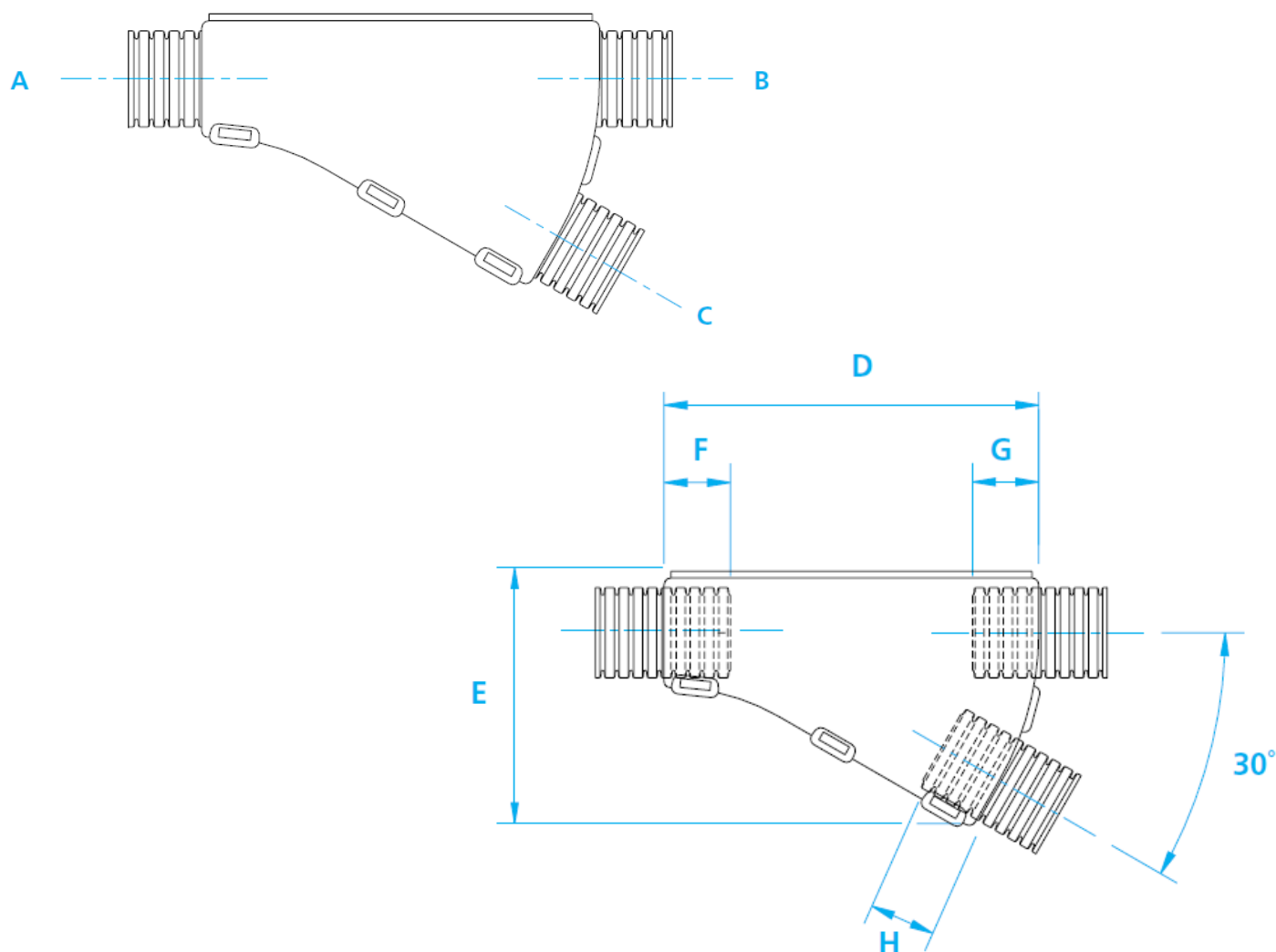


Dimensional Data & Part Number Configuration

Series	Part No * Stocked Items	Nominal Conduit Size						Nominal Dimensions (mm)				
		(NC)			(NW)			D	E	F	G	H
		A	B	C	A	B	C					
08Y												
	YPH080808	08	08	08	7.5	7.5	7.5	55	37	10	10	10
12Y												
	YPH120808	12	08	08	10	7.5	7.5	55	37	10	10	10
	YPH120810	12	08	10	10	7.5	8.5	55	37	10	10	10
	YPH121208	12	12	08	10	10	7.5	55	37	10	10	10
	YPH121212	12	12	12	10	10	10	55	37	10	10	10

* Part numbers listed are stocked items available for immediate order

** Parts numbers listed are available to order but not stocked items, and would therefore be subject to manufacturing leadtime.



TempGuard - Hinged Fittings

Type YPH - Hinged Y-Piece

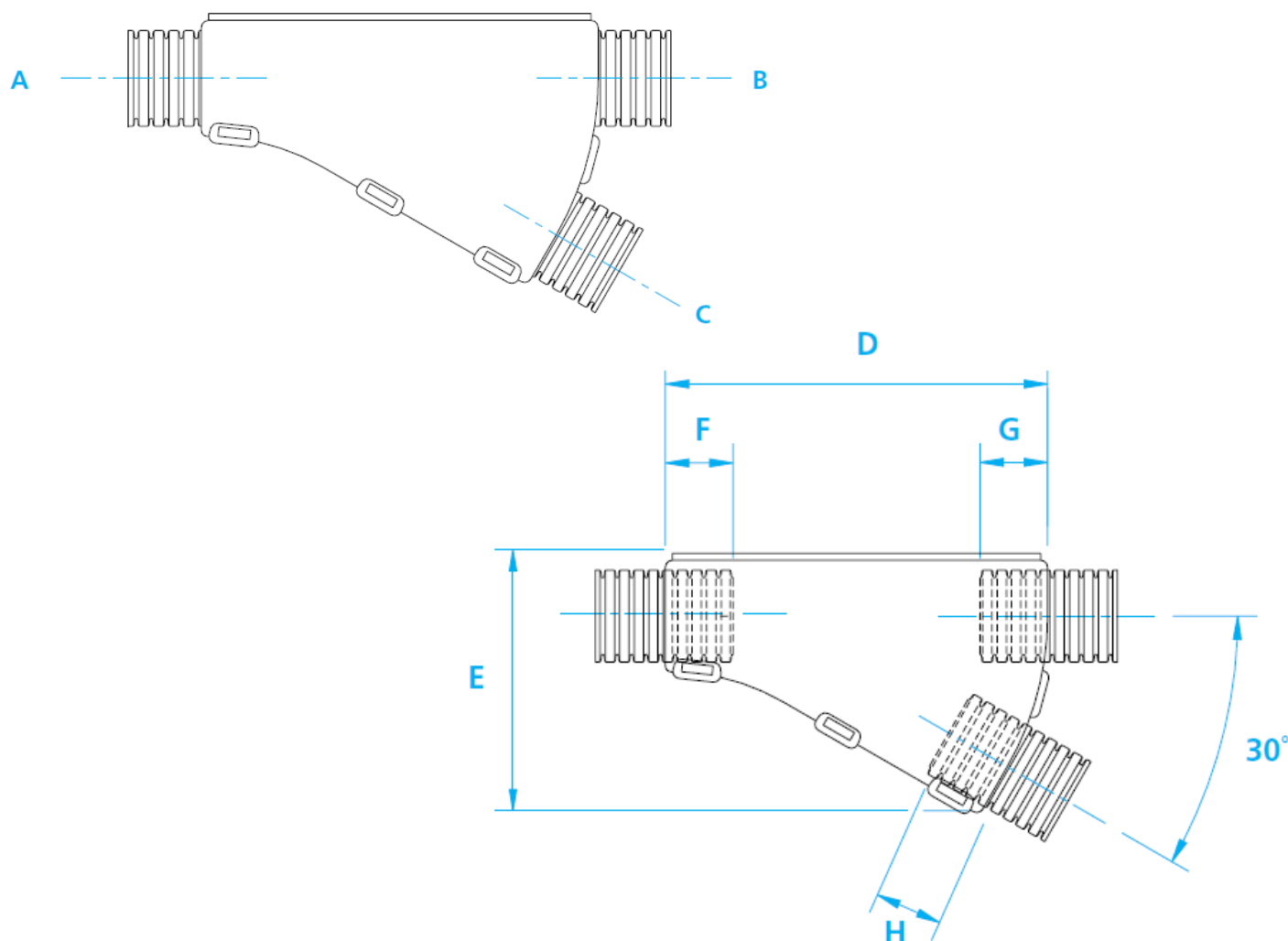


Dimensional Data & Part Number Configuration

Series	Part No * Stocked Items	Nominal Conduit Size						Nominal Dimensions (mm)				
		(NC)			(NW)			D	E	F	G	H
		A	B	C	A	B	C					
16Y												
	YPH161208	16	12	08	13	10	7.5	55	40	10	10	10
	YPH161212	16	12	12	13	10	10	55	40	10	10	10
	YPH161608	16	16	08	13	13	7.5	55	40	10	10	10
	YPH161612	16	16	12	13	13	10	55	40	10	10	10

* Part numbers listed are stocked items available for immediate order

** Parts numbers listed are available to order but not stocked items, and would therefore be subject to manufacturing leadtime.



TempGuard - Hinged Fittings

Type YPH - Hinged Y-Piece

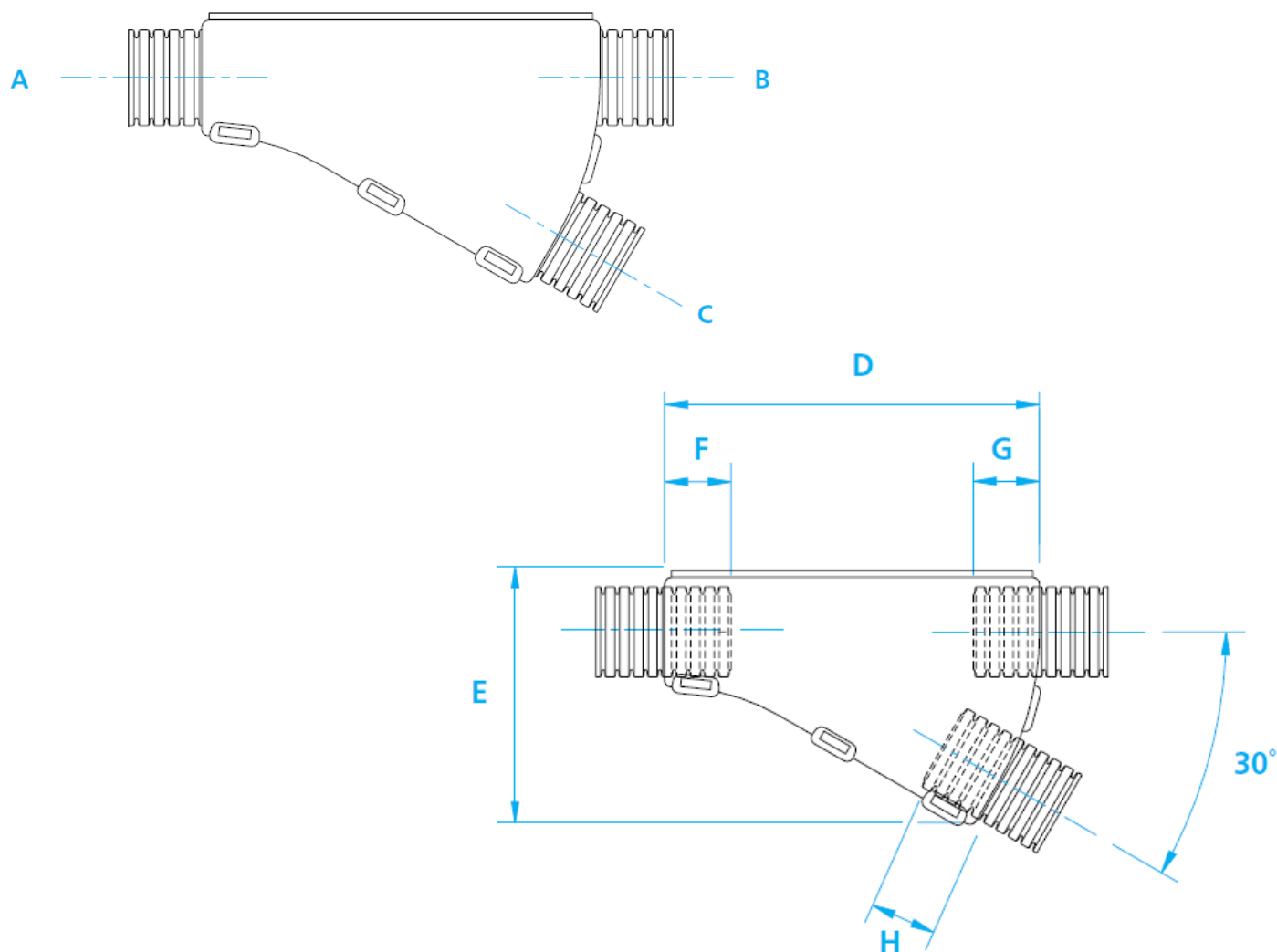


Dimensional Data & Part Number Configuration

Series	Part No * Stocked Items	Nominal Conduit Size						Dimensions (mm)				
		(NC)			(NW)			D	E	F	G	H
		A	B	C	A	B	C					
20Y												
	YPH201212	20	12	12	17	10	10	43	37	12	10	10
	YPH201616	20	16	16	17	13	13	48	40	12	10	10
	YPH202008	20	20	08	17	17	7.5	56	45	12	10	10
	YPH202012	20	20	12	17	17	10	58	45	12	12	10
	YPH202016	20	20	16	17	17	13	64	48	12	12	10

* Part numbers listed are stocked items available for immediate order

** Parts numbers listed are available to order but not stocked items, and would therefore be subject to manufacturing leadtime.



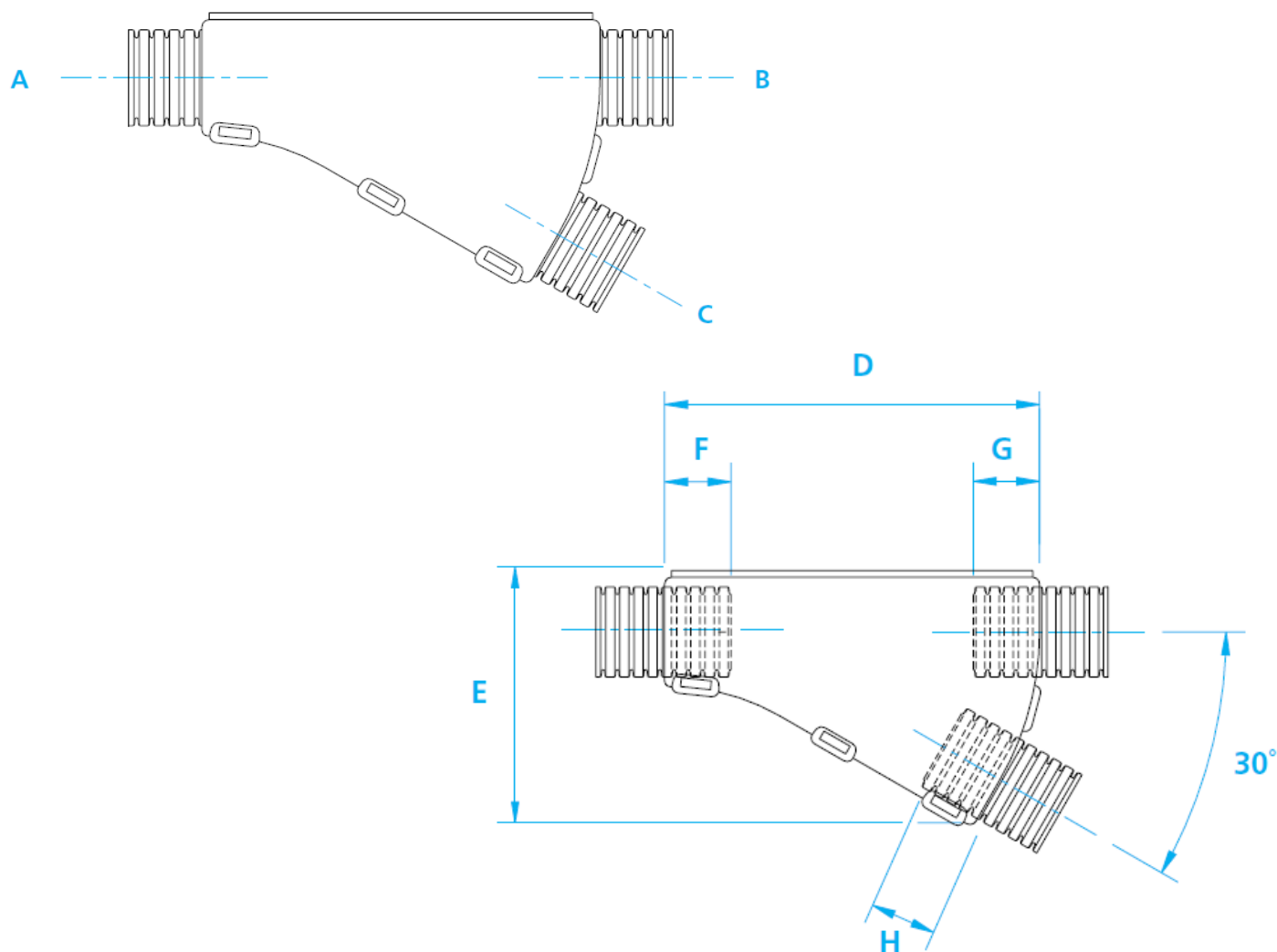
TempGuard - Hinged Fittings

Type YPH - Hinged Y-Piece



Dimensional Data & Part Number Configuration

Series	Part No ** Made to Order	Nominal Conduit Size						Dimensions (mm)				
		(NC)			(NW)			D	E	F	G	H
		A	B	C	A	B	C					
08Y												
	YPH080812	08	08	12	7.5	7.5	10	55	37	10	10	10
	YPH081208	08	12	08	7.5	1.0	7.5	55	37	10	10	10
10Y												
	YPH101010	10	10	10	8.5	8.5	8.5	55	37	10	10	10
12Y												
	YPH121010	12	10	10	10	8.5	8.5	55	37	10	10	10
	YPH121010	12	10	10	10	8.5	8.5	55	37	10	10	10
	YPH121210	12	12	10	10	10	8.5	55	37	10	10	10



TempGuard - Hinged Fittings

Type YPH - Hinged Y-Piece

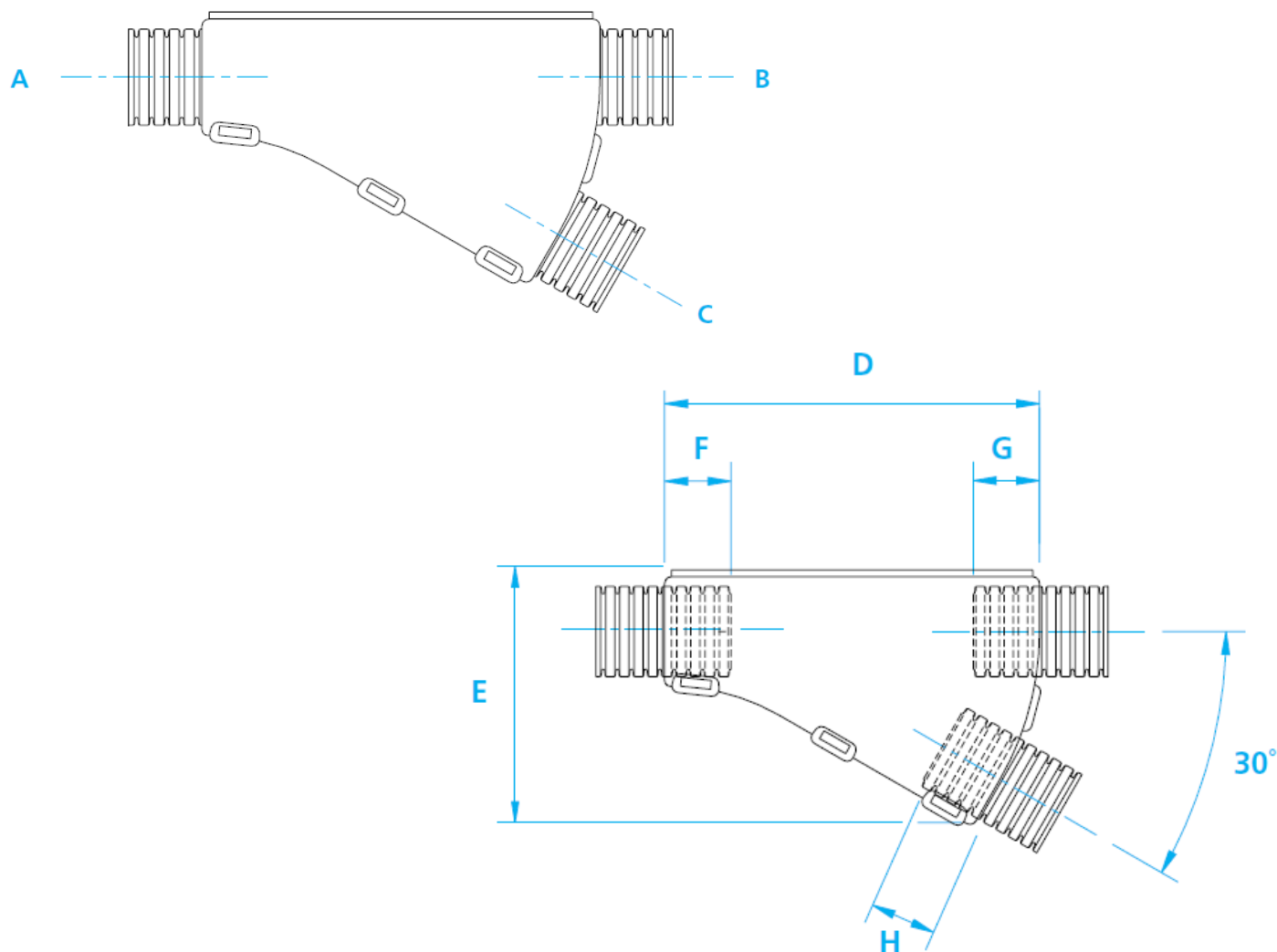


Dimensional Data & Part Number Configuration

Series	Part No ** Made to Order	Nominal Conduit Size						Dimensions (mm)				
		(NC)			(NW)			D	E	F	G	H
		A	B	C	A	B	C					
16Y												
	YPH161010	16	10	10	13	8.5	8.5	55	40	10	10	10
	YPH161210	16	12	10	13	10	8.5	55	40	10	10	10
	YPH161610	16	16	10	13	13	8.5	55	40	10	10	10

* Part numbers listed are stocked items available for immediate order

** Parts numbers listed are available to order but not stocked items, and would therefore be subject to manufacturing leadtime.



TempGuard - Hinged Fittings

Type YPH - Hinged Y-Piece

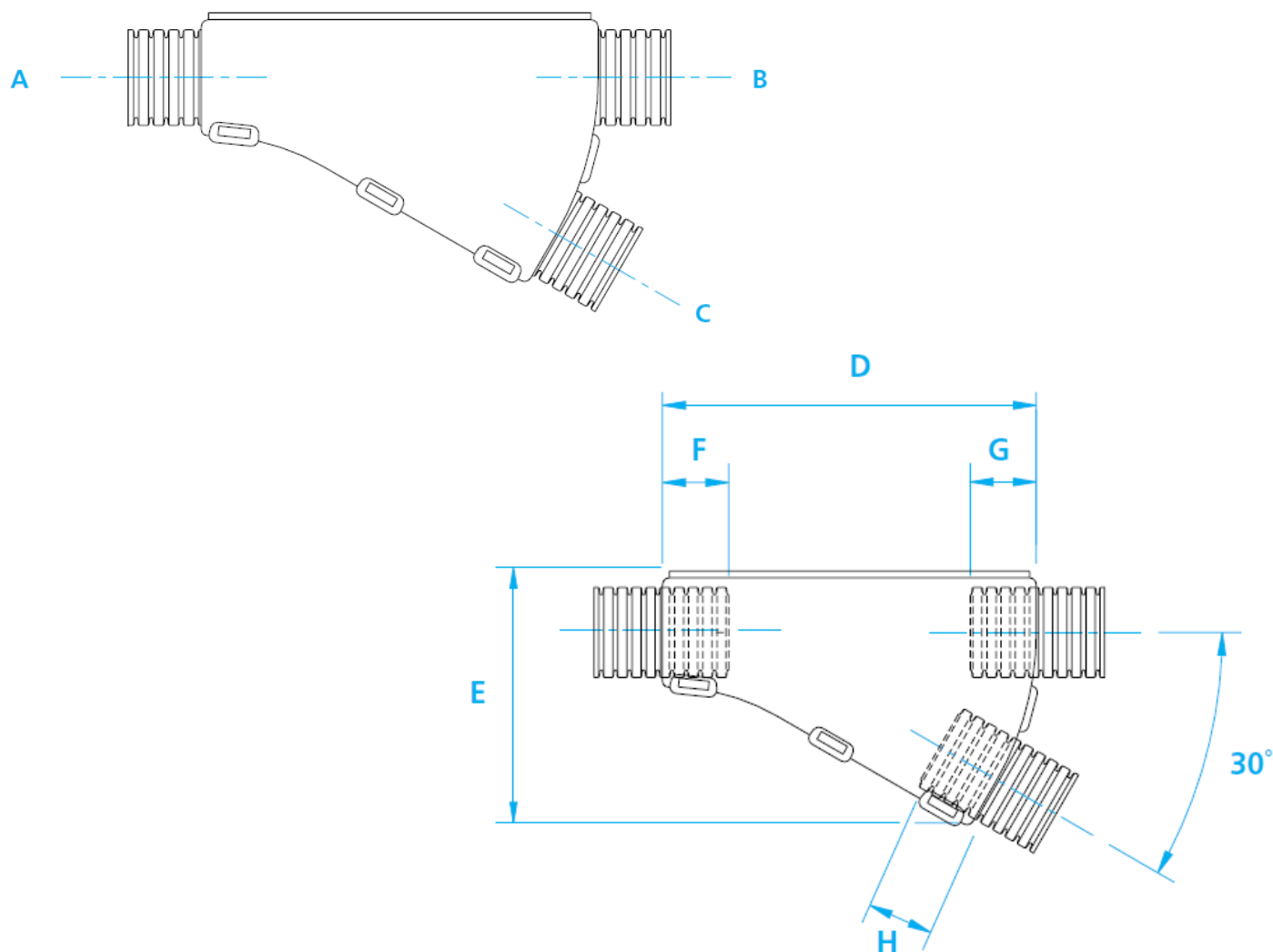


Dimensional Data & Part Number Configuration

Series	Part No ** Made to Order	Conduit Size						Dimensions (mm)				
		(NC)			(NW)			D	E	F	G	H
		A	B	C	A	B	C					
20Y												
	YPH200808	20	08	08	17	7.5	7.5	43	37	12	10	10
	YPH201208	20	12	08	17	10	7.5	43	37	12	10	10
	YPH201210	20	12	10	17	10	8.5	43	37	12	10	10
	YPH201608	20	16	08	17	13	7.5	43	37	12	10	10
	YPH201612	20	16	12	17	13	10	48	40	12	10	10
	YPH202010	20	20	10	17	17	8.5	58	45	12	12	10

* Part numbers listed are stocked items available for immediate order

** Parts numbers listed are available to order but not stocked items, and would therefore be subject to manufacturing leadtime.



TempGuard - Hinged Fittings

Type YPH - Hinged Y-Piece



Chemical Resistance Chart

Key: Suitable : ● Limited Suitability : ● Unsuitable : ● Not Tested : ●	● Astm No.1	● Diesel oil	● Methyl Bromide	● Sulphur Dioxide (Gas)
	● Astm No.2	● Diethylamine	● MEK	● Sulphuric Acid (10%)
	● Astm No.3	● Ethanol	● Nitric Acid (10%)	● Sulphuric Acid (70%)
	● Acetic Acid (10%)	● Ether	● Nitric Acid (70%)	● Toluene
	● Acetone	● Ethylamine	● Oxalic Acid	● Transformer Oil
	● Aluminium Chloride	● Ethylene Glycol	● Ozone (Gas)	● 1,1,1-Trichloroethane
	● Aniline	● Ethyl Ethanoate	● Paraffin oil	● Trichloroethylene
	● Benzaldehyde	● Freon 32	● Petrol	● Turpentine
	● Benzene	● Hydrochloric Acid (10%)	● Phenol	● Urea
	● Carbon tetrachloride	● Hydrochloric Acid (36%)	● Sea Water	● Uric Acid
	● Chlorine water	● Hydrogen Peroxide (35%)	● Silver Nitrate	● Vegetable Oil
	● Chloroform	● Hydrogen Peroxide (87%)	● Skydrol	● Vinyl Acetate
	● Citric Acid	● Lactic Acid	● Sodium Chloride	● Water
	● Copper Sulphate	● Lubricating oil	● Sodium Hydroxide (10%)	● White Spirit
	● Cresol	● Methanol	● Sodium Hydroxide (60%)	● Zinc Chloride

The information above is given as a guide only and is based on published technical data and experience. The chemical resistance of the above products is dependant on factors such as chemical exposure, concentration of the chemical and temperature. The above chemicals are valid for a temperature of 23°C. Use of the above table is at the users own discretion and risk. Those using it must satisfy themselves that their application presents no health and safety risks. The end user should assess compatibility with their application and contact Thomas & Betts for further information.

ADHERENCE TO THE CURRENT WIRING REGULATIONS BS7671 OR NEC WIRING REGULATIONS (FOR USA) IS STRONGLY ADVISED.

MINIMUM BEND RADIUS FOR FLEXING IS DEPENDANT UPON MINIMUM TEMPERATURE, BENDING FREQUENCY AND CHEMICAL ENVIRONMENT.

Storage Guidelines

To maintain balanced moisture content, Harnessflex recommends storing products under the following conditions:

Storage temp. 18°C to 30°C	Installation temp. >18°C	Rel. humidity >30%
--------------------------------------	------------------------------------	------------------------------

If products from an outside environment are brought into a heated processing area, the change in climate may suddenly cause temporary de-moisturisation around the edges. After 24 hours in the processing area a natural balance will be restored.

Observing this storage recommendation ensures optimum process-ability and material properties.